

PRODUCT INFORMATION PACKET

marathon[®]
Motors

Model No: 056T34F99028
Catalog No: K238A
2,3600,TEFC,56J,3/60/230/460
Jet Pump



Regal and Marathon are trademarks of Regal Beloit Corporation or one of its affiliated companies.
©2018 Regal Beloit Corporation, All Rights Reserved. MC017097E

REGAL[®]



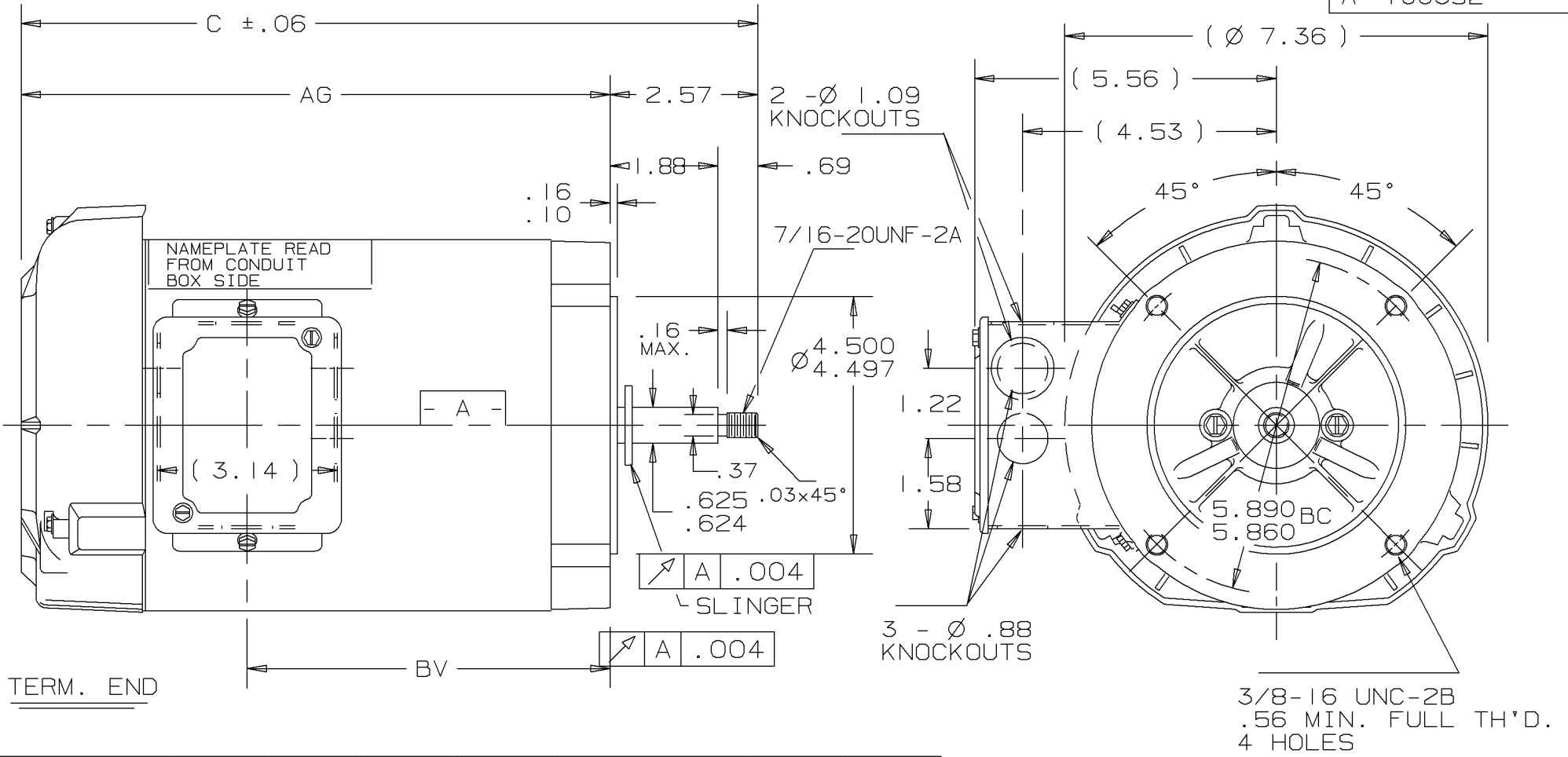
Nameplate Specifications

Output HP	2 Hp	Output KW	1.5 kW
Frequency	60 Hz	Voltage	230/460 V
Current	5.0/2.5 A	Speed	3450 rpm
Service Factor	1.25	Phase	3
Efficiency	85.5 %	Duty	Continuous
Insulation Class	F	Design Code	B
KVA Code	K	Frame	56J
Enclosure	Totally Enclosed Fan Cooled	Overload Protector	No
Ambient Temperature	40 °C	Drive End Bearing Size	6205
Opp Drive End Bearing Size	6203	UL	Recognized
CSA	Y	CE	Y
IP Code	43		

Technical Specifications

Electrical Type	Squirrel Cage Induction Run	Starting Method	Across The Line
Poles	2	Rotation	Reversible
Mounting	Round	Motor Orientation	HORIZONTAL
Drive End Bearing	BALL	Opp Drive End Bearing	BALL
Frame Material	Rolled Steel	Shaft Type	J
Overall Length	14.82 in	Frame Length	9.06 in
Shaft Diameter	0.625 in	Shaft Extension	2.57 in
Assembly/Box Mounting	F1 ONLY		
Outline Drawing	A-100352-906	Connection Diagram	EE7308

This is an uncontrolled document once printed or downloaded and is subject to change without notice. Date Created: 10/30/2018



DASH	FR.	C	AG	BV	DASH	FR.	C	AG	BV
606	56-60	11.82	9.25	5.31	806	56-80	13.82	11.25	7.31
656	"-65	12.32	9.75	5.81	856	"-85	14.32	11.75	7.81
706	"-70	12.82	10.25	6.31	906	"-90	14.82	12.25	8.31
756	"-75	13.32	10.75	6.81	956	"-95	15.32	12.75	8.81

NOTES:
CONDUIT BOX CAN BE ROTATED 180°

		125 SURFACE ROUGHNESS UNLESS NOTED OTHERWISE		UNLESS OTHERWISE SPECIFIED DIMENSIONS ARE IN INCHES TOL ON XX±.03 XXX±.005 XXXX±.0005 ANGLES± 1°			
		MATL SPEC		NEMA JET PUMP		DRAWN BY GK	10-2-89
2	3-20-90	REISSUE SLINGER ADDED		FINISH		CHKD BY	
1	10-2-89	NEW DRAWING		PART NAME OUTLINE		APPD BY	
REV	DATE	CHANGE		NAME			DRWG NO
				56 FR - BB - TEFC - C-FACE - 3Ø			A- 100352



NO.	REVISION	BY & DATE	CHK	ANG	TOLERANCES UNLESS SPECIFIED		FINISH	DRAWN RM 11/20/1990				
					DEC.	INCHES						
5	CHG TO REGAL LOGO	SL 09/10/2015	AB					CHK ML 11/21/1990				
4	REVISED IEC NOTATIONS	MSG 11/15/2011	CMN	.X	±.1			APPD SAS 04/24/2003				
3	ADDED IEC NOTATIONS... (U1), (V1) ETC. MU95194	MSG 5/10/2010	MJS	.XX	±.02		TITLE CONNECTION DIAGRAM	SCALE 1=1				
2	ADDED THE OPTIONAL CORD CONNECTION MU46318	RDH 04/24/2003	DRS	.XXX	±.005		3Ø - DUAL VOLTAGE MOTOR	REF				
1	REDRAWN	RM 11/20/1990		.XXXX	±.0005		MAT'L.	FMF				
THIS DRAWING IN DESIGN AND DETAIL IS OUR PROPERTY AND MUST NOT BE USED EXCEPT IN CONNECTION WITH OUR WORK ALL RIGHTS OF DESIGN AND INVENTION ARE RESERVED THIS IS AN ELECTRONICALLY GENERATED DOCUMENT - DO NOT SCALE THIS PRINT							RFP	CAD FILE ee7308	SIZE A	DRAWING NO. EE7308	PAGE OF 5	REV. 5
							DIST WP					



P.O. BOX 8003
WAUSAU, WI 54401-8003
PH. 715-675-3311

DATA VOLTS: 460

CERTIFICATION DATA SHEET

CUSTOMER P.O. #:
 ORDER #: EE7308 REFERENCE MODEL #: 56T34F99028
 CONN. DIAGRAM: A-100352-906 CAT #: K238A
 OUTLINE: ZT2142 FR 3 CUSTOMER PART #:
 WINDING: MOUNTING: F1 ONLY
 SPEED:
 TYPICAL MOTOR PERFORMANCE DATA

HP	KW	SYNC RPM	FL RPM	FRAME	ENCLOSURE	TYPE	KVA CODE	DESIGN
2	1.5	3600	3500	56J	TEFC	TFR	K	B

PH	HZ	VOLTS	AMPS	START TYPE	DUTY	INSL	S.F.	AMB	ELEV.
3	60/50	230/460#190/380	5/2.5&4.6/2.3	ACROSS-THE LINE	CONT	F	1.15	40	3300
	F.L. EFF	85.5	3/4 LD EFF	85.9	1/2 LD EFF	84.0	GTD EFF	ELECT. TYPE	
	F.L. PF	86.0	3/4 LD PF	82.0	1/2 LD PF	72.5	84.0	SQ CAGE IND RUN	

F.L. TORQUE	LR AMPS @ 460 V	L.R. TORQUE	B.D. TORQUE	F.L. RISE (°C)
3.0 LB-FT	21.7	9.5 LB-FT	12.2 LB-FT	407%
@ 3 FT.	POWER	ROTOR WK ²	MAX. LOAD WK ²	SAFE STALL TIME
69 DBA	78 DBA	0.07 LB-FT ²	4 LB-FT ²	20 SEC.
				START/SHOUR
				2
				MOTOR WGT
				80 LB.

*** SUPPLEMENTAL INFORMATION ***

DE BRACKET TYPE	ODE BRACKET TYPE	MOUNT TYPE	MOTOR ORIENTATION	SEVERE DUTY	HAZARDOUS LOCATION	DRIP COVER	SCREENS	PAINT
C-FACE	STANDARD	ROUND	HORIZONTAL	NO	NONE	NO	NONE	GRAY (POWDER)

BEARINGS	GREASE	SHAFT TYPE	SPECIAL DE	SPECIAL ODE	SHAFT MATERIAL	FRAME MATERIAL
DE BALL 6205	POLYREX EM	JET PUMP	NONE	NONE	303 STAINLESS (C-501)	ROLLED STEEL

THERMOSTATS	PROTECTORS	WDG RTD's	BRG RTD's	THERMISTORS	CONTROL	SPACE HEATERS
NONE	NOT	NONE	NONE	NONE	FALSE	NA

R1 (ohms/ph)	R2 (ohms/ph)	X1 (ohms/ph)	X2 (ohms/ph)	Xm (ohms/ph)	VIBRATION (in/sec)	FLOAT
4.402	3.124	6.532	5.538	208.74	0.150	ODE

* N O T E S		INVERTER TORQUE: NONE	INV. HP SPEED RANGE: NONE
		ENCODER: NONE	
		BRAKE: NONE	
		FT-LB: NA	
		VOLTAGE: NONE	
			NONE PPR

PREPARED BY: FAREEDA DUDEKULA
 DATE: 9/17/2018
 FORM: 3531 REV 4 2/27/06
 UL: V-INS, CONST UL REC
 HZ:

Data Sheet

Date: 9/17/2018

Customer: _____
Attention: _____

Submitted by: FAREEDA DUDEKULA



56134F99028

Submital

Data @ 460 V

Motor Load Data

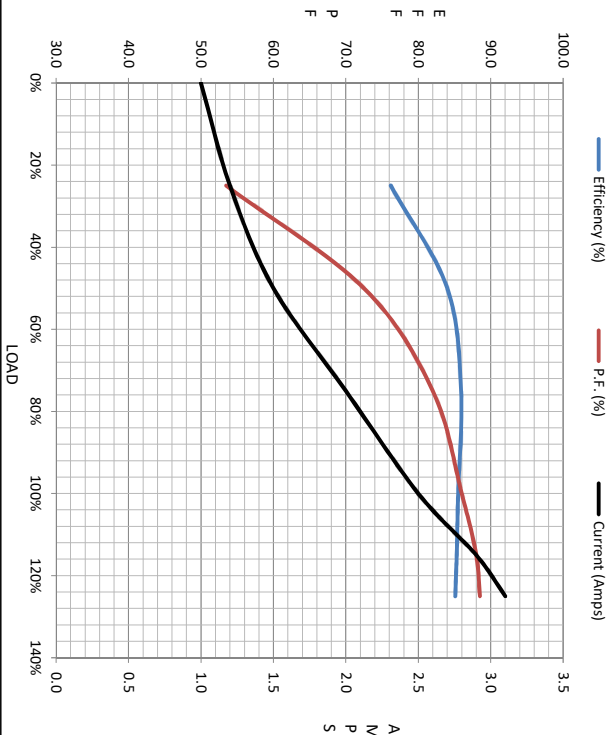
Load	0%	25%	50%	75%	100%	115%	125%	LR
Current (Amps)	1.00	1.20	1.50	2.00	2.50	2.90	3.1	21.7
Torque (ft-lb)	0.00	0.74	1.48	2.23	3.0	3.5	3.8	9.5
RPM	3600	3575	3550	3525	3500	3,485	3470	0
Efficiency (%)		76.2	84.0	85.9	85.5	85.3	85.1	
P.F. (%)	20.0	53.5	72.5	82.0	86.0	88.0	88.5	42.0

Motor Speed Data

	LR	Pull-Up	BD	Rated	Idle
Speed (RPM)	0	1500	2615	3600	3600
Current (Amps)	21.7	20.5	14.5	2.50	1.00
Torque (ft-lb)	9.5	9.4	12.2	3.0	0.00

Information Block

HP	2.0			
Sync. RPM	3600			
Frame	1451B2TFC6080			
Enclosure	TEFC			
Construction	TFR			
Voltage	230/460#190/380 V			
Frequency	60 Hz			
Design	B			
LR Code letter	K			
Service Factor	1.15			
Temp Rise @ FL	36 °C			
Duty	CONT			
Ambient	40 °C			
Elevation	1,000 feet			
Rotor/Shaft wk ²	0.07 Lb-Ft ²			
Ret Wdg	ZT2142 FR			
Sound Pressure @ 1M	69 dBA			
VFD Rating	NONE			
Outline Dwg	A-100352-906			
Conn. Diag	EE7308			
Additional Specifications:				
0				
0				
	EQUIV CKT (OHMS / PHASE)			
R1	R2	X1	X2	Xm
4.4020	3.1240	6.5320	5.5380	208.7400



Speed - Torque Curve

