

# PRODUCT INFORMATION PACKET

**marathon**<sup>®</sup>  
Motors

Model No: 056T34F99018  
Catalog No: J064A  
1 1/2,3600,TEFC,56J,3/60/230/460  
Jet Pump



Regal and Marathon are trademarks of Regal Beloit Corporation or one of its affiliated companies.  
©2018 Regal Beloit Corporation, All Rights Reserved. MC017097E

**REGAL**<sup>®</sup>



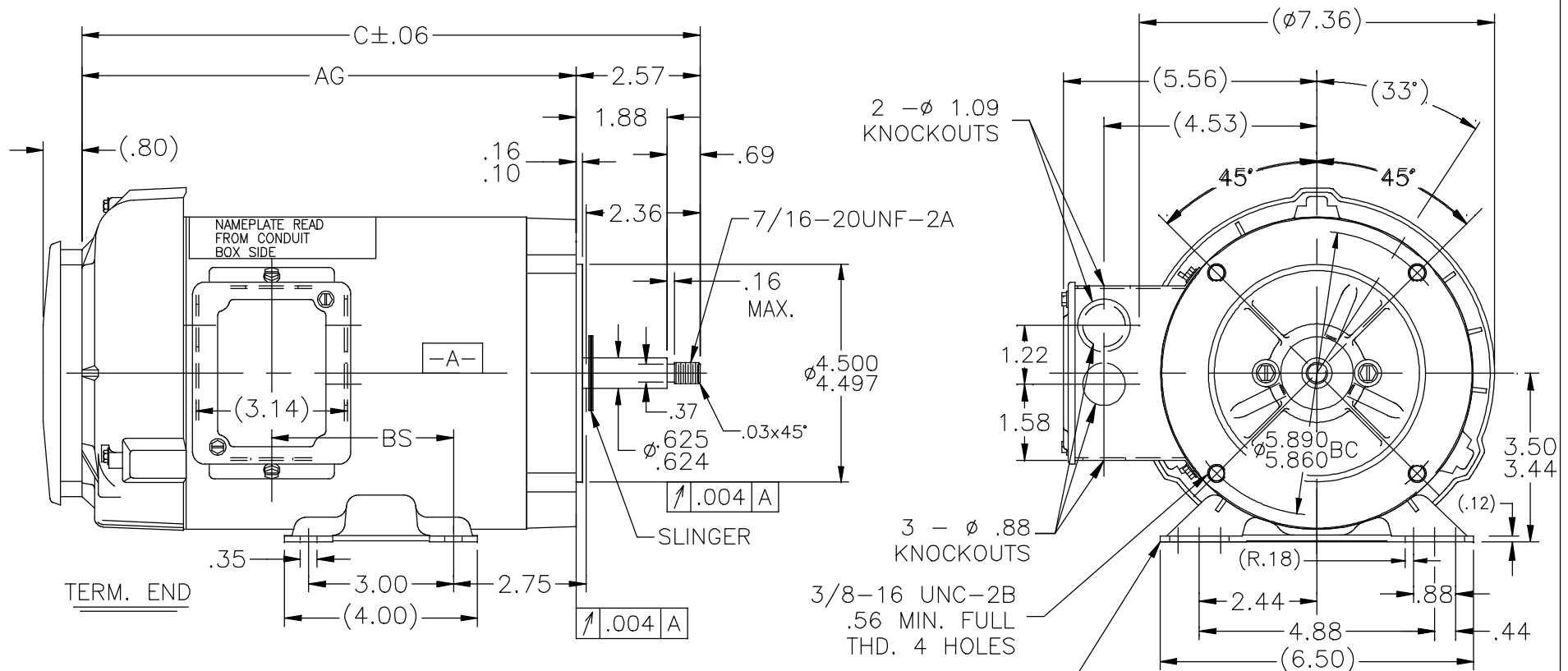
### Nameplate Specifications

Output HP	1.50 Hp	Output KW	1.1 kW
Frequency	60 Hz	Voltage	208-230/460 V
Current	4.2-4.0/2.0 A	Speed	3450 rpm
Service Factor	1.15	Phase	3
Efficiency	84 %	Duty	Continuous
Insulation Class	B	Design Code	B
KVA Code	M	Frame	56J
Enclosure	Totally Enclosed Fan Cooled	Overload Protector	No
Ambient Temperature	40 °C	Drive End Bearing Size	6203
Opp Drive End Bearing Size	6203	UL	Recognized
CSA	Y	CE	Y
IP Code	43		

### Technical Specifications

Electrical Type	Squirrel Cage Induction Run	Starting Method	Across The Line
Poles	2	Rotation	Reversible
Mounting	Rigid base	Motor Orientation	Horizontal
Drive End Bearing	Ball	Opp Drive End Bearing	Ball
Frame Material	Rolled Steel	Shaft Type	J
Overall Length	13.82 in	Frame Length	8.06 in
Shaft Diameter	0.625 in	Shaft Extension	2.57 in
Assembly/Box Mounting	F1 Only		
Outline Drawing	A-100771-806	Connection Diagram	A-EE7308

This is an uncontrolled document once printed or downloaded and is subject to change without notice. Date Created: 07/02/2018



DASH	C	AG	BS
606	11.82	9.25	2.78
656	12.32	9.75	3.28
706	12.82	10.25	3.78
806	13.82	11.25	4.78

DRAWING REVISION F	REVISION BY SRK	DATE 04/05/2016
ECO ECO-0099775	APPROVED BY PVR	DATE 04/05/2016
ECO DESCRIPTION ADDED DASH #806		

COPYRIGHT REGAL BELOIT AMERICA, INC. ALL RIGHTS RESERVED.  
 PROPRIETARY AND CONFIDENTIAL INFORMATION - THIS DOCUMENT IS THE PROPERTY OF  
 REGAL BELOIT AMERICA, INC. ("OWNER") AND CONTAINS OWNER'S PROPRIETARY  
 INFORMATION. ANY PERSON, CORPORATION OR OTHER FIRM RECEIVING IT IS DEEMED  
 BY RECEIVING IT, TO AGREE THAT IT, AND/OR ANY PART OF IT, SHALL NOT BE DISCLOSED  
 TO ANY PERSON, CORPORATION OR OTHER ENTITY, DUPLICATED, AND/OR USED, EXCEPT  
 AS EXPRESSLY APPROVED IN WRITING IN ADVANCE BY OWNER. THIS DOCUMENT SHALL  
 BE RETURNED TO OWNER UPON REQUEST. IT MAY BE SUBJECT TO CERTAIN  
 RESTRICTIONS UNDER APPLICABLE EXPORT CONTROL LAWS AND REGULATIONS.

TOLERANCES UNLESS OTHERWISE SPECIFIED			
DEC.	INCH	mm	ANGLE
.X	±0.1	[±2.5]	±0.5°
.XX	±0.02	[±0.51]	
.XXX	±0.005	[±0.127]	
.XXXX	±0.0005	[±0.0127]	
REMOVE BURRS & BREAK SHARP EDGES .003/.015 [0.076/.381]			
CORNER FILLETS .02 [.51]			
MACHINED SURFACES $\sqrt{125}$ INCH $\sqrt{3.2}$ mm			
mm SHOWN IN [BRACKETS]			

DRAWN BY: DJK
DATE: 06/28/1993
APPROVED BY: MJ
DATE: 06/29/1993
REFERENCE
THIRD ANGLE PROJECTION

<b>REGAL</b> ™ Regal Beloit America, Inc.	
DESCRIPTION	OUTLINE
56 FR.-BB-TEFC-C' FACE-3 PHASE-(DIST.)	
MATERIAL	PROCESS/FINISH
SIZE DWG NO	100771
SHEET	1

NOTES: CONDUIT BOX CAN BE ROT. 180°



NO.	REVISION	BY & DATE	CHK	ANG	TOLERANCES UNLESS SPECIFIED		FINISH	DRAWN RM	ML	APPD	SAS	SCALE	REF	FMF	PREV
					DEC.	INCHES									
5	CHG TO REGAL LOGO	SL 09/10/2015	AB					11/20/1990							
4	REVISED IEC NOTATIONS	MSG 11/15/2011	CMN	.X	±.1										
3	ADDED IEC NOTATIONS... (U1), (V1) ETC. MU95194	MSG 5/10/2010	MJS	.XX	±.02										
2	ADDED THE OPTIONAL CORD CONNECTION MU46318	RDH 04/24/2003	DRS	.XXX	±.005										
1	REDRAWN	RM 11/20/1990		.XXXX	±.0005										
THIS DRAWING IN DESIGN AND DETAIL IS OUR PROPERTY AND MUST NOT BE USED EXCEPT IN CONNECTION WITH OUR WORK ALL RIGHTS OF DESIGN AND INVENTION ARE RESERVED THIS IS AN ELECTRONICALLY GENERATED DOCUMENT - DO NOT SCALE THIS PRINT							RFP	CAD FILE ee7308	SIZE	DRAWING NO.	PAGE	OF	REV.		
							DIST WP		A	EE7308				5	



Uncontrolled Copy

\*\* Subject to change without notice.