

PRODUCT INFORMATION PACKET

marathon®
Motors

Model No: 056T34F5346

Catalog No: J065

2 HP General Purpose Pump Motor, 3 phase, 3600 RPM, 208-230/460 V, 56J Frame, TEFC
General Purpose Pump Three Phase Motors



Regal and Marathon are trademarks of Regal Beloit Corporation or one of its affiliated companies.
©2019 Regal Beloit Corporation, All Rights Reserved. MC017097E

REGAL



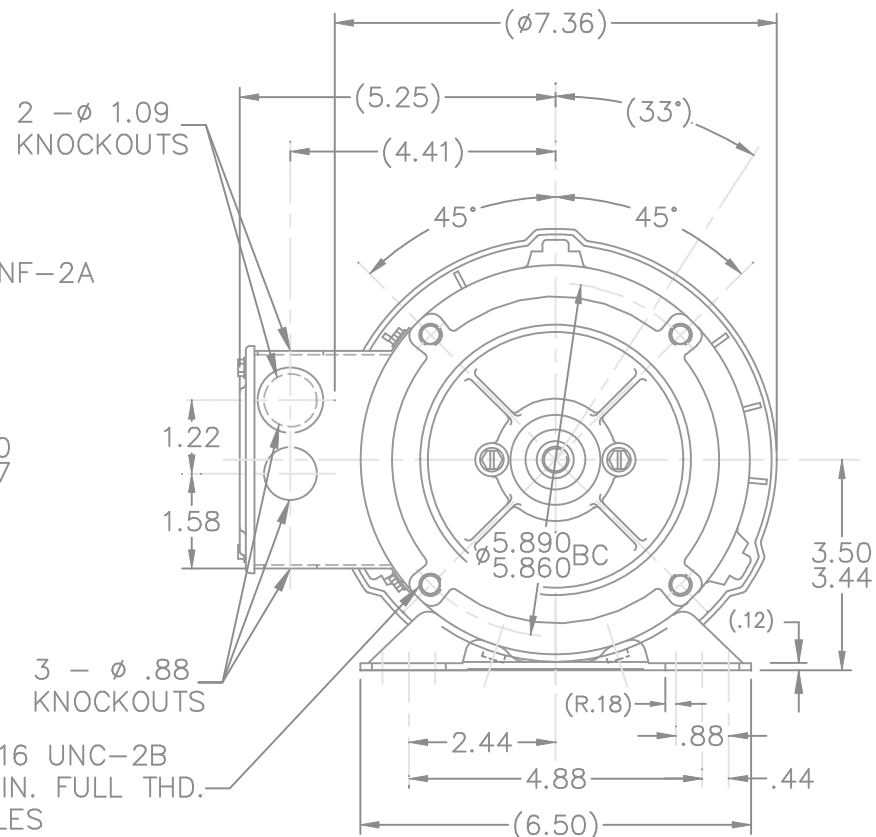
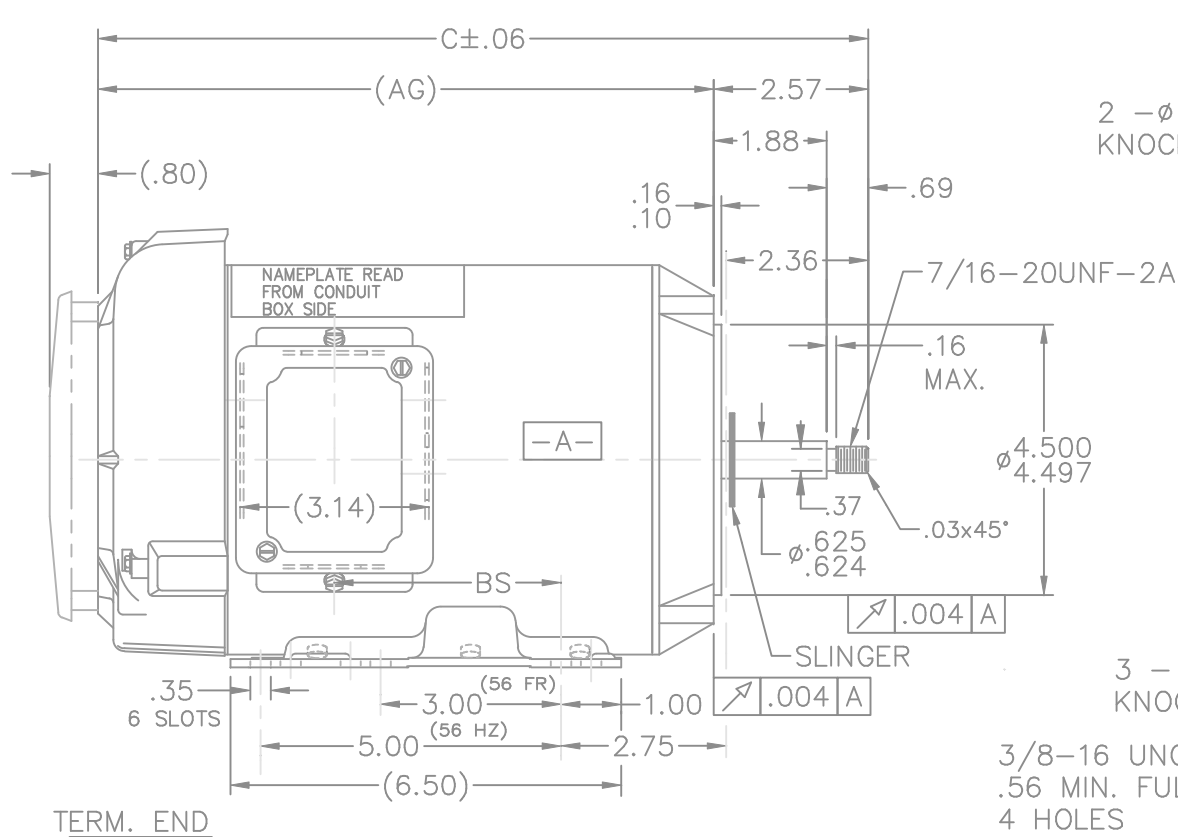
Nameplate Specifications

Output HP	2 Hp	Output KW	1.5 kW
Frequency	60 Hz	Voltage	208-230/460 V
Current	6.0-6.0/3.0 A	Speed	3450 rpm
Service Factor	1.15	Phase	3
Efficiency	80 %	Power Factor	76.5
Duty	Continuous	Insulation Class	B
Design Code	B	KVA Code	L
Frame	56J	Enclosure	Totally Enclosed Fan Cooled
Thermal Protection	No	Ambient Temperature	40 °C
Drive End Bearing Size	6203	Opp Drive End Bearing Size	6203
UL	Recognized	CSA	Y
CE	Y	IP Code	43

Technical Specifications

Electrical Type	Squirrel Cage Induction Run	Starting Method	Across The Line
Poles	2	Rotation	Reversible
Resistance Main	7.7 Ohms	Mounting	Rigid Base
Motor Orientation	Horizontal Or Shaft Down	Drive End Bearing	Ball
Opp Drive End Bearing	Ball	Frame Material	Rolled Steel
Shaft Type	J	Overall Length	12.82 in
Frame Length	7.06 in	Shaft Diameter	0.625 in
Shaft Extension	1.88 in	Assembly/Box Mounting	F1 Only

This is an uncontrolled document once printed or downloaded and is subject to change without notice. Date Created:01/11/2019



DASH	FRAME	C	AG	BS
606	56-60	11.82	9.25	2.78
656	"-65	12.32	9.75	3.28
706	"-70	12.82	10.25	3.78
806	"-80	13.82	11.25	4.78

NOTES: CONDUIT BOX CAN BE ROTATED 180°
REMOVABLE BASE

			TOLERANCES UNLESS SPECIFIED			DRAWN KL 08-10-1993					
NO.	REVISION	BY & DATE	CHK	ANG		SCALE	5=16				
5	UPDATED DRAWING	RJW 03-28-2007	DEC.	INCHES	TITLE OUTLINE 56 FR.-BB-TEFC-C' FACE-3ø (DIST.) MAT'L. FINISH	CHK	ML 08-11-1993				
4	REDRAWN IN AUTOCAD	TAT 07-13-2004	ML	.X ±.1		APPD	MJ 08-13-1993				
3	REVISED PER CN 16588	KL 11-05-1993		.XX ±.03		SCALE	5=16				
2	ADDED PHANTOM DRIPCOVER & SLINGER CN 16315	KL 09-29-1993		.XXX ±.005		REF					
1	NEW DRAWING 4041690	KL 08-16-1993		.XXXX ±.0005		FMF					
			RFP		FINISH	PREV					
THIS DRAWING IN DESIGN AND DETAIL IS OUR PROPERTY AND MUST NOT BE USED EXCEPT IN CONNECTION WITH OUR WORK ALL RIGHTS OF DESIGN AND INVENTION ARE RESERVED THIS IS AN ELECTRONICALLY GENERATED DOCUMENT - DO NOT SCALE THIS PRINT			DIST	WP	CAD FILE	100801	SIZE	DRAWING NO.	PAGE	OF	REV.
							A	100801			5

