

PRODUCT INFORMATION PACKET

marathon[®]
Motors

Model No: 056T34F5344
Catalog No: J063
1,3450,TEFC,56J,3/60/208-230/460
Three Phase



Regal and Marathon are trademarks of Regal Beloit Corporation or one of its affiliated companies.
©2018 Regal Beloit Corporation, All Rights Reserved. MC017097E

REGAL[®]



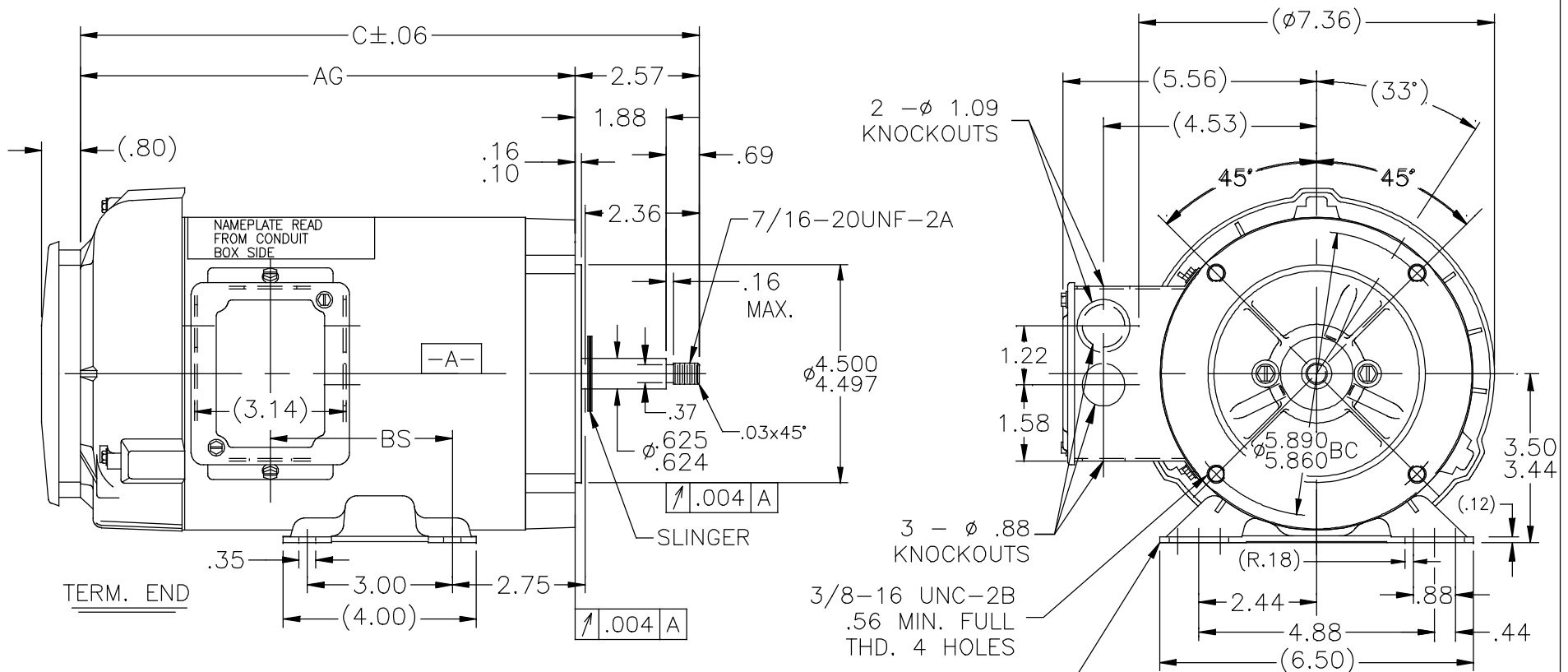
Nameplate Specifications

Output HP	1 Hp	Output KW	0.75 kW
Frequency	60 Hz	Voltage	208-230/460 V
Current	3.7-3.7/1.9 A	Speed	3450 rpm
Service Factor	1.15	Phase	3
Efficiency	74 %	Duty	Continuous
Insulation Class	B	Design Code	B
KVA Code	M	Frame	56J
Enclosure	Totally Enclosed Fan Cooled	Overload Protector	No
Ambient Temperature	40 °C	Drive End Bearing Size	6203
Opp Drive End Bearing Size	6203	UL	Recognized
CSA	Y	CE	Y
IP Code	43		

Technical Specifications


Electrical Type	Squirrel Cage Induction Run	Starting Method	Across The Line
Poles	2	Rotation	Reversible
Mounting	Rigid base	Motor Orientation	HORIZONTAL
Drive End Bearing	BALL	Opp Drive End Bearing	BALL
Frame Material	Rolled Steel	Shaft Type	J
Overall Length	12.32 in	Frame Length	6.56 in
Shaft Diameter	0.625 in	Shaft Extension	2.57 in
Assembly/Box Mounting	F1 ONLY		
Outline Drawing	A-100771-656	Connection Diagram	A-EE7308

This is an uncontrolled document once printed or downloaded and is subject to change without notice. Date Created: 10/30/2018



DASH	C	AG	BS
606	11.82	9.25	2.78
656	12.32	9.75	3.28
706	12.82	10.25	3.78
806	13.82	11.25	4.78

NOTES: CONDUIT BOX CAN BE ROT. 180°

DRAWING REVISION F		REVISION BY SRK		DATE 04/05/2016		TOLERANCES UNLESS OTHERWISE SPECIFIED		DRAWN BY: DJK		 Regal Beloit America, Inc.	
ECO		APPROVED BY PVR		DATE 04/05/2016		DEC. INCH mm ANGLE		DATE: 06/28/1993			
ECO-0099775						.X ±0.1 [±2.5] ±0.5°		APPROVED BY: MJ		DESCRIPTION	
ECO DESCRIPTION						.XX ±0.02 [±0.51]		DATE: 06/29/1993		OUTLINE	
ADDED DASH #806						.XXX ±0.005 [±0.127]		REFERENCE		56 FR.-BB-TEFC-C' FACE-3 PHASE-(DIST.)	
COPYRIGHT REGAL BELOIT AMERICA, INC. ALL RIGHTS RESERVED. PROPRIETARY AND CONFIDENTIAL INFORMATION - THIS DOCUMENT IS THE PROPERTY OF REGAL BELOIT AMERICA, INC. ("OWNER") AND CONTAINS OWNER'S PROPRIETARY INFORMATION. ANY PERSON, CORPORATION OR OTHER FIRM RECEIVING IT IS DEEMED BY RECEIVING IT, TO AGREE THAT IT, AND/OR ANY PART OF IT, SHALL NOT BE DISCLOSED TO ANY PERSON, CORPORATION OR OTHER ENTITY, DUPLICATED, AND/OR USED, EXCEPT AS EXPRESSLY APPROVED IN WRITING IN ADVANCE BY OWNER. THIS DOCUMENT SHALL BE RETURNED TO OWNER UPON REQUEST. IT MAY BE SUBJECT TO CERTAIN RESTRICTIONS UNDER APPLICABLE EXPORT CONTROL LAWS AND REGULATIONS.						.XXXX ±0.0005 [±0.0127]		MATERIAL		PROCESS/FINISH	
						REMOVE BURRS & BREAK SHARP EDGES .003/.015 [0.076/.381]		SIZE DWG NO		SHEET	
						CORNER FILLETS .02 [.51]		MACHINED SURFACES		100771	
						INCH ¹²⁵ / mm ^{3.2}		THIRD ANGLE PROJECTION			
						mm SHOWN IN [BRACKETS]					



NO.	REVISION	BY & DATE	CHK	ANG	TOLERANCES UNLESS SPECIFIED		FINISH	DRAWN RM 11/20/1990				
					DEC.	INCHES						
5	CHG TO REGAL LOGO	SL 09/10/2015	AB					CHK ML 11/21/1990				
4	REVISED IEC NOTATIONS	MSG 11/15/2011	CMN	.X	±.1			APPD SAS 04/24/2003				
3	ADDED IEC NOTATIONS... (U1), (V1) ETC. MU95194	MSG 5/10/2010	MJS	.XX	±.02		TITLE CONNECTION DIAGRAM	SCALE 1=1				
2	ADDED THE OPTIONAL CORD CONNECTION MU46318	RDH 04/24/2003	DRS	.XXX	±.005		3Ø - DUAL VOLTAGE MOTOR	REF				
1	REDRAWN	RM 11/20/1990		.XXXX	±.0005		MAT'L.	FMF				
					±'7'30"			PREV				
THIS DRAWING IN DESIGN AND DETAIL IS OUR PROPERTY AND MUST NOT BE USED EXCEPT IN CONNECTION WITH OUR WORK ALL RIGHTS OF DESIGN AND INVENTION ARE RESERVED THIS IS AN ELECTRONICALLY GENERATED DOCUMENT - DO NOT SCALE THIS PRINT							RFP	CAD FILE ee7308	SIZE A	DRAWING NO. EE7308	PAGE OF 5	REV. 5
							DIST WP					

CERTIFICATION DATA SHEET

Model#: 56T34F5342 D WINDING#: ZT206 FR 3
 CONN. DIAGRAM: A-EE7308 ASSEMBLY: F1 ONLY
 OUTLINE: A-100771-656

TYPICAL MOTOR PERFORMANCE DATA

HP	KW	SYNC. RPM	F.L. RPM	FRAME	ENCLOSURE	KVA CODE	DESIGN
1/2&1/3	.37&0.25	3600	3450&2850	56J	TEFC	P	B

PH	Hz	VOLTS	FL AMPS	START TYPE	DUTY	INSL	S.F	AMB°C	ELEVATION
3	60/50	208- 230/460#190/ 380	2- 2.2/1.1&1.85/ 92	ACROSS THE LINE	CONTINUOU S	B3	1.15/1.15	40	3300

FULL LOAD EFF: 66&67.5	3/4 LOAD EFF: 64.5	1/2 LOAD EFF: 56.5	GTD. EFF	ELEC. TYPE	NO LOAD AMPS
FULL LOAD PF: 69.7&65.4	3/4 LOAD PF: 63.5	1/2 LOAD PF: 53	62	SQ CAGE IND RUN	1.4 / .7

F.L. TORQUE	LOCKED ROTOR AMPS	L.R. TORQUE	B.D. TORQUE	F.L. RISE°C
0.76 LB-FT	16 / 8	3 LB-FT 395	3.8 LB-FT 500	35

SOUND PRESSURE @ 3 FT.	SOUND POWER	ROTOR WK^2	MAX. WK^2	SAFE STALL TIME	STARTS /HOUR	APPROX. MOTOR WGT
68 dBA	78 dBA	0.02 LB-FT^2	1.5 LB-FT^2	10 SEC.	2	22 LBS.

*** SUPPLEMENTAL INFORMATION ***

DE BRACKET TYPE	ODE BRACKET TYPE	MOUNT TYPE	ORIENTATION	SEVERE DUTY	HAZARDOUS LOCATION	DRIP COVER	SCREENS	PAINT
C-FACE	STANDARD	RIGID	HORIZONTAL OR SHAFT DOWN	FALSE	NONE	TRUE	NONE	GRAY (POWDER)

BEARINGS		GREASE	SHAFT TYPE	SPECIAL DE	SPECIAL ODE	SHAFT MATERIAL	FRAME MATERIAL
DE	OPE	POLYREX EM	JET PUMP	NONE	NONE	416 STAINLESS (C-503)	ROLLED STEEL
BALL	BALL						
6203	6203						

THERMO-PROTECTORS				THERMISTORS	CONTROL	SPACE /n HEATERS
THERMOSTATS	PROTECTORS	WDG RTDs	BRG RTDs	NONE	FALSE	NONE VOLTS
NONE	NOT	NONE	NONE			

If Inverter equals NONE, contact factory for further information

INVERTER TORQUE: NONE
INV. HP SPEED RANGE: NONE
ENCODER: NONE
NONE NONE
NONE NONE PPR
BRAKE: NONE NONE
NONE P/N NONE
NONE NONE
NONE FT-LB NONE V NONE Hz

*
N
O
T
E
S
*

DATE: 06/28/2017 02:01:47 AM

Uncontrolled Copy

FORM 3531 REV.3 02/07/99
** Subject to change without notice.



Submital
Data @ 460 V

Date: 10/18/2017
Customer: EARL BABBITTS
Attention:
Submitted by:

Motor Load Data

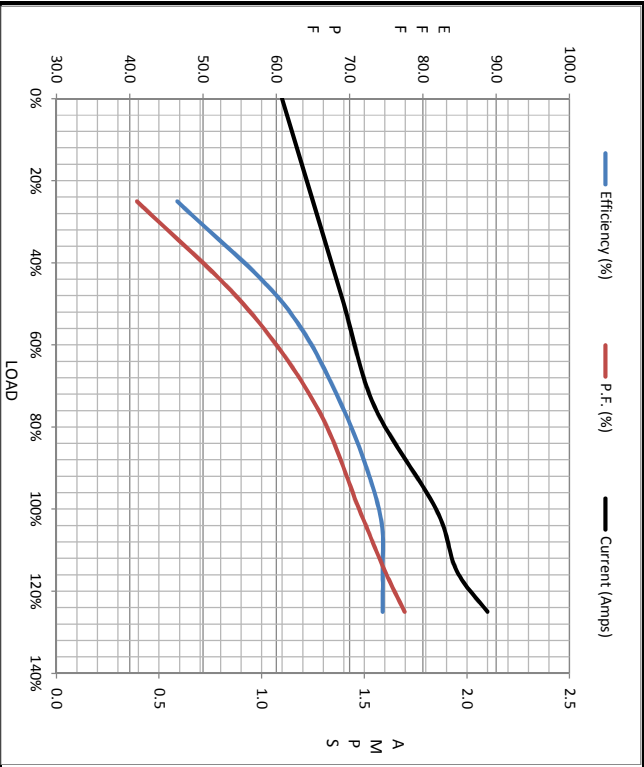
Load	0%	25%	50%	75%	100%	115%	125%	LR
Current (Amps)	1.10	1.25	1.40	1.55	1.85	1.95	2.10	14.8
Torque (ft-lb)	0.00	0.40	0.76	1.10	1.50	1.70	2.00	5.3
RPM	3600	3570	3555	3535	3515	3505	3495	0
Efficiency (%)		46.5	61.0	69.0	74.0	74.5	74.5	
P.F. (%)	22.5	41.0	55.5	65.5	71.3	74.8	77.5	0.0

Motor Speed Data

	LR	Pull-Up	BD	Rated	Idle
Speed (rpm)	0	1500	3050	3515	3600
Current (Amps)	14.8	14.0	9.0	1.85	1.10
Torque (ft-lb)	5.3	4.8	6.3	1.50	0.00

Information Block

HP	1.0
Sync. RPM	3600
Frame	56
Enclosure	TEFC
Construction	TFR
Voltage	208-230/460#190/380 V
Frequency	60 Hz
Design	B
LR Code letter	M
Service Factor	1.15
Temp Rise @ FL	45 °C
Duty	CONT
Ambient	40 °C
Elevation	1,000 feet
Rotor/Shaft wk ^e	0.03 Lb-Ft ^e
Ref Wdg	ZT204 NONE
Sound Pressure @ 1M	68 dBA
VFD Rating	NONE
Outline Dwg	A-100771-656
Conn. Diag	A-EE7308
Additional Specifications:	
0	
EQUIV CKT (OHMS / PHASE)	
R1	R2
0.0000	0.0000
X1	X2
0.0000	0.0000
Xm	
0	



Speed - Torque Curve

