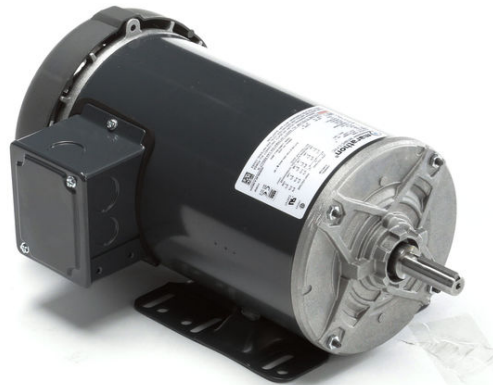


PRODUCT INFORMATION PACKET

marathon[®]
Motors

Model No: 056T34F15642
Catalog No: K168A
2,3600,TEFC,56,3/60/230/460
Totally Enclosed Fan Cooled (TEFC)



Regal and Marathon are trademarks of Regal Beloit Corporation or one of its affiliated companies.
©2018 Regal Beloit Corporation, All Rights Reserved. MC017097E

REGAL[®]



Nameplate Specifications

Output HP	2 Hp	Output KW	1.5 kW
Frequency	60 Hz	Voltage	230/460 V
Current	5.0/2.5 A	Speed	3450 rpm
Service Factor	1.15	Phase	3
Efficiency	85.5 %	Duty	Continuous
Insulation Class	B	Design Code	B
KVA Code	K	Frame	56
Enclosure	Totally Enclosed Fan Cooled	Overload Protector	No
Ambient Temperature	40 °C	Drive End Bearing Size	6205
Opp Drive End Bearing Size	6203	UL	Recognized
CSA	Y	CE	Y
IP Code	43		

Technical Specifications

Electrical Type	Squirrel Cage Induction Run	Starting Method	Across The Line
Poles	2	Rotation	Reversible
Mounting	Rigid base	Motor Orientation	HORIZONTAL
Drive End Bearing	BALL	Opp Drive End Bearing	BALL
Frame Material	Rolled Steel	Shaft Type	NEMA 56
Overall Length	14.14 in	Frame Length	9.06 in
Shaft Diameter	0.625 in	Shaft Extension	2.33 in
Assembly/Box Mounting	F1 ONLY		
Outline Drawing	A-100086-906	Connection Diagram	A-EE7308

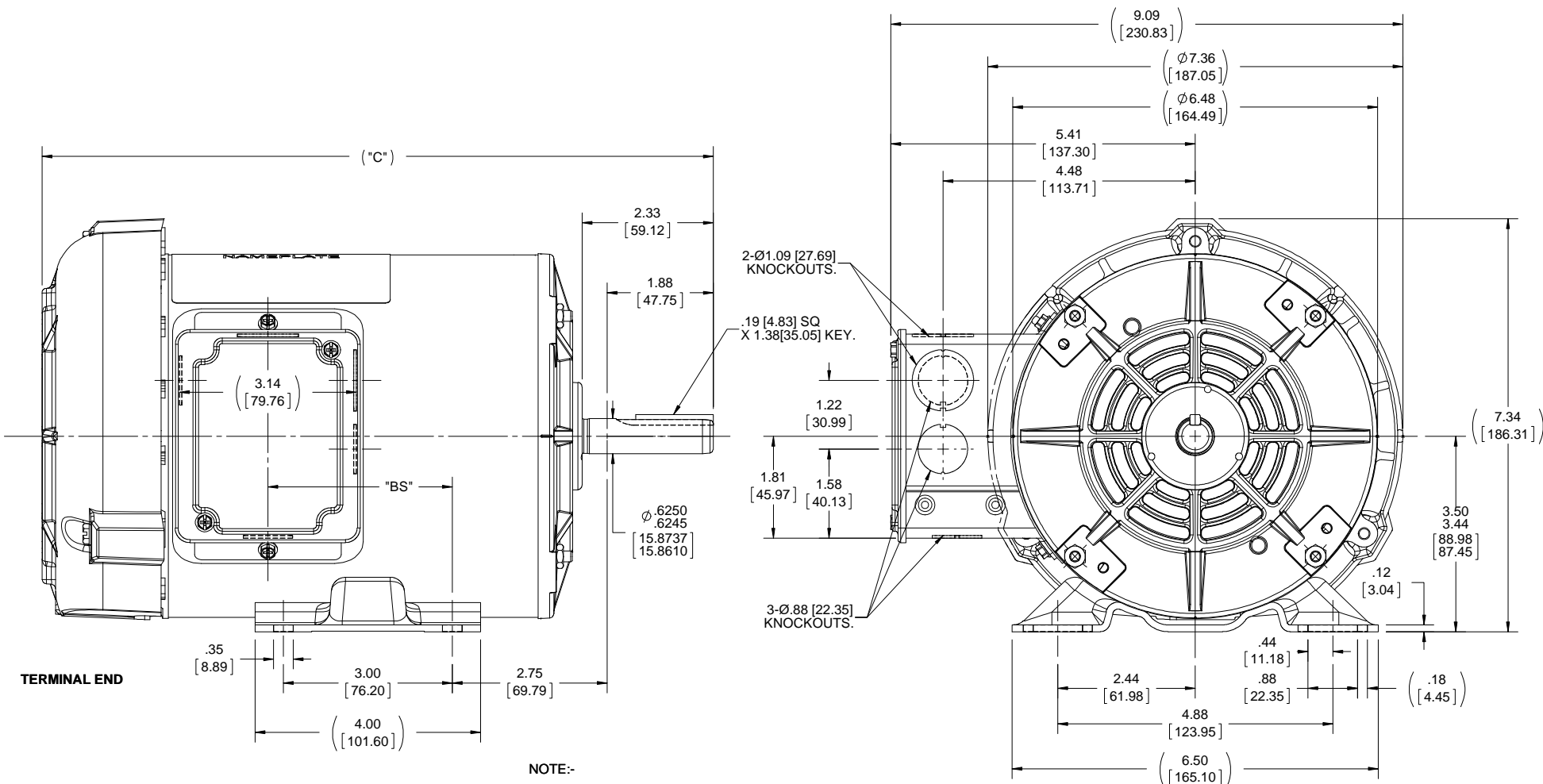
This is an uncontrolled document once printed or downloaded and is subject to change without notice. Date Created: 10/30/2018

B

B

A

A



TERMINAL END

NOTE:-

- 1) NAMEPLATE READ FROM CONDUIT BOX SIDE.
- 2) CONDUIT BOX CAN BE ROTATED IN 180° STEPS.

DASH	"C"	"BS"
606	11.41 [289.81]	2.78 [70.61]
656	11.91 [302.51]	3.28 [83.31]
706	12.41 [315.21]	3.78 [96.01]
756	12.91 [327.91]	4.28 [108.71]
806	13.41 [340.61]	4.78 [121.41]
856	13.91 [353.31]	5.28 [134.11]
906	14.41 [366.01]	5.78 [146.81]

DRAWING REVISION J	REVISION BY A SUPPANAVAR	DATE 03/29/2018
ECO ECO-0136108	APPROVED BY PST	DATE 05/18/2018
ECO DESCRIPTION OUTLINE CONVERSION PROJECT		
<small>COPYRIGHT REGAL BELOIT AMERICA, INC. ALL RIGHTS RESERVED. PROPRIETARY AND CONFIDENTIAL INFORMATION - THIS DOCUMENT IS THE PROPERTY OF REGAL BELOIT AMERICA, INC. (OWNER) AND CONTAINS OWNER'S PROPRIETARY INFORMATION. ANY PERSON, CORPORATION OR OTHER FIRM RECEIVING IT IS DEEMED, BY RECEIVING IT, TO AGREE THAT IT, AND/OR ANY PART OF IT, SHALL NOT BE DISCLOSED TO ANY PERSON, CORPORATION OR OTHER ENTITY, DUPLICATED, AND/OR USED, EXCEPT AS EXPRESSLY APPROVED IN WRITING IN ADVANCE BY OWNER. THIS DOCUMENT SHALL BE RETURNED TO OWNER UPON REQUEST. IT MAY BE SUBJECT TO CERTAIN RESTRICTIONS UNDER APPLICABLE EXPORT CONTROL LAWS AND REGULATIONS.</small>		

TOLERANCES UNLESS OTHERWISE SPECIFIED:		
DEC.	INCH	mm
.X	±0.1	[±2.5]
.XX	±0.03	[±0.76]
.XXX	±0.005	[±0.127]
.XXXX	±0.0005	[±0.0127]
REMOVE BURRS & BREAK SHARP EDGES: .003/.015 [0.076/.381] X 45°		
CORNER FILLETS: R.02 [51]		
MACHINED SURFACES: 200 INCH 5.1 mm		

DRAWN BY DJK	DATE 04-19-1993
APPROVED BY MJ	DATE 04-20-1993
REFERENCE 100086	THIRD ANGLE PROJECTION

Regal Beloit America, Inc.	
DESCRIPTION OUTLINE 56 FR.-TEFC	
MATERIAL	PROCESS/FINISH
SIZE B	DRAWING NUMBER 100086
SHEET 1 OF 1	



NO.	REVISION	BY & DATE	CHK	ANG	TOLERANCES UNLESS SPECIFIED	FINISH	PREV
5	CHG TO REGAL LOGO	SL 09/10/2015	AB	DEC.	INCHES		
4	REVISED IEC NOTATIONS	MSG 11/15/2011	CMN	.X	±.1		
3	ADDED IEC NOTATIONS... (U1), (V1) ETC. MU95194	MSG 5/10/2010	MJS	.XX	±.02		
2	ADDED THE OPTIONAL CORD CONNECTION MU46318	RDH 04/24/2003	DRS	.XXX	±.005		
1	REDRAWN	RM 11/20/1990		.XXXX	±.0005		
					±7'30"		

Regal Beloit America, Inc.		DRAWN RM 11/20/1990 CHK ML 11/21/1990 APPD SAS 04/24/2003
TITLE CONNECTION DIAGRAM 3Ø - DUAL VOLTAGE MOTOR		SCALE 1=1 REF FMF
RFP DIST WP	CAD FILE ee7308	SIZE A DRAWING NO. EE7308 PAGE OF REV. 5

THIS DRAWING IN DESIGN AND DETAIL IS OUR PROPERTY AND MUST NOT BE USED EXCEPT IN CONNECTION WITH OUR WORK ALL RIGHTS OF DESIGN AND INVENTION ARE RESERVED THIS IS AN ELECTRONICALLY GENERATED DOCUMENT - DO NOT SCALE THIS PRINT