

PRODUCT INFORMATION PACKET

marathon[®]
Motors

Model No: 056T34F15597
Catalog No: K240A
3,3600,TEFC,56J,3/60/230/460
Jet Pump



Regal and Marathon are trademarks of Regal Beloit Corporation or one of its affiliated companies.
©2018 Regal Beloit Corporation, All Rights Reserved. MC017097E

REGAL[®]



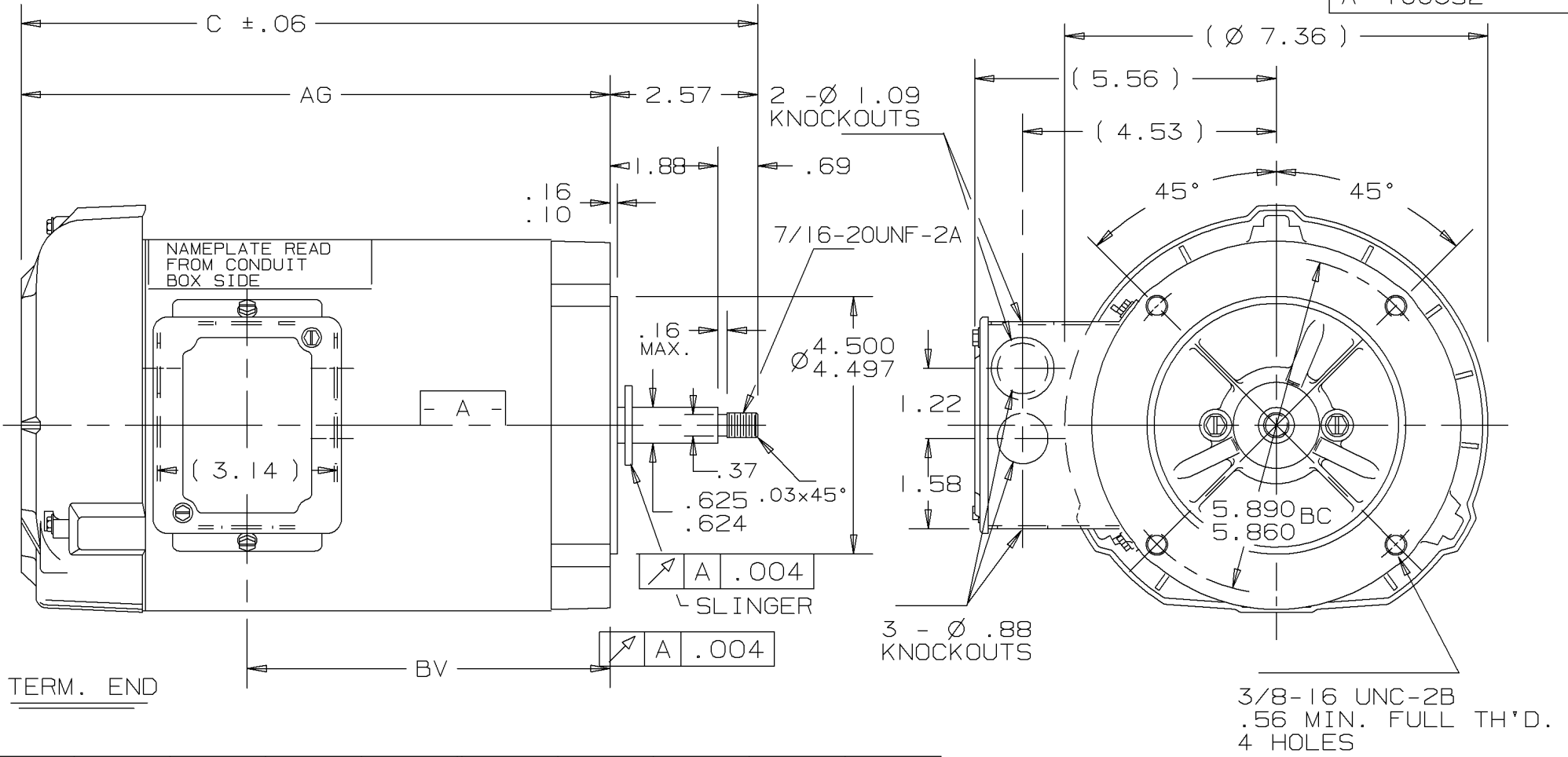
Nameplate Specifications

Output HP	3 Hp	Output KW	2.2 kW
Frequency	60 Hz	Voltage	230/460 V
Current	7.6/3.8 A	Speed	3450 rpm
Service Factor	1	Phase	3
Efficiency	87.5 %	Duty	Continuous
Insulation Class	B	Design Code	A
KVA Code	M	Frame	56J
Enclosure	Totally Enclosed Fan Cooled	Overload Protector	No
Ambient Temperature	40 °C	Drive End Bearing Size	6205
Opp Drive End Bearing Size	6203	UL	Recognized
CSA	Y	CE	Y
IP Code	43		

Technical Specifications

Electrical Type	Squirrel Cage Induction Run	Starting Method	Across The Line
Poles	2	Rotation	Reversible
Mounting	Round	Motor Orientation	HORIZONTAL
Drive End Bearing	BALL	Opp Drive End Bearing	BALL
Frame Material	Rolled Steel	Shaft Type	J
Overall Length	14.82 in	Frame Length	9.06 in
Shaft Diameter	0.625 in	Shaft Extension	2.57 in
Assembly/Box Mounting	F1 ONLY		
Outline Drawing	A-100352-906	Connection Diagram	EE7308

This is an uncontrolled document once printed or downloaded and is subject to change without notice. Date Created: 10/30/2018



DASH	FR.	C	AG	BV	DASH	FR.	C	AG	BV
606	56-60	11.82	9.25	5.31	806	56-80	13.82	11.25	7.31
656	"-65	12.32	9.75	5.81	856	"-85	14.32	11.75	7.81
706	"-70	12.82	10.25	6.31	906	"-90	14.82	12.25	8.31
756	"-75	13.32	10.75	6.81	956	"-95	15.32	12.75	8.81

NOTES:
CONDUIT BOX CAN BE ROTATED 180°

		125 SURFACE ROUGHNESS UNLESS NOTED OTHERWISE		UNLESS OTHERWISE SPECIFIED DIMENSIONS ARE IN INCHES TOL ON XX±.03 XXX±.005 XXXX±.0005 ANGLES± 1°	
2		3-20-90 REISSUE SLINGER ADDED		GK	
1		10-2-89 NEW DRAWING		GK	
REV		DATE		CHANGE	
NAME		PART NAME OUTLINE		DRWG NO	
		56 FR - BB - TEFC - C-FACE - 3Ø		A- 100352	



NO.		REVISION		BY & DATE		TOLERANCES UNLESS SPECIFIED		RFP	CAD FILE ee7308	SIZE	DRAWING NO.	PAGE OF	REV.
						DEC.	INCHES						
5	CHG TO REGAL LOGO	SL	09/10/2015	AB									
4	REVISED IEC NOTATIONS	MSG	11/15/2011	CMN	.X	±.1							
3	ADDED IEC NOTATIONS... (U1), (V1) ETC. MU95194	MSG	5/10/2010	MJS	.XX	±.02							
2	ADDED THE OPTIONAL CORD CONNECTION MU46318	RDH	04/24/2003	DRS	.XXX	±.005							
1	REDRAWN	RM	11/20/1990		.XXXX	±.0005							
					CHK	ANG	±7'30"						
THIS DRAWING IN DESIGN AND DETAIL IS OUR PROPERTY AND MUST NOT BE USED EXCEPT IN CONNECTION WITH OUR WORK ALL RIGHTS OF DESIGN AND INVENTION ARE RESERVED THIS IS AN ELECTRONICALLY GENERATED DOCUMENT - DO NOT SCALE THIS PRINT										A	EE7308		5

Regal Beloit America, Inc.

DRAWN RM 11/20/1990
 CHK ML 11/21/1990
 APPD SAS 04/24/2003
 SCALE 1=1
 REF
 FMF
 PREV



P.O. BOX 8003
WAUSAU, WI 54401-8003
PH. 715-675-3311

DATA VOLTS: 460

CERTIFICATION DATA SHEET

CUSTOMER P.O. #:
 ORDER #: EE7308 REFERENCE MODEL #: 56T34F15597
 CONN. DIAGRAM: A-100352-906 CAT #: K240A
 OUTLINE: ZT2175 FR 1 CUSTOMER PART #:
 WINDING: MOUNTING: F1 ONLY
 SPEED:
 TYPICAL MOTOR PERFORMANCE DATA

HP	KW	SYNC RPM	FL RPM	FRAME	ENCLOSURE	TYPE	KVA CODE	DESIGN
3	2.2	3600	3505	56J	TEFC	TFR	M	A

PH	HZ	VOLTS	AMPS	START TYPE	DUTY	INSL	S.F.	AMB	ELEV.
3	60	230/460	7.6/3.8	ACROSS-THE LINE	CONT	B	1.15	40	3300
F.L. EFF		87.5	3/4 LD EFF	87.9	1/2 LD EFF	85.8	GTD EFF	ELECT. TYPE	
F.L. PF		84.0	3/4 LD PF	78.4	1/2 LD PF	67.3	85.5	SQ CAGE IND RUN	

F.L. TORQUE	LR AMPS @ 460 V	L.R. TORQUE	B.D. TORQUE	F.L. RISE (°C)
4.5 LB-FT	36.9	17.3 LB-FT	22.7 LB-FT	50.4%
@ 3 FT. DBA	POWER	ROTOR WK ²	MAX. LOAD WK ²	SAFE STALL TIME
68 DBA	77 DBA	0.05 LB-FT ²	5 LB-FT ²	2
				START/SHOUR
				MOTOR WGT
				43.6 LB.

*** SUPPLEMENTAL INFORMATION ***

DE BRACKET TYPE	ODE BRACKET TYPE	MOUNT TYPE	MOTOR ORIENTATION	SEVERE DUTY	HAZARDOUS LOCATION	DRIP COVER	SCREENS	PAINT
C-FACE	STANDARD	ROUND	HORIZONTAL	NO	NONE	NO	NONE	GRAY (POWDER)

BEARINGS	GREASE	SHAFT TYPE	SPECIAL DE	SPECIAL ODE	SHAFT MATERIAL	FRAME MATERIAL
DE BALL 6205	POLYREX EM	JET PUMP	NONE	NONE	416 STAINLESS (C-509)	ROLLED STEEL

THERMOSTATS	PROTECTORS	WDG RTD's	BRG RTD's	THERMISTORS	CONTROL	SPACE HEATERS
NONE	NOT	NONE	NONE	NONE	FALSE	NA

R1 (ohms/ph)	R2 (ohms/ph)	X1 (ohms/ph)	X2 (ohms/ph)	Xm (ohms/ph)	VIBRATION (in/sec)	FLOAT
0	0	0	0	0	0.150	ODE

* N		INVERTER TORQUE: NONE	
O	INV. HP SPEED RANGE: NONE		
T	ENCODER: NONE		
E	BRAKE: NONE		
S	FT-LB: NONE		
	VOLTAGE: NONE		
	HZ: NONE		

PREPARED BY: FAREEDA DUDEKULA
 DATE: 9/17/2018
 FORM: 3531 REV 4 2/27/06
 UL: V/INS, CONST UL REC

Data Sheet



56T34F15597

Submital

Data @ 460 V

Date: 9/17/2018
 Customer: _____
 Attention: _____
 Submitted by: FAREEDA DUDEKULA

Motor Load Data

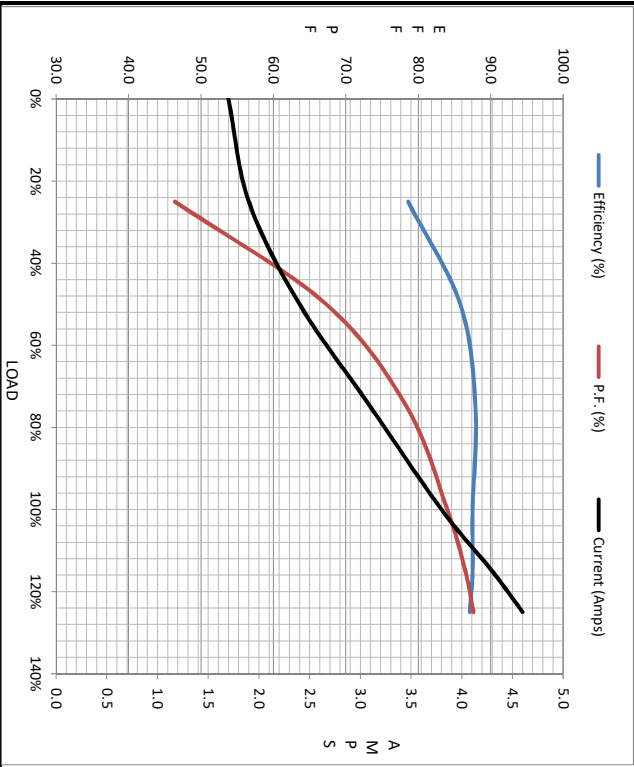
Load	0%	25%	50%	75%	100%	115%	125%	LR
Current (Amps)	1.70	1.90	2.40	3.1	3.8	4.3	4.6	36.9
Torque (ft-lb)	0.00	1.10	2.22	3.4	4.5	5.2	5.7	17.3
RPM	3600	3577	3555	3530	3505	3,485	3475	0
Efficiency (%)		78.6	85.8	87.9	87.5	87.5	87.1	
P.F. (%)	11.0	46.4	67.3	78.4	84.0	86.5	87.6	71.5

Motor Speed Data

	LR	Pull-Up	BD	Rated	Idle
Speed (RPM)	0	230	2385	3505	3600
Current (Amps)	36.9	38.3	27.2	4.5	1.70
Torque (ft-lb)	17.3	16.6	22.7	4.5	0.00

Information Block

HP	3.0			
Frame	3600			
Sync. RPM	145182TTC6080			
Enclosure	TEFC			
Construction	TFR			
Voltage	230/460 V			
Frequency	60 Hz			
Design	A			
LR Code letter	M			
Service Factor	1.15			
Temp Rise @ FL	57 °C			
Duty	CONT			
Ambient	40 °C			
Elevation	1,000 feet			
Rotor/Shaft wk ²	0.05 Lb-Ft ²			
Ret Wdg	ZT2175 FR			
Sound Pressure @ 1M	68 dBA			
VFD Rating	NONE			
Outline Dwg	A-100352-906			
Conn. Diag	EE7308			
Additional Specifications:				
0				
0				
R1	R2	X1	X2	Xm
0.0000	0.0000	0.0000	0.0000	0.0000



Speed - Torque Curve

