

# PRODUCT INFORMATION PACKET

**marathon**<sup>®</sup>  
Motors

Model No: 056T17D2130

Catalog No: EXK049

1 HP General Purpose Motor, 3 phase, 1800 RPM, 575 V, 56 Frame, ODP  
Three Phase ODP Motors



Regal and Marathon are trademarks of Regal Beloit Corporation or one of its affiliated companies.  
©2019 Regal Beloit Corporation, All Rights Reserved. MC017097E

**REGAL**



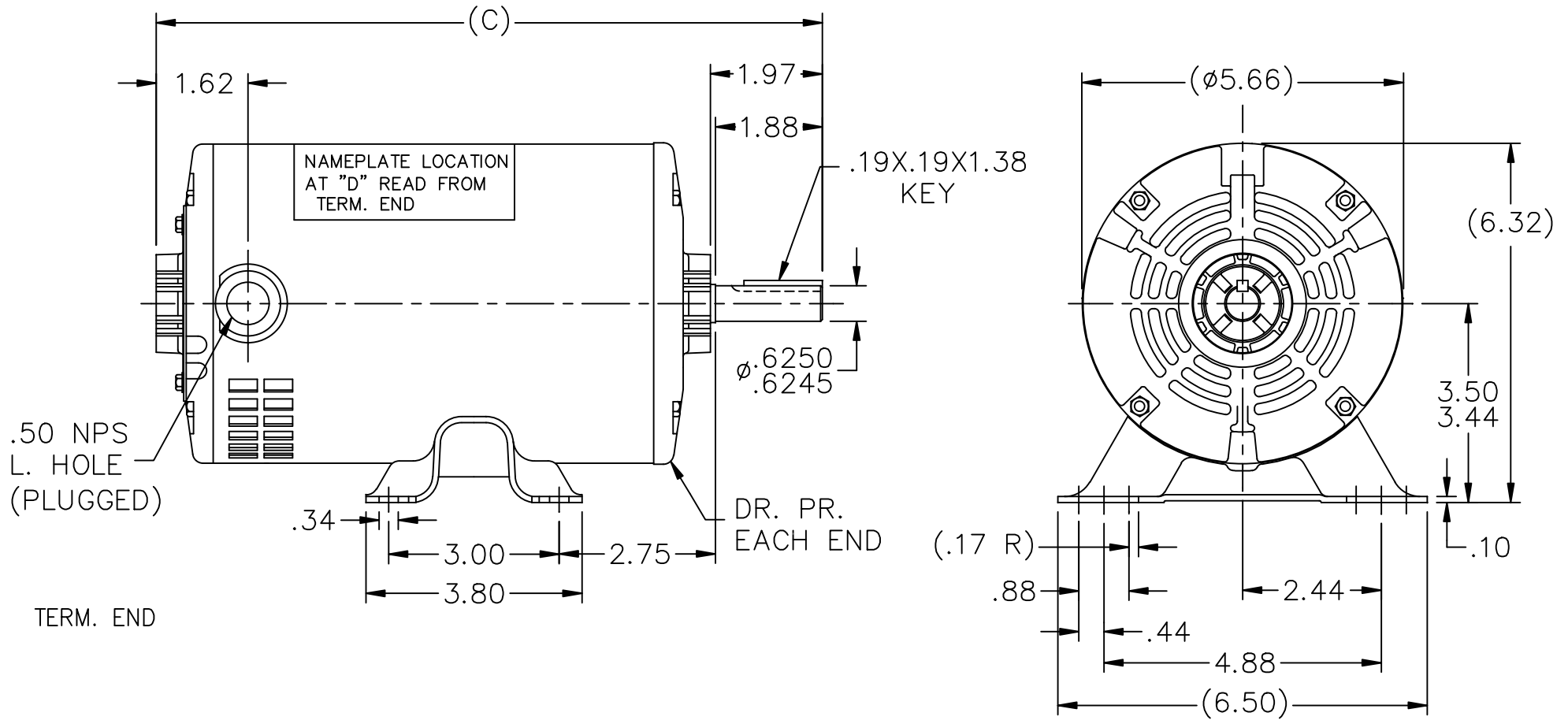
### Nameplate Specifications

Output HP	<b>1 Hp</b>	Output KW	<b>0.75 kW</b>
Frequency	<b>60 Hz</b>	Voltage	<b>575 V</b>
Current	<b>1.35 A</b>	Speed	<b>1725 rpm</b>
Service Factor	<b>1.15</b>	Phase	<b>3</b>
Efficiency	<b>76.5 %</b>	Power Factor	<b>72.5</b>
Duty	<b>CONTINUOUS</b>	Insulation Class	<b>B</b>
Design Code	<b>B</b>	KVA Code	<b>L</b>
Frame	<b>56</b>	Enclosure	<b>DP</b>
Thermal Protection	<b>NOT</b>	Ambient Temperature	<b>40 °C</b>
Drive End Bearing Size	<b>6203</b>	Opp Drive End Bearing Size	<b>6203</b>
UL	<b>Recognized</b>	CSA	<b>Y</b>
CE	<b>N</b>	IP Code	<b>22</b>

### Technical Specifications

Electrical Type	<b>SQ CAGE IND RUN</b>	Starting Method	<b>ACROSS THE LINE</b>
Poles	<b>4</b>	Rotation	<b>REV</b>
Resistance Main	<b>20 Ohms</b>	Mounting	<b>RIGID</b>
Motor Orientation	<b>HORIZONTAL</b>	Drive End Bearing	<b>BALL</b>
Opp Drive End Bearing	<b>BALL</b>	Frame Material	<b>ROLLED STEEL</b>
Shaft Type	<b>T</b>	Overall Length	<b>11.47 in</b>
Frame Length	<b>7.5 in</b>	Shaft Diameter	<b>0.63 in</b>
Shaft Extension	<b>1.97 in</b>	Assembly/Box Mounting	<b>F1 Only</b>

This is an uncontrolled document once printed or downloaded and is subject to change without notice. Date Created:01/11/2019



DASH	C	DASH	C	DASH	C
-600	9.97	-700	10.97	-775	11.72
-625	10.22	-725	11.22	-800	11.97
-650	10.47	-750	11.47	-875	12.72

				TOLERANCES UNLESS SPECIFIED		MARATHON ELECTRIC		DRAWN SMC 11-01-1990					
				DEC.	INCHES			CHK	ML	11-01-1990			
6	ADDED MISSING SHAFT DIM.	CN 29200-3453	ERH 02-16-2004	ML	.X	$\pm .1$	TITLE OUTLINE 56 FR. - DP.  MAT'L.  FINISH	APPD	JAY	11-02-1990	SCALE	3=8	
5	NEW REAR BRACKET	CN 19513	AJS 12-16-1994		.XX	$\pm .03$		REF					
4	.50 NPS WAS .50 NPT	CN 6642	RM 11-31-1991		.XXX	$\pm .005$							
3	REDRAWN ON CADD	CN 3748984	SMC 10-03-1990		.XXXX	$\pm .0005$							
NO.	REVISION		BY & DATE	CHK	ANG	$\pm 7'30''$							
THIS DRAWING IN DESIGN AND DETAIL IS OUR PROPERTY AND MUST NOT BE USED EXCEPT IN CONNECTION WITH OUR WORK ALL RIGHTS OF DESIGN AND INVENTION ARE RESERVED THIS IS AN ELECTRONICALLY GENERATED DOCUMENT - DO NOT SCALE THIS PRINT				RFP	CAD FILE ss75081			SIZE	DRAWING NO.	PAGE	OF	REV.	
				DIST	WP			A	SS75081			6	

**THREE PHASE - SINGLE VOLTAGE  
MOTOR - CONDUIT BOX @ 'A'**

**TO REVERSE ROTATION:  
INTERCHANGE ANY TWO  
LINE LEAD CONNECTIONS.**

**TERMINAL BLOCK WHEN SPECIFIED**



**VIEW OF TERMINAL END**

**IF MOTOR HAS  
6 LEADS**



A-9806 DECAL

**OPTIONAL CORD  
CONNECTION**

- L1 \_\_\_\_\_ WHITE
- L2 \_\_\_\_\_ RED
- L3 \_\_\_\_\_ BLACK

DRAWING REVISION AB	REVISION BY JJB	DATE 06-27-2017
ECO ECO-0125361	APPROVED BY TB	DATE 06-27-2017
ECO DESCRIPTION <b>UPDATED TO CURRENT STANDARDS</b>		
<small>COPYRIGHT REGAL BELOIT AMERICA, INC. ALL RIGHTS RESERVED.                  PROPRIETARY AND CONFIDENTIAL INFORMATION - THIS DOCUMENT IS THE PROPERTY OF                  REGAL BELOIT AMERICA, INC. ("OWNER") AND CONTAINS OWNER'S PROPRIETARY                  INFORMATION. ANY PERSON, CORPORATION OR OTHER FIRM RECEIVING IT IS DEEMED,                  BY RECEIVING IT, TO AGREE THAT IT, AND/OR ANY PART OF IT, SHALL NOT BE DISCLOSED                  TO ANY PERSON, CORPORATION OR OTHER ENTITY, DUPLICATED, AND/OR USED, EXCEPT                  AS EXPRESSLY APPROVED IN WRITING IN ADVANCE BY OWNER. THIS DOCUMENT SHALL                  BE RETURNED TO OWNER UPON REQUEST. IT MAY BE SUBJECT TO CERTAIN                  RESTRICTIONS UNDER APPLICABLE EXPORT CONTROL LAWS AND REGULATIONS.</small>		



DRAWN BY DA
DATE 03-26-1993
APPROVED BY TB
DATE 03-26-1993
REFERENCE
THIRD ANGLE PROJECTION

<b>Regal Beloit America, Inc.</b>	
MATERIAL	PROCESS/FINISH
SIZE <b>A</b>	DRAWING NUMBER <b>EE7300</b>
SHEET 1 OF 1	

