

PRODUCT INFORMATION PACKET

marathon[®]
Motors

Model No: 056T17D15955
Catalog No: K004B
1,1800,DP,56,3/60/230/460
Open Drip Proof (ODP)



Regal and Marathon are trademarks of Regal Beloit Corporation or one of its affiliated companies.
©2018 Regal Beloit Corporation, All Rights Reserved. MC017097E

REGAL[®]



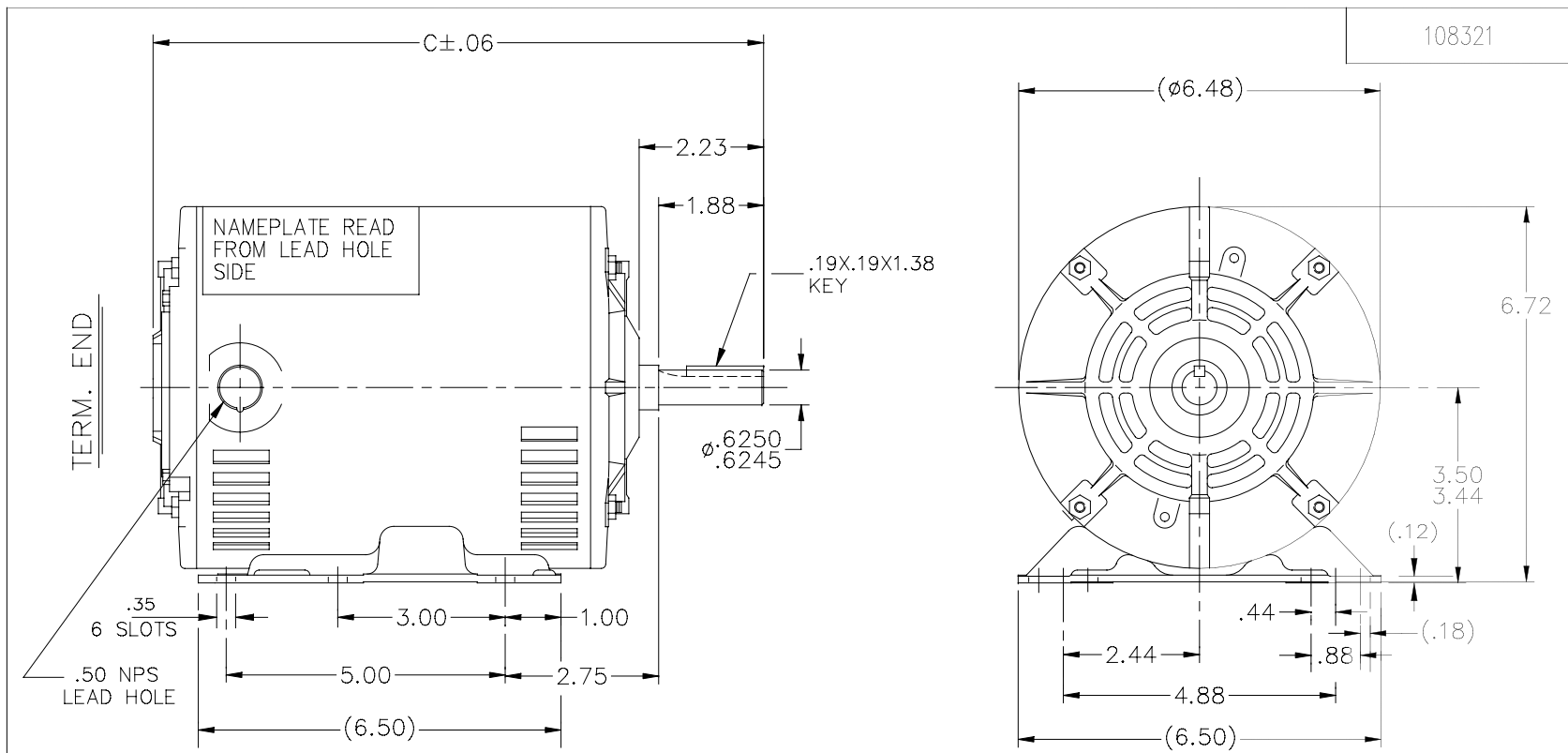
Nameplate Specifications

Output HP	1 Hp	Output KW	0.75 kW
Frequency	60 Hz	Voltage	230/460 V
Current	3.0/1.5 A	Speed	1725 rpm
Service Factor	1.15	Phase	3
Efficiency	85.5 %	Duty	Continuous
Insulation Class	B	Design Code	B
KVA Code	N	Frame	56
Enclosure	Drip Proof	Overload Protector	No
Ambient Temperature	40 °C	Drive End Bearing Size	6205
Opp Drive End Bearing Size	6203	UL	Recognized
CSA	Y	CE	Y
IP Code	22		

Technical Specifications

Electrical Type	Squirrel Cage Induction Run	Starting Method	Across The Line
Poles	4	Rotation	Reversible
Mounting	Rigid base	Motor Orientation	Horizontal
Drive End Bearing	Ball	Opp Drive End Bearing	Ball
Frame Material	Rolled Steel	Shaft Type	NEMA 56
Overall Length	12.94 in	Frame Length	9.06 in
Shaft Diameter	0.625 in	Shaft Extension	2.23 in
Assembly/Box Mounting	F1 Only		
Outline Drawing	A-108321-906	Connection Diagram	A-EE7308-REGAL

This is an uncontrolled document once printed or downloaded and is subject to change without notice. Date Created: 06/29/2018



DASH	C	DASH	C
656	10.44	856	12.44
706	10.94	906	12.94
756	11.44	956	13.44
806	11.94		

				TOLERANCES UNLESS SPECIFIED		DRAWN SM 8/11/2015			
				DEC.	INCHES		CHK SM 8/11/2015		
				.X	$\pm .1$	APPD SM 8/11/2015			
				.XX	$\pm .03$	SCALE 3=8			
				.XXX	$\pm .005$	REF 108249			
A	NEW DRAWING	SM 8/11/2015	SM .XXXX	$\pm .0005$	REGAL™ Regal Beloit America, Inc. TITLE OUTLINE 56H FR. - DR. PP. - BB - 3 ϕ - 56H MAT'L.	FMF 056T17D15941			
NO.	REVISION	BY & DATE	CHK ANG	$\pm 7'30''$		FINISH	PREV		
THIS DRAWING IN DESIGN AND DETAIL IS OUR PROPERTY AND MUST NOT BE USED EXCEPT IN CONNECTION WITH OUR WORK ALL RIGHTS OF DESIGN AND INVENTION ARE RESERVED THIS IS AN ELECTRONICALLY GENERATED DOCUMENT - DO NOT SCALE THIS PRINT				RFP	CAD FILE 108321	SIZE A	DRAWING NO. 108321	PAGE 3 OF 8	REV. A
				DIST WP					



NO.		REVISION		BY & DATE		CHK		ANG		FINISH		PREV									
5	CHG TO REGAL LOGO	SL	09/10/2015	AB																	
4	REVISED IEC NOTATIONS	MSG	11/15/2011	CMN	.X	±.1															
3	ADDED IEC NOTATIONS... (U1), (V1) ETC. MU95194	MSG	5/10/2010	MJS	.XX	±.02															
2	ADDED THE OPTIONAL CORD CONNECTION MU46318	RDH	04/24/2003	DRS	.XXX	±.005															
1	REDRAWN	RM	11/20/1990		.XXXX	±.0005															
THIS DRAWING IN DESIGN AND DETAIL IS OUR PROPERTY AND MUST NOT BE USED EXCEPT IN CONNECTION WITH OUR WORK ALL RIGHTS OF DESIGN AND INVENTION ARE RESERVED THIS IS AN ELECTRONICALLY GENERATED DOCUMENT - DO NOT SCALE THIS PRINT										RFP		CAD FILE ee7308		SIZE A		DRAWING NO. EE7308		PAGE OF 5		REV. 5	
										DIST WP											

REGAL™ Regal Beloit America, Inc.

DRAWN RM 11/20/1990
 CHK ML 11/21/1990
 APPD SAS 04/24/2003

TITLE CONNECTION DIAGRAM
 3Ø - DUAL VOLTAGE MOTOR

SCALE 1=1
 REF
 FMF

