

# PRODUCT INFORMATION PACKET

**marathon**<sup>®</sup>  
Motors

Model No: 056T17D15945  
Catalog No: K203  
1 1/2, 1725, DP, 56HC, 3/60/575  
Open Drip Proof (ODP)



Regal and Marathon are trademarks of Regal Beloit Corporation or one of its affiliated companies.

©2018 Regal Beloit Corporation, All Rights Reserved. MC017097E

**REGAL**<sup>®</sup>



### Nameplate Specifications

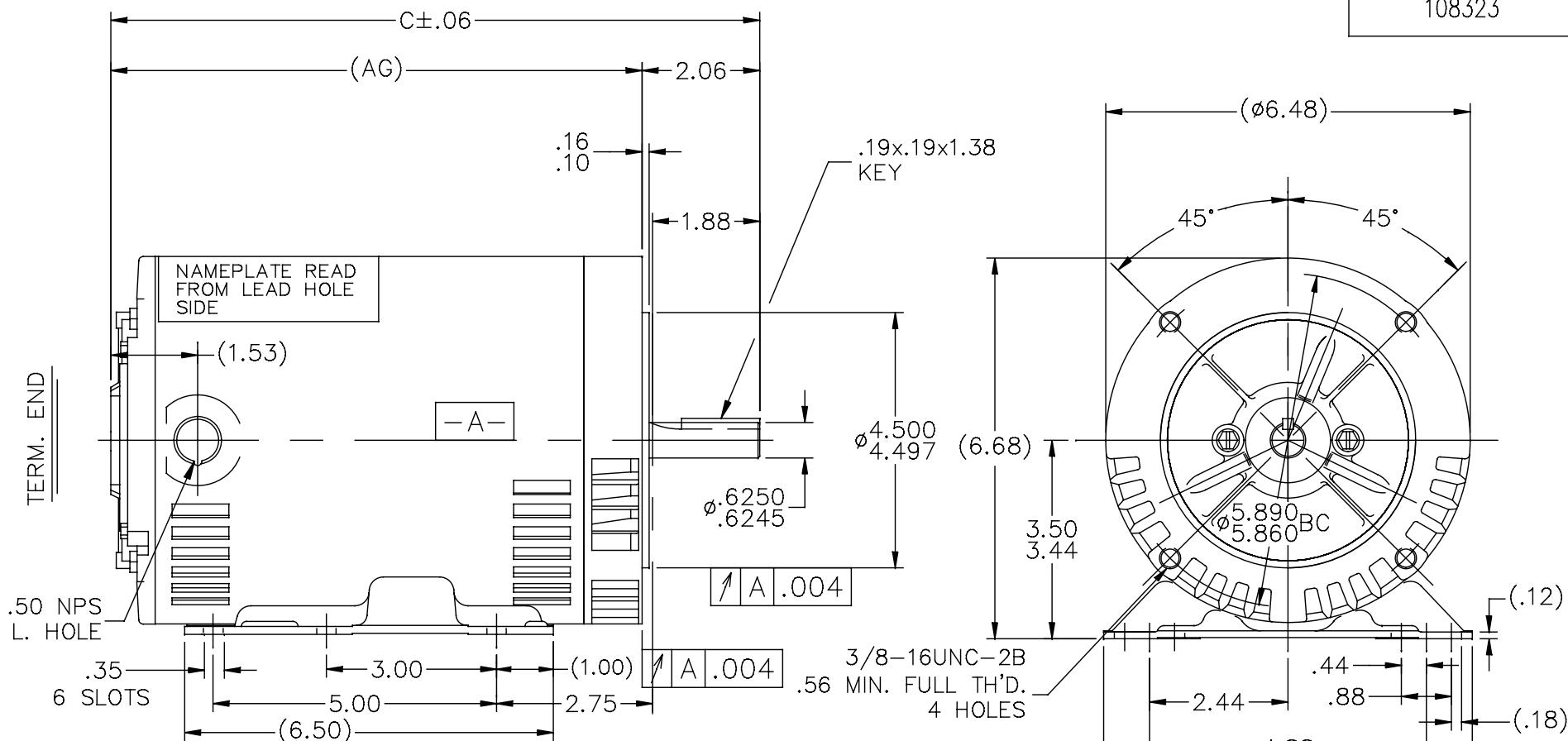
Output HP	1.50 Hp	Output KW	1.1 kW
Frequency	60 Hz	Voltage	575 V
Current	1.8 A	Speed	1725 rpm
Service Factor	1.15	Phase	3
Efficiency	86.5 %	Duty	Continuous
Insulation Class	B	Design Code	B
KVA Code	M	Frame	56HC
Enclosure	Drip Proof	Overload Protector	No
Ambient Temperature	40 °C	Drive End Bearing Size	6205
Opp Drive End Bearing Size	6203	UL	Recognized
CSA	Y	CE	Y
IP Code	22		

### Technical Specifications

Electrical Type	Squirrel Cage Induction Run	Starting Method	Across The Line
Poles	4	Rotation	Reversible
Mounting	Rigid base	Motor Orientation	HORIZONTAL
Drive End Bearing	BALL	Opp Drive End Bearing	BALL
Frame Material	Rolled Steel	Shaft Type	NEMA 56
Overall Length	12.94 in	Frame Length	9.06 in
Shaft Diameter	0.625 in	Shaft Extension	1.88 in
Assembly/Box Mounting	F1 ONLY		
Outline Drawing	108323-906	Connection Diagram	A-EE7300-REGAL

This is an uncontrolled document once printed or downloaded and is subject to change without notice. Date Created: 10/30/2018

108323



DASH	C	AG		DASH	C	AG
606	9.94	7.87		806	11.94	9.87
656	10.44	8.37		856	12.44	10.37
706	10.94	8.87		906	12.94	10.87
756	11.44	9.37		956	13.44	11.37

			TOLERANCES UNLESS SPECIFIED		REGAL™ Regal Beloit America, Inc.	DRAWN	SM 8/12/2015	
			DEC.	INCHES		CHK	SM 8/12/2015	
			.X	±.1		APPD		
			.XX	±.03	TITLE	SCALE	3=8	
			.XXX	±.005	OUTLINE	REF	108253	
A	NEW DRAWING		SM	8/12/2015	56H FR. - BB - DR. PR. - 'C' FACE - 3φ	FMF	05617D15944	
NO.	REVISION	BY & DATE	CHK	ANG	MAT'L.	PREV		
			RFP		FINISH			
			DIST	WP	CAD FILE	108323		
			SIZE	A	DRAWING NO.	108323	PAGE OF	REV. A

THIS DRAWING IN DESIGN AND DETAIL IS OUR PROPERTY AND MUST NOT BE USED EXCEPT IN CONNECTION WITH OUR WORK ALL RIGHTS OF DESIGN AND INVENTION ARE RESERVED THIS IS AN ELECTRONICALLY GENERATED DOCUMENT - DO NOT SCALE THIS PRINT

**THREE PHASE - SINGLE VOLTAGE  
MOTOR - CONDUIT BOX @ 'A'**

**TO REVERSE ROTATION:  
INTERCHANGE ANY TWO  
LINE LEAD CONNECTIONS.**

**TERMINAL BLOCK WHEN SPECIFIED**



**VIEW OF TERMINAL END**

**IF MOTOR HAS  
6 LEADS**

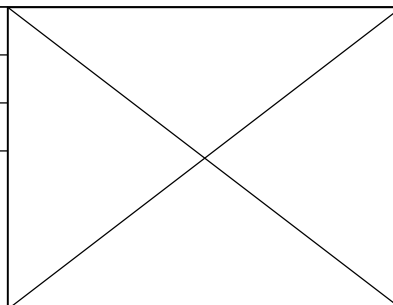


A-9806 DECAL

**OPTIONAL CORD  
CONNECTION**



DRAWING REVISION AB	REVISION BY JJB	DATE 06-27-2017
ECO ECO-0125361	APPROVED BY TB	DATE 06-27-2017
ECO DESCRIPTION <b>UPDATED TO CURRENT STANDARDS</b>		
<small>COPYRIGHT REGAL BELOIT AMERICA, INC. ALL RIGHTS RESERVED.                  PROPRIETARY AND CONFIDENTIAL INFORMATION - THIS DOCUMENT IS THE PROPERTY OF                  REGAL BELOIT AMERICA, INC. ("OWNER") AND CONTAINS OWNER'S PROPRIETARY                  INFORMATION. ANY PERSON, CORPORATION OR OTHER FIRM RECEIVING IT IS DEEMED,                  BY RECEIVING IT, TO AGREE THAT IT, AND/OR ANY PART OF IT, SHALL NOT BE DISCLOSED                  TO ANY PERSON, CORPORATION OR OTHER ENTITY, DUPLICATED, AND/OR USED, EXCEPT                  AS EXPRESSLY APPROVED IN WRITING IN ADVANCE BY OWNER. THIS DOCUMENT SHALL                  BE RETURNED TO OWNER UPON REQUEST. IT MAY BE SUBJECT TO CERTAIN                  RESTRICTIONS UNDER APPLICABLE EXPORT CONTROL LAWS AND REGULATIONS.</small>		



DRAWN BY DA
DATE 03-26-1993
APPROVED BY TB
DATE 03-26-1993
REFERENCE
THIRD ANGLE PROJECTION

Regal Beloit America, Inc.	
DESCRIPTION <b>CONNECTION DIAGRAM</b> EXTERNAL - SINGLE VOLTAGE - 3Ø MOTOR	
MATERIAL	PROCESS/FINISH
SIZE <b>A</b>	DRAWING NUMBER <b>EE7300</b>
SHEET <b>1 OF 1</b>	

CERTIFICATION DATA SHEET

Model#: 56T17D15945 A WINDING#: ZT4258 R1 2  
 CONN. DIAGRAM: A-EE7300-REGAL ASSEMBLY: F1 ONLY  
 OUTLINE: 108323-906

TYPICAL MOTOR PERFORMANCE DATA

HP	KW	SYNC. RPM	F.L. RPM	FRAME	ENCLOSURE	KVA CODE	DESIGN				
1 1/2	1.12	1800	1725	56HC	DP	M	B				
PH	Hz	VOLTS	FL AMPS	START TYPE	DUTY	INSL	S.F	AMB°C	ELEVATION		
3	60	575	1.75	ACROSS THE LINE	CONTINUOUS	B3	1.15	40	3300		
FULL LOAD EFF: 86.5		3/4 LOAD EFF: 86		1/2 LOAD EFF: 83.8		GTD. EFF		ELEC. TYPE		NO LOAD AMPS	
FULL LOAD PF: 75		3/4 LOAD PF: 67		1/2 LOAD PF: 54.5		84		SQ CAGE IND RUN		1	
F.L. TORQUE		LOCKED ROTOR AMPS		L.R. TORQUE		B.D. TORQUE		F.L. RISE°C			
4.5 LB-FT		15.8		16.65 LB-FT 370		21.65 LB-FT 481		28			
SOUND PRESSURE @ 3 FT.		SOUND POWER		ROTOR WK^2		MAX. WK^2		SAFE STALL TIME		STARTS /HOUR	APPROX. MOTOR WGT
56 dBA		66 dBA		0 LB-FT^2		10 LB-FT^2		20 SEC.		2	43 LBS.

\*\*\* SUPPLEMENTAL INFORMATION \*\*\*

DE BRACKET TYPE	ODE BRACKET TYPE	MOUNT TYPE	ORIENTATION	SEVERE DUTY	HAZARDOUS LOCATION	DRIP COVER	SCREENS	PAINT
C-FACE	STANDARD	RIGID	HORIZONTAL	FALSE	NONE	FALSE	NONE	GRAY (POWDER)

BEARINGS		GREASE	SHAFT TYPE	SPECIAL DE	SPECIAL ODE	SHAFT MATERIAL	FRAME MATERIAL
DE	OPE						
BALL	BALL	POLYREX EM	STANDARD 56	NONE	NONE	1144 STRESSPROOF (C-223)	ROLLED STEEL
6205	6203						

THERMO-PROTECTORS				THERMISTORS	CONTROL	SPACE /n HEATERS
THERMOSTATS	PROTECTORS	WDG RTDs	BRG RTDs			
NONE	NOT	NONE	NONE	NONE	FALSE	NONE VOLTS

If Inverter equals NONE, contact factory for further information

\*  
N  
O  
T  
E  
S  
\*

INVERTER TORQUE: NONE
INV. HP SPEED RANGE: NONE
ENCODER: NONE
NONE NONE
NONE NONE PPR
BRAKE: NONE NONE
NONE P/N NONE
NONE NONE
NONE FT-LB NONE V NONE Hz

DATE: 06/28/2017 05:42:10 AM

FORM 3531 REV.3 02/07/99

\*\* Subject to change without notice.



56T17D15945

Date: 8/29/2018  
 Customer:   
 Attention:   
 Submitted by: FAREEDA DUDEKULA

Submital

Data @ 575 V

Motor Load Data

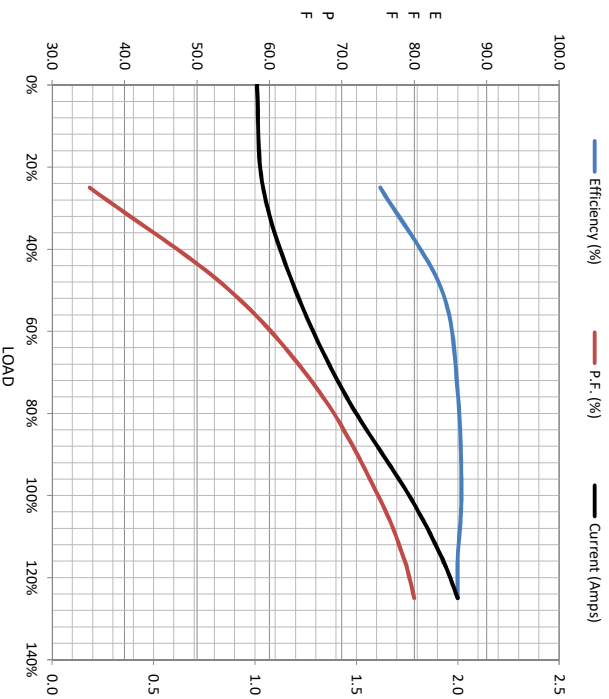
Load	0%	25%	50%	75%	100%	115%	125%	LR
Current (Amps)	1.01	1.04	1.20	1.44	1.76	1.92	2.00	15.8
Torque (ft-lb)	0.00	1.10	2.20	3.4	4.5	5.2	5.7	16.7
RPM	1800	1788	1775	1765	1755	1,745	1740	0
Efficiency (%)		75.3	83.8	86.0	86.5	86.0	86.0	
P.F. (%)	9.3	35.2	54.5	67.0	75.0	78.5	80.0	88.0

Motor Speed Data

	LR	Pull-Up	BD	Rated	Idle
Speed (RPM)	0	120	1220	1755	1800
Current (Amps)	15.8	16.2	10.5	1.76	1.01
Torque (ft-lb)	16.7	16.6	21.7	4.5	0.00

Information Block

HP	1.5			
Sync. RPM	1800			
Frame	1451B2TTC6080			
Enclosure	DP			
Construction	TDR			
Voltage	575 V			
Frequency	60 Hz			
Design	A			
LR Code letter	M			
Service Factor	1.15			
Temp Rise @ FL	28 °C			
Duty	CONT			
Ambient	40 °C			
Elevation	1,000 feet			
Rotor/Shaft Wt <sup>e</sup>	0.00 Lb-Fr			
Ret Wdg	ZT4258 R1			
Sound Pressure @ 1M	56 DBA			
VFD Rating	NONE			
Outline Dwg	A-108323-90			
Conn. Diag	A-EZ/300-REGAL			
Additional Specifications:				
EQUIV CKT (OHMS / PHASE)				
R1	R2	X1	X2	Xm
0.0000	0.0000	0.0000	0.0000	0.0000



Speed - Torque Curve

