

# PRODUCT INFORMATION PACKET

**marathon**<sup>®</sup>  
Motors

Model No: 056T17D15944  
Catalog No: K646B  
1 1/2, 1725, DP, 56HC, 3/60/230/460  
Open Drip Proof (ODP)



Regal and Marathon are trademarks of Regal Beloit Corporation or one of its affiliated companies.  
©2018 Regal Beloit Corporation, All Rights Reserved. MC017097E

**REGAL**

### Nameplate Specifications

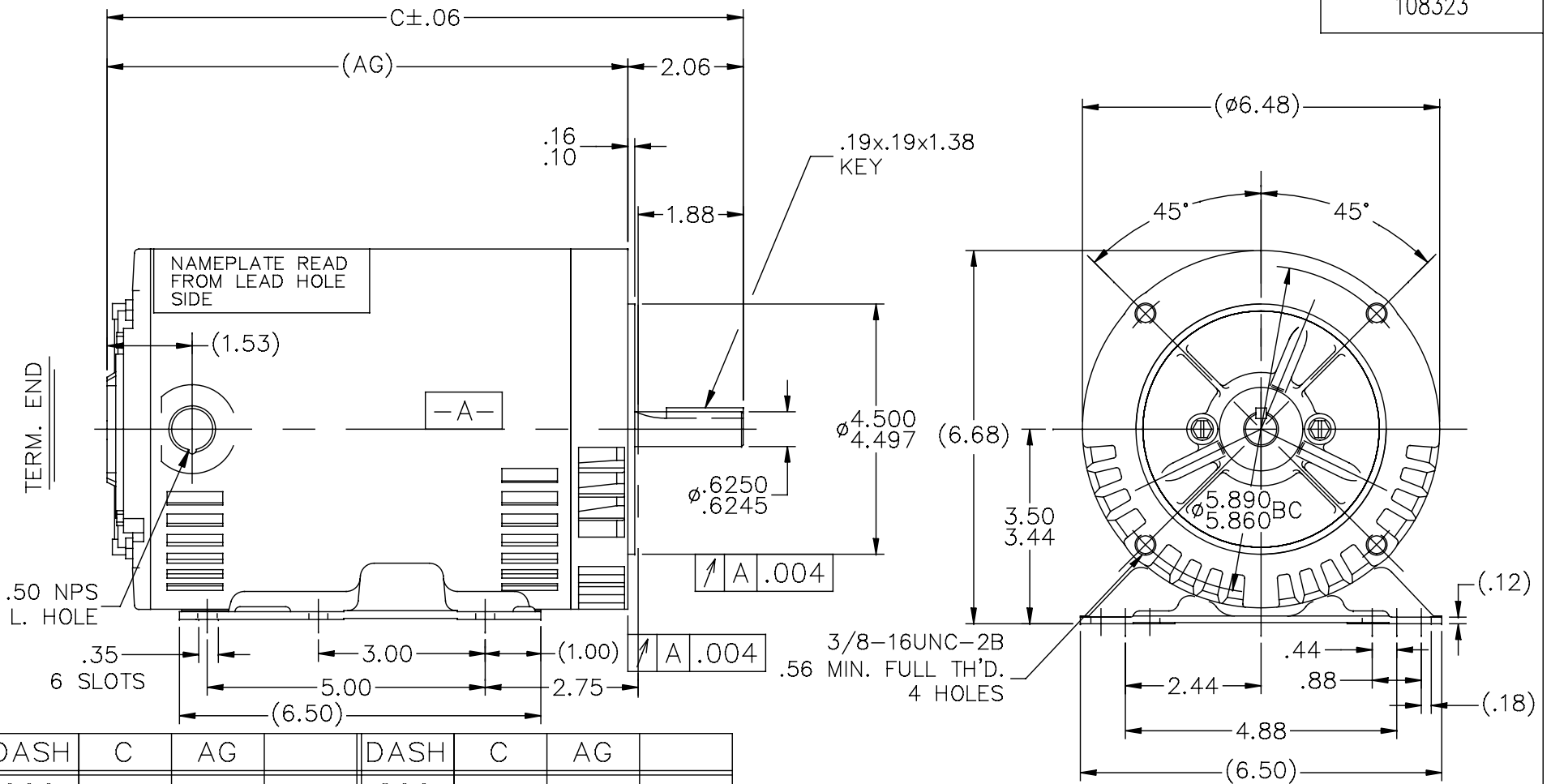
Output HP	<b>1.50 Hp</b>	Output KW	<b>1.1 kW</b>
Frequency	<b>60 Hz</b>	Voltage	<b>230/460 V</b>
Current	<b>4.4/2.2 A</b>	Speed	<b>1725 rpm</b>
Service Factor	<b>1.15</b>	Phase	<b>3</b>
Efficiency	<b>86.5 %</b>	Duty	<b>Continuous</b>
Insulation Class	<b>B</b>	Design Code	<b>B</b>
KVA Code	<b>M</b>	Frame	<b>56HC</b>
Enclosure	<b>Drip Proof</b>	Overload Protector	<b>No</b>
Ambient Temperature	<b>40 °C</b>	Drive End Bearing Size	<b>6205</b>
Opp Drive End Bearing Size	<b>6203</b>	UL	<b>Recognized</b>
CSA	<b>Y</b>	CE	<b>Y</b>
IP Code	<b>22</b>		

### Technical Specifications

Electrical Type	<b>Squirrel Cage Induction Run</b>	Starting Method	<b>Across The Line</b>
Poles	<b>4</b>	Rotation	<b>Reversible</b>
Mounting	<b>Rigid base</b>	Motor Orientation	<b>Horizontal</b>
Drive End Bearing	<b>Ball</b>	Opp Drive End Bearing	<b>Ball</b>
Frame Material	<b>Rolled Steel</b>	Shaft Type	<b>NEMA 56</b>
Overall Length	<b>12.94 in</b>	Frame Length	<b>9.06 in</b>
Shaft Diameter	<b>0.625 in</b>	Shaft Extension	<b>2.06 in</b>
Assembly/Box Mounting	<b>F1 Only</b>		
Outline Drawing	<b>A-108323-906</b>	Connection Diagram	<b>A-EE7308-REGAL</b>

This is an uncontrolled document once printed or downloaded and is subject to change without notice. Date Created: 06/29/2018

108323



DASH	C	AG		DASH	C	AG
606	9.94	7.87		806	11.94	9.87
656	10.44	8.37		856	12.44	10.37
706	10.94	8.87		906	12.94	10.87
756	11.44	9.37		956	13.44	11.37

				TOLERANCES UNLESS SPECIFIED		<b>Regal Beloit America, Inc.</b>	DRAWN SM 8/12/2015			
				DEC.	INCHES		CHK SM 8/12/2015			
				.X	±.1	<b>TITLE OUTLINE</b> 56H FR. - BB - DR. PR. - 'C' FACE - 3φ MAT'L. FINISH	APPD			
				.XX	±.03		SCALE 3=8			
				.XXX	±.005		REF 108253			
				.XXXX	±.0005		FMF 05617D15944			
A	NEW DRAWING		SM 8/12/2015	SM	.XXXX ±.0005		PREV			
NO.	REVISION		BY & DATE	CHK	ANG ±7°30"					
THIS DRAWING IN DESIGN AND DETAIL IS OUR PROPERTY AND MUST NOT BE USED EXCEPT IN CONNECTION WITH OUR WORK ALL RIGHTS OF DESIGN AND INVENTION ARE RESERVED THIS IS AN ELECTRONICALLY GENERATED DOCUMENT - DO NOT SCALE THIS PRINT				RFP		CAD FILE 108323	SIZE A	DRAWING NO. 108323	PAGE OF	REV. A
				DIST	WP					

