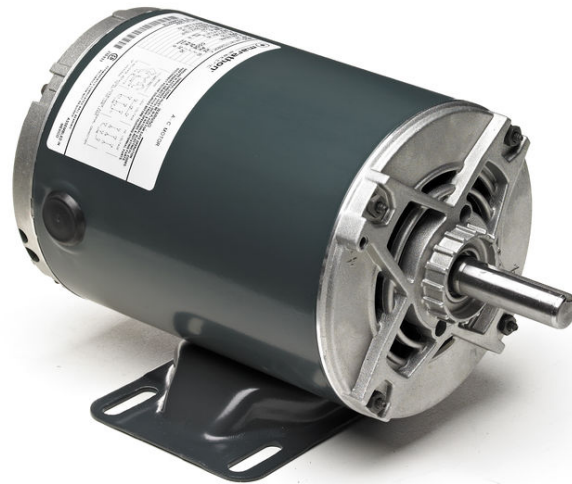


# PRODUCT INFORMATION PACKET

**marathon**<sup>®</sup>  
Motors

Model No: 056T17D15943  
Catalog No: K061B  
1 1/2, 1725, DP, 56H, 3/60/575  
Open Drip Proof (ODP)



Regal and Marathon are trademarks of Regal Beloit Corporation or one of its affiliated companies.  
©2018 Regal Beloit Corporation, All Rights Reserved. MC017097E

**REGAL**<sup>®</sup>



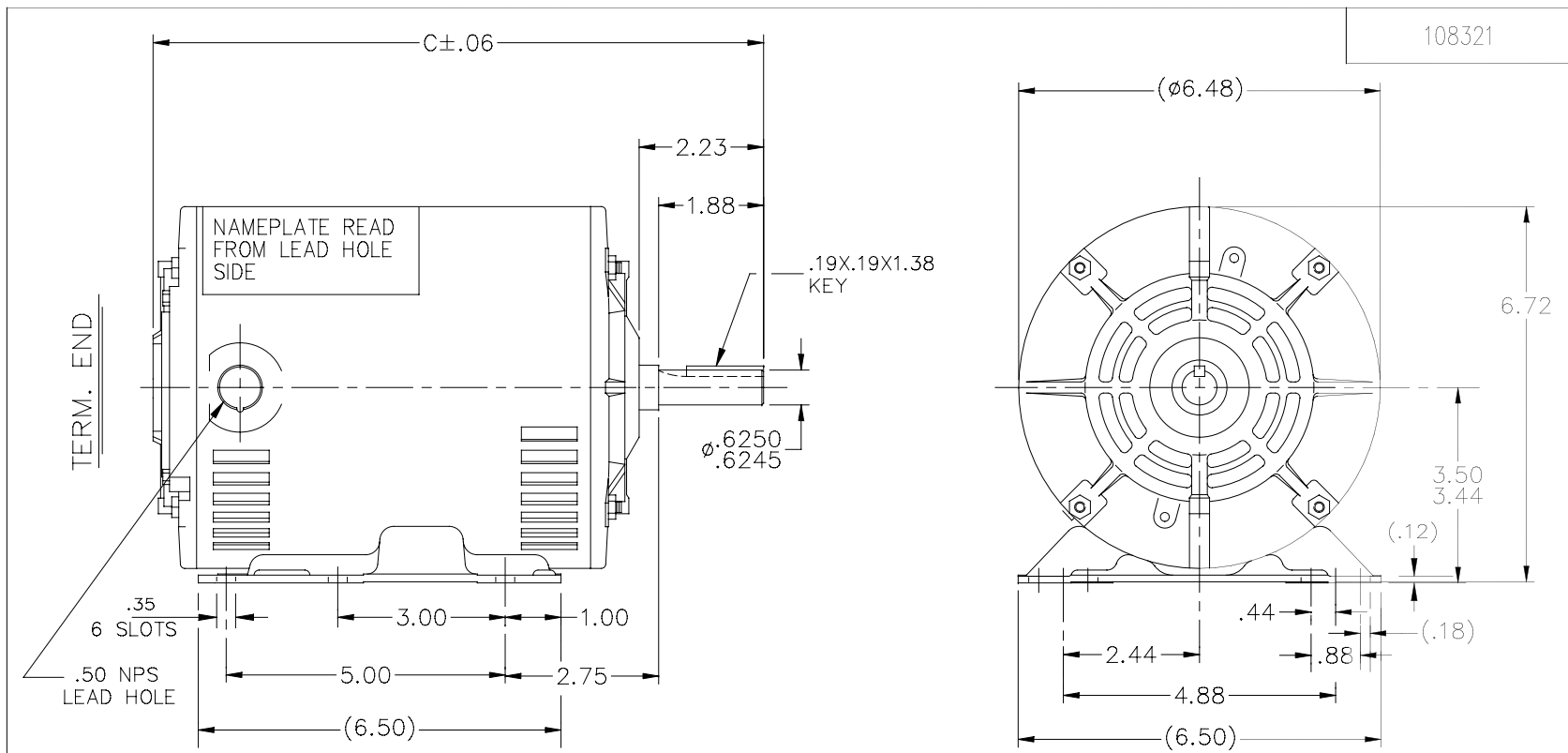
### Nameplate Specifications

Output HP	<b>1.50 Hp</b>	Output KW	<b>1.1 kW</b>
Frequency	<b>60 Hz</b>	Voltage	<b>575 V</b>
Current	<b>1.8 A</b>	Speed	<b>1725 rpm</b>
Service Factor	<b>1.15</b>	Phase	<b>3</b>
Efficiency	<b>86.5 %</b>	Duty	<b>Continuous</b>
Insulation Class	<b>B</b>	Design Code	<b>B</b>
KVA Code	<b>M</b>	Frame	<b>56H</b>
Enclosure	<b>Drip Proof</b>	Overload Protector	<b>No</b>
Ambient Temperature	<b>40 °C</b>	Drive End Bearing Size	<b>6205</b>
Opp Drive End Bearing Size	<b>6205</b>	UL	<b>Recognized</b>
CSA	<b>Y</b>	CE	<b>Y</b>
IP Code	<b>22</b>		

### Technical Specifications

Electrical Type	<b>Squirrel Cage Induction Run</b>	Starting Method	<b>Across The Line</b>
Poles	<b>4</b>	Rotation	<b>Reversible</b>
Mounting	<b>Rigid base</b>	Motor Orientation	<b>Horizontal</b>
Drive End Bearing	<b>Ball</b>	Opp Drive End Bearing	<b>Ball</b>
Frame Material	<b>Rolled Steel</b>	Shaft Type	<b>NEMA 56</b>
Overall Length	<b>12.94 in</b>	Frame Length	<b>9.06 in</b>
Shaft Diameter	<b>0.625 in</b>	Shaft Extension	<b>2.23 in</b>
Assembly/Box Mounting	<b>F1 Only</b>		
Outline Drawing	<b>A-108321-906</b>	Connection Diagram	<b>A-EE7300-REGAL</b>

**This is an uncontrolled document once printed or downloaded and is subject to change without notice. Date Created: 06/29/2018**



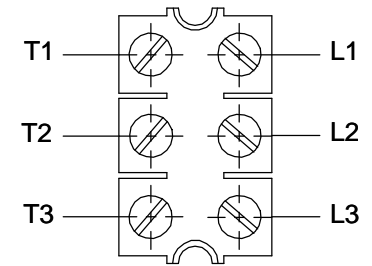
DASH	C	DASH	C
656	10.44	856	12.44
706	10.94	906	12.94
756	11.44	956	13.44
806	11.94		

				TOLERANCES UNLESS SPECIFIED		DRAWN SM 8/11/2015				
				DEC.	INCHES		CHK SM 8/11/2015			
				.X	$\pm .1$	APPD SM 8/11/2015				
				.XX	$\pm .03$	SCALE 3=8				
				.XXX	$\pm .005$	REF 108249				
A	NEW DRAWING	SM 8/11/2015	SM	.XXXX	$\pm .0005$	FMF 056T17D15941				
NO.	REVISION	BY & DATE	CHK	ANG	$\pm 7'30''$	PREV				
THIS DRAWING IN DESIGN AND DETAIL IS OUR PROPERTY AND MUST NOT BE USED EXCEPT IN CONNECTION WITH OUR WORK ALL RIGHTS OF DESIGN AND INVENTION ARE RESERVED THIS IS AN ELECTRONICALLY GENERATED DOCUMENT - DO NOT SCALE THIS PRINT				RFP	CAD FILE 108321	SIZE A	DRAWING NO. 108321	PAGE 3	OF 8	REV. A
				DIST WP						

**THREE PHASE - SINGLE VOLTAGE  
MOTOR - CONDUIT BOX @ 'A'**

**TO REVERSE ROTATION:  
INTERCHANGE ANY TWO  
LINE LEAD CONNECTIONS.**

**TERMINAL BLOCK WHEN SPECIFIED**



**VIEW OF TERMINAL END**

**IF MOTOR HAS  
6 LEADS**

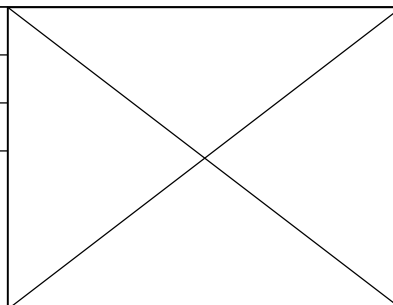


**A-9806 DECAL**

**OPTIONAL CORD  
CONNECTION**



DRAWING REVISION <b>AB</b>	REVISION BY <b>JJB</b>	DATE <b>06-27-2017</b>
ECO <b>ECO-0125361</b>	APPROVED BY <b>TB</b>	DATE <b>06-27-2017</b>
ECO DESCRIPTION <b>UPDATED TO CURRENT STANDARDS</b>		
<small>COPYRIGHT REGAL BELOIT AMERICA, INC. ALL RIGHTS RESERVED.                  PROPRIETARY AND CONFIDENTIAL INFORMATION - THIS DOCUMENT IS THE PROPERTY OF                  REGAL BELOIT AMERICA, INC. ("OWNER") AND CONTAINS OWNER'S PROPRIETARY                  INFORMATION. ANY PERSON, CORPORATION OR OTHER FIRM RECEIVING IT IS DEEMED,                  BY RECEIVING IT, TO AGREE THAT IT, AND/OR ANY PART OF IT, SHALL NOT BE DISCLOSED                  TO ANY PERSON, CORPORATION OR OTHER ENTITY, DUPLICATED, AND/OR USED, EXCEPT                  AS EXPRESSLY APPROVED IN WRITING IN ADVANCE BY OWNER. THIS DOCUMENT SHALL                  BE RETURNED TO OWNER UPON REQUEST. IT MAY BE SUBJECT TO CERTAIN                  RESTRICTIONS UNDER APPLICABLE EXPORT CONTROL LAWS AND REGULATIONS.</small>		



DRAWN BY <b>DA</b>
DATE <b>03-26-1993</b>
APPROVED BY <b>TB</b>
DATE <b>03-26-1993</b>
REFERENCE
THIRD ANGLE PROJECTION

<b>Regal Beloit America, Inc.</b>	
DESCRIPTION <b>CONNECTION DIAGRAM EXTERNAL - SINGLE VOLTAGE - 3Ø MOTOR</b>	
MATERIAL	PROCESS/FINISH
SIZE <b>A</b>	DRAWING NUMBER <b>EE7300</b>
SHEET <b>1 OF 1</b>	

CERTIFICATION DATA SHEET

**Model#:** 56T17D15943 A **WINDING#:** ZT4258 R1 2  
**CONN. DIAGRAM:** A-EE7300-REGAL **ASSEMBLY:** F1 ONLY  
**OUTLINE:** A-108321-906

TYPICAL MOTOR PERFORMANCE DATA

HP	KW	SYNC. RPM	F.L. RPM	FRAME	ENCLOSURE	KVA CODE	DESIGN
1 1/2	1.12	1800	1725	56H	DP	M	B

PH	Hz	VOLTS	FL AMPS	START TYPE	DUTY	INSL	S.F	AMB°C	ELEVATION
3	60	575	1.75	ACROSS THE LINE	CONTINUOUS	B3	1.15	40	3300

FULL LOAD EFF: 86.5	3/4 LOAD EFF: 86	1/2 LOAD EFF: 83.8	GTD. EFF	ELEC. TYPE	NO LOAD AMPS
FULL LOAD PF: 75	3/4 LOAD PF: 67	1/2 LOAD PF: 54.5	84	SQ CAGE IND RUN	1

F.L. TORQUE	LOCKED ROTOR AMPS	L.R. TORQUE	B.D. TORQUE	F.L. RISE°C
4.5 LB-FT	15.8	16.65 LB-FT 370	21.65 LB-FT 481	28

SOUND PRESSURE @ 3 FT.	SOUND POWER	ROTOR WK^2	MAX. WK^2	SAFE STALL TIME	STARTS /HOUR	APPROX. MOTOR WGT
56 dBA	66 dBA	0 LB-FT^2	10 LB-FT^2	20 SEC.	2	43 LBS.

\*\*\* SUPPLEMENTAL INFORMATION \*\*\*

DE BRACKET TYPE	ODE BRACKET TYPE	MOUNT TYPE	ORIENTATION	SEVERE DUTY	HAZARDOUS LOCATION	DRIP COVER	SCREENS	PAINT
STANDARD	STANDARD	RIGID	HORIZONTAL	FALSE	NONE	FALSE	NONE	GRAY (POWDER)

BEARINGS		GREASE	SHAFT TYPE	SPECIAL DE	SPECIAL ODE	SHAFT MATERIAL	FRAME MATERIAL
DE	OPE						
BALL	BALL	POLYREX EM	STANDARD 56	NONE	NONE	1144 STRESSPROOF (C-223)	ROLLED STEEL
6205	6205						

THERMO-PROTECTORS				THERMISTORS	CONTROL	SPACE /n HEATERS
THERMOSTATS	PROTECTORS	WDG RTDs	BRG RTDs			
NONE	NOT	NONE	NONE	NONE	FALSE	NONE VOLTS

If Inverter equals NONE, contact factory for further information

\*  
N  
O  
T  
E  
S  
\*

INVERTER TORQUE: NONE
INV. HP SPEED RANGE: NONE
ENCODER: NONE
NONE NONE
NONE NONE PPR
BRAKE: NONE NONE
NONE P/N NONE
NONE NONE
NONE FT-LB NONE V NONE Hz

DATE: 06/28/2017 05:39:26 AM  
 FORM 3531 REV.3 02/07/99  
 \*\* Subject to change without notice.