

PRODUCT INFORMATION PACKET

marathon®
Motors

Model No: 056T11VD5378

Catalog No: N426

0.50 HP Washdown Motor, 3 phase, 1800 RPM, 208-230/460 V, 56C Frame, TENV
Paint Free NEMA Washdown Motors



Regal and Marathon are trademarks of Regal Beloit Corporation or one of its affiliated companies.
©2019 Regal Beloit Corporation, All Rights Reserved. MC017097E

REGAL



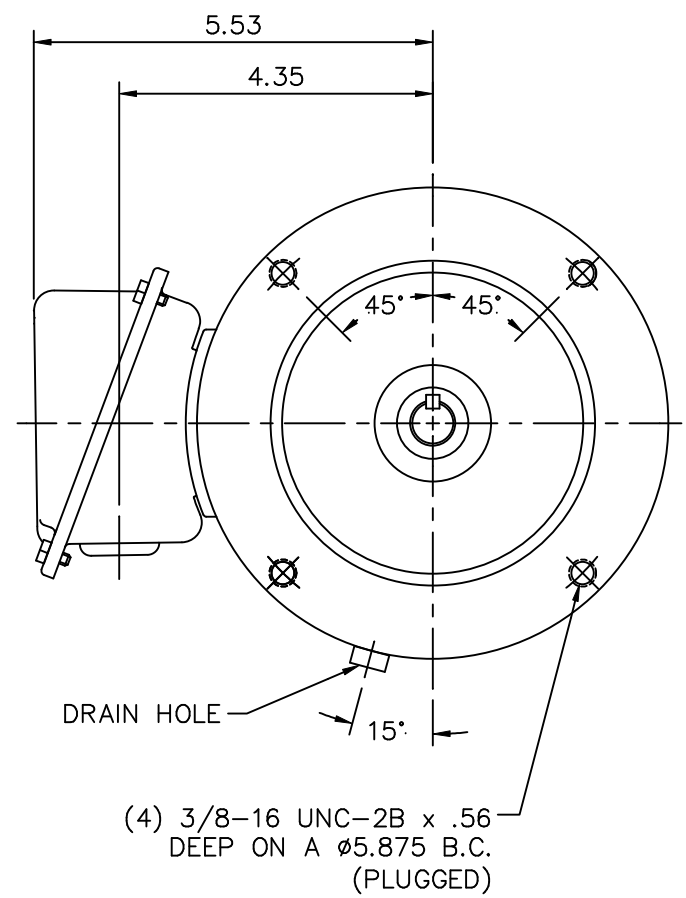
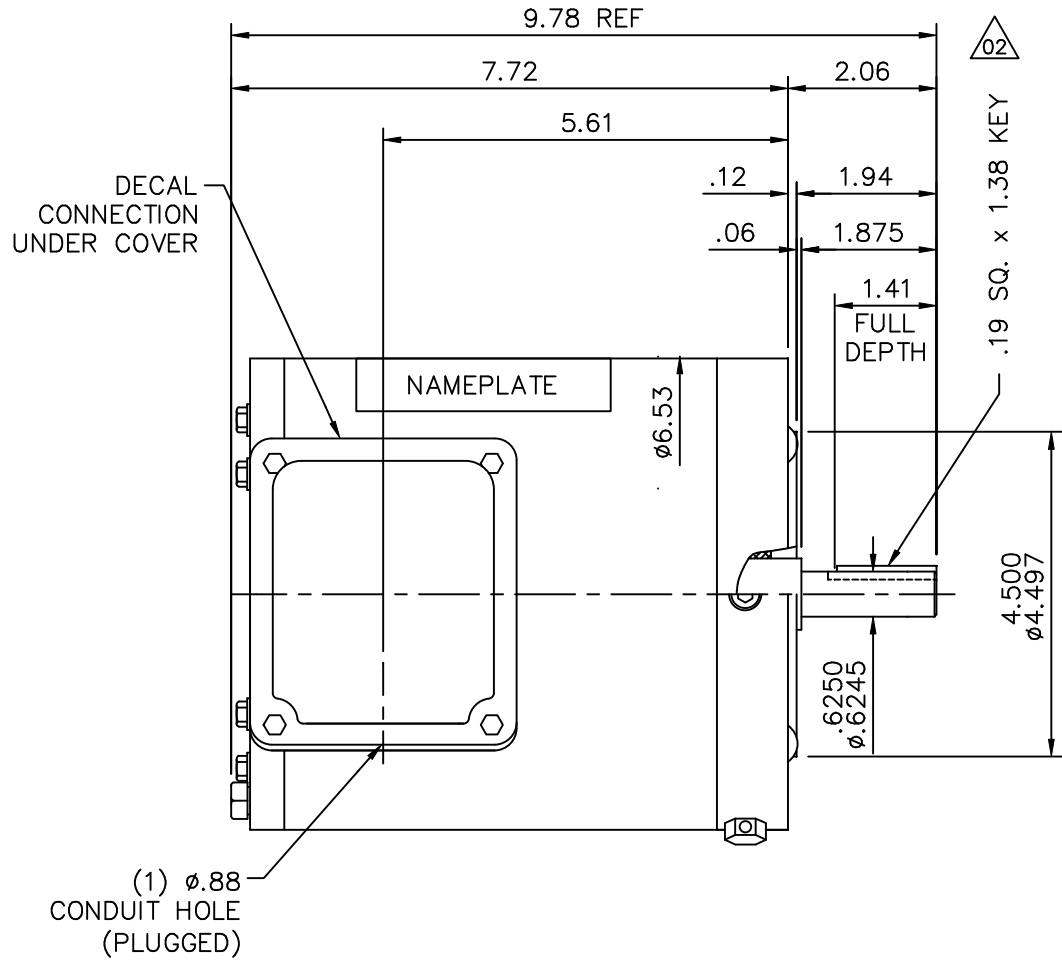
Nameplate Specifications

Output HP	0.50 Hp	Output KW	0.37 kW
Frequency	60 Hz	Voltage	208-230/460 V
Current	2.1-2.0/1.0 A	Speed	1140 rpm
Service Factor	1.15	Phase	3
Efficiency	80 %	Power Factor	59
Duty	Continuous	Insulation Class	F
Design Code	B	KVA Code	K
Frame	56C	Enclosure	Totally Enclosed Non Ventilated
Thermal Protection	No	Ambient Temperature	40 °C
Drive End Bearing Size	6205	Opp Drive End Bearing Size	6203
UL	Recognized	CSA	Y
CE	Y	IP Code	55

Technical Specifications


Electrical Type	Squirrel Cage Inverter Rated	Starting Method	Line Or Inverter
Poles	4	Rotation	Reversible
Resistance Main	25.6 Ohms	Mounting	Round
Motor Orientation	Horizontal	Drive End Bearing	Ball
Opp Drive End Bearing	Ball	Frame Material	Stainless Steel
Shaft Type	NEMA 56	Overall Length	9.78 in
Shaft Diameter	0.625 in	Shaft Extension	2.06 in
Assembly/Box Mounting	F1 ONLY		

This is an uncontrolled document once printed or downloaded and is subject to change without notice. Date Created:01/11/2019



MAXIMUM FACE RUNOUT TO BE .004 T.I.R.
MAXIMUM PILOT ECCENTRICITY .004 T.I.R.
PERMISSIBLE SHAFT RUNOUT .002 T.I.R.

GASKETS THROUGHOUT

				TOLERANCES UNLESS SPECIFIED		 ELECTRIC MOTORS GEARMOTORS AND DRIVES	DRAWN	MGM 04/10/03		
				DEC.	INCHES		CHK	RDW 04/10/03		
				.X	±.1		APPD			
				.XX	±.03	TITLE	SCALE	3=8		
02	UPDATED SHAFT EXT DIMS	RDW 4/26/04	SW	.XXX	±.005	OUTLINE - 56C FRAME TENV - "C" FACE	REF			
01	CONDUIT HOLE WAS 1/2-14 NPT, DIM .157 WAS .12	SW 10/7/2003	RDW	.XXXX	±.0005	MAT'L.	FMF			
NO.	REVISION	BY & DATE	CHK	ANG	±1/2"	FINISH	PREV			
THIS DRAWING IN DESIGN AND DETAIL IS OUR PROPERTY AND MUST NOT BE USED EXCEPT IN CONNECTION WITH OUR WORK ALL RIGHTS OF DESIGN AND INVENTION ARE RESERVED THIS IS AN ELECTRONICALLY GENERATED DOCUMENT - DO NOT SCALE THIS PRINT				RFP		CAD FILE	16993000	SIZE	DRAWING NO.	REV.
				DIST				A	169930.00	01



P.O. BOX 8003
WAUSAU, WI 54401-8003
PH. 715-675-3311

DATA VOLTS: 460

CERTIFICATION DATA SHEET

CUSTOMER P.O. #:
 ORDER #: 00501001 REFERENCE MODEL #: 56T11VD5378
 CONN. DIAGRAM: 16993000 CAT #: N426
 WINDING: QT6363 NR 3 CUSTOMER PART #:
 SPEED: MOUNTING: F1 ONLY

TYPICAL MOTOR PERFORMANCE DATA

HP	KW	SYNC RPM	FL RPM	FRAME	ENCLOSURE	TYPE	KVA CODE	DESIGN
0.5	0.37	1200	1164	56C	TENV	NA	K	B

PH	HZ	VOLTS	AMPS	START TYPE	DUTY	INSL	S.F.	AMB	ELEV.
3	60/50	208-230/460#190/380	2.1-2/7 & 1.9/.95	LINE OR INVERTER	CONT	F	1.15	40	3300
	F.L. EFF	79.2	3/4 LD EFF	77.7	1/2 LD EFF	72.4	GTD EFF	ELECT. TYPE	
	F.L. PF	60.9	3/4 LD PF	52.7	1/2 LD PF	41.5	0.0	SO CAGE INV BATED	

F.L. TORQUE	LR AMPS @ 460 V	L.R. TORQUE	B.D. TORQUE	F.L. RISE (°C)
578 LB-FT	5.6	1,429 LB-FT	2,128 LB-FT	76
@ 3 FT.	POWER	ROTOR WK ²	MAX. LOAD WK ²	SAFE STALL TIME
54 DBA	63 DBA	0.08 LB-FT ²	0 LB-FT ²	0 SEC.
				START/SHOUR
				MOTOR WGT
				0 LB.

*** SUPPLEMENTAL INFORMATION ***

DE BRACKET TYPE	ODE BRACKET TYPE	MOUNT TYPE	MOTOR ORIENTATION	SEVERE DUTY	HAZARDOUS LOCATION	DRIP COVER	SCREENS	PAINT
C-FACE	STANDARD	ROUND	HORIZONTAL	NO	NONE	NO	NONE	NO PAINT

BEARINGS	GREASE	SHAFT TYPE	SPECIAL DE	SPECIAL ODE	SHAFT MATERIAL	FRAME MATERIAL
DE BALL 6205	POLYREX EM	STANDARD 56	NONE	NONE	303 STAINLESS (C-501)	STAINLESS STEEL

THERMOSTATS	PROTECTORS	WDG RTD's	BRG RTD's	THERMISTORS	CONTROL	SPACE HEATERS
NONE	NOT	NONE	NONE	NONE	FALSE	NA

R1 (ohms/ph)	R2 (ohms/ph)	X1 (ohms/ph)	X2 (ohms/ph)	Xm (ohms/ph)	VIBRATION (in/sec)	FLOAT
0	0	0	0	0	0.080	ODE

INVERTER TORQUE: CONSTANT 1000:1
 INV. HP SPEED RANGE: NONE

ENCODER: NONE	NONE PPR
BRAKE: NONE	
FT-LB: NONE	NONE
VOLTAGE: NONE	NONE

PREPARED BY: FAREEDA DUDEKULA
 DATE: 9/17/2018

FORM: 3531 REV 4 2/27/06

UL: V-INS, CONST UL REC

HZ:

Data Sheet

56T11VD5378



Submital Data @ 460 V

Date: 12/10/2018
 Customer:
 Attention:
 Submitted by: FAREEDA DUDEKULA

Motor Load Data

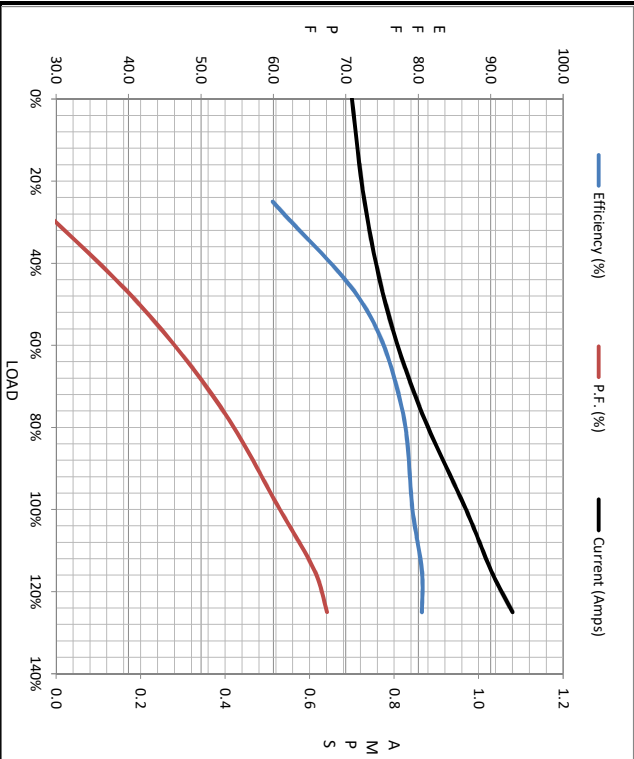
Load	0%	25%	50%	75%	100%	115%	125%	LR
Current (Amps)	0.70	0.73	0.78	0.86	0.97	1.03	1.08	5.6
Torque (ft-lb)	0.00	142	285	430	578	675	730	1,429
RPM	1200	1190	1182	1174	1164	1,158	1,153	0
Efficiency (%)		59.9	72.4	77.7	79.2	80.5	80.5	
P.F. (%)	107.6	27.0	41.5	52.7	60.9	65.7	67.4	0.0

Motor Speed Data

	LR	Pull-Up	BD	Rated	Idle
Speed (RPM)	0	100	864	1164	1200
Current (Amps)	5.6	5.2	3.4	0.97	0.70
Torque (ft-lb)	1,429	1,421	2,128	578	0.00

Information Block

HP	0.5
Sync. RPM	1200
Frame	56
Enclosure	TENV
Construction	TS
Voltage	208-230/460#190/380 V
Frequency	60 Hz
Design	B
LR Code letter	K
Service Factor	1.15
Temp Rise @ FL	76 °C
Duty	CONT
Ambient	40 °C
Elevation	1,000 feet
Motor/Shaft wk ²	0.08 Lb-Ft ²
Ret Wdg	Q16363 NR
Sound Pressure @ 1M	54 dBA
VFD Rating	CONSTANT 1000:1
Outline Dwg	16993000
Conn. Diag	005010.01
Additional Specifications:	
0	
0	
	EQUIV CKT (OHMS / PHASE)
	R1 R2 X1 X2 Xn
	0.0000 0.0000 0.0000 0.0000 0.0000



Speed - Torque Curve

