

PRODUCT INFORMATION PACKET

marathon[®]
Motors

Model No: 056T11D5209
Catalog No: X235
1,1140,DP,56,3/60/200-230/460
Other Purpose



Regal and Marathon are trademarks of Regal Beloit Corporation or one of its affiliated companies.
©2018 Regal Beloit Corporation, All Rights Reserved. MC017097E

REGAL[®]



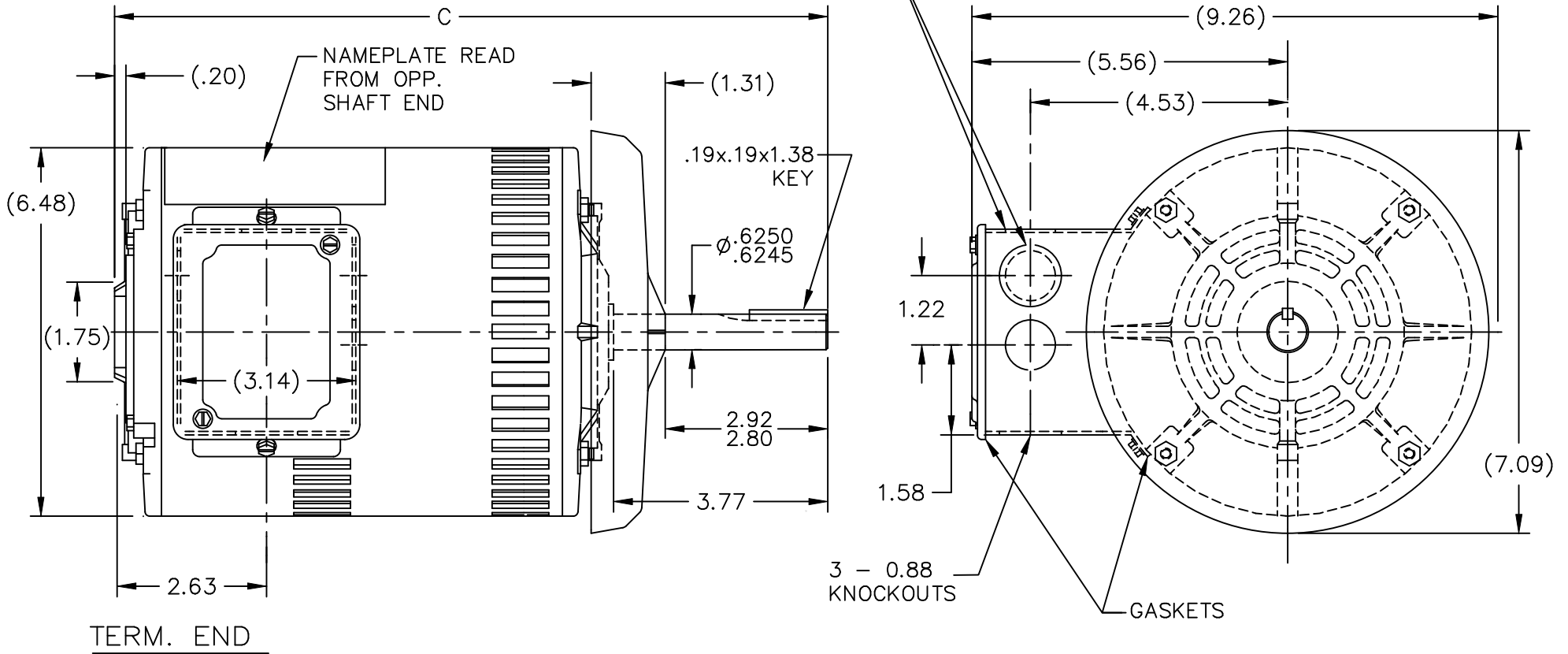
Nameplate Specifications

Output HP	1 Hp	Output KW	0.75 kW
Frequency	60 Hz	Voltage	200-230/460 V
Current	6.6-6.0/3.0 A	Speed	1140 rpm
Service Factor	1	Phase	3
Efficiency	78.1 %	Duty	Continuous
Insulation Class	B	Design Code	NO DESIGN CODE
KVA Code	M	Frame	56
Enclosure	Drip Proof Air Over	Overload Protector	Auto Lock Rotor Only
Ambient Temperature	70 °C	Drive End Bearing Size	6203
Opp Drive End Bearing Size	6203	UL	Recognized
CSA	Y	CE	N
IP Code	22		

Technical Specifications

Electrical Type	Squirrel Cage Induction Run	Starting Method	Across The Line
Poles	6	Rotation	Reversible
Mounting	Round Belly Band	Motor Orientation	Horizontal
Drive End Bearing	Ball	Opp Drive End Bearing	Ball
Frame Material	Rolled Steel	Shaft Type	T
Overall Length	14.8 in	Shaft Diameter	0.625 in
Shaft Extension	1.88 in	Assembly/Box Mounting	F1 Only
Outline Drawing	A-100049-888	Connection Diagram	A-EE7335

This is an uncontrolled document once printed or downloaded and is subject to change without notice. Date Created: 06/29/2018



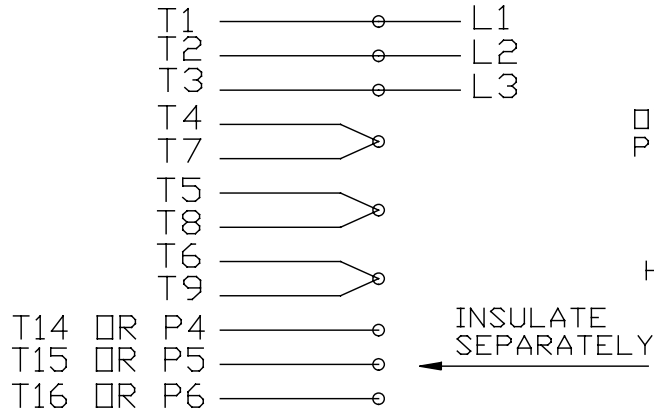
DASH	FRAME	C		
888	56	14.80		
988	56	15.80		

NOTES:
CONDUIT BOX CAN BE ROTATED 180°

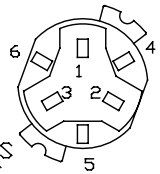
NO.	REVISION	BY & DATE	CHK	ANG	TOLERANCES UNLESS SPECIFIED	FINISH	PREV
10	REVISED DRIP COVER LOCATION CN09-2076	TJW 6/4/2009	CTO	DEC.	INCHES		DRAWN LZ 01-11-1994
9	REVISED DRIP COVER GEOMETRY CN 39497	DRS 08-29-2005	ML	.X	$\pm .1$		CHK ML 01-13-1994
8	CHG. D.E. EXT & STEP F-4.19 T-3.77 CN32803	RWR 08-05-2004	ML	.XX	$\pm .03$		APPD GK 01-13-1994
7	REVISED BRG. STEP CN 31690	TJB 06-12-2002	ML	.XXX	$\pm .005$	TITLE OUTLINE 56 - 140FR. - DR. PR.	SCALE 3=8
6	REDRAWN ON CADD	LZ 02-02-1994		.XXXX	$\pm .0005$	MAT'L.	REF
					$\pm 7'30''$		FMF
							PREV
THIS DRAWING IN DESIGN AND DETAIL IS OUR PROPERTY AND MUST NOT BE USED EXCEPT IN CONNECTION WITH OUR WORK ALL RIGHTS OF DESIGN AND INVENTION ARE RESERVED THIS IS AN ELECTRONICALLY GENERATED DOCUMENT - DO NOT SCALE THIS PRINT						RFP	
						DIST WP	
						CAD FILE 100049	
						SIZE A	DRAWING NO. 100049
							PAGE 1 OF 1
							REV. 10

EE7335

HIGH VOLTAGE CONNECTIONS

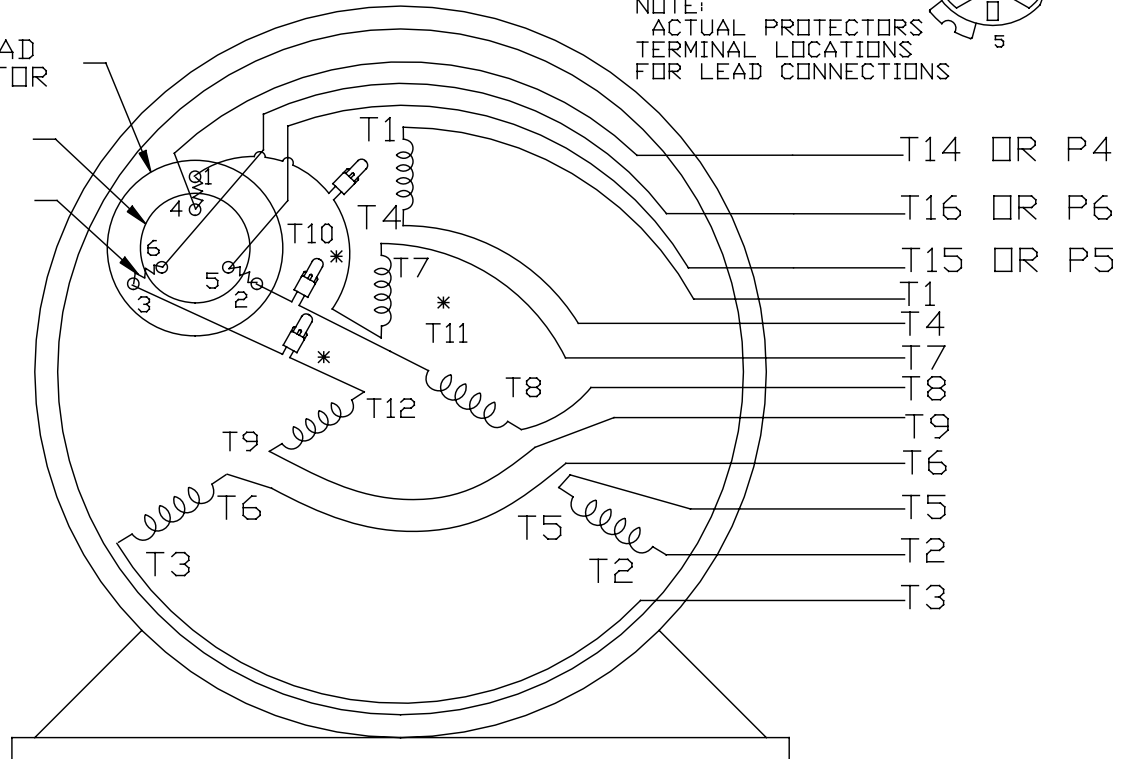


THREE PHASE - DUAL VOLTAGE MOTOR WITH OVERLOAD PROTECTOR



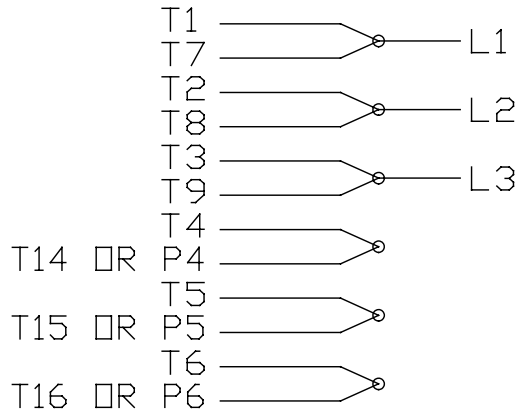
NOTE:
ACTUAL PROTECTORS
TERMINAL LOCATIONS
FOR LEAD CONNECTIONS

OVERLOAD PROTECTOR
DISC
HEATER




VIEW OF TERMINAL END

LOW VOLTAGE CONNECTIONS



* USE PRESSURE CONNECTORS FOR MT2 PLANT ONLY

T2K
T4D
T6AN

NO.	REVISION	BY & DATE	CHK	TOLERANCES UNLESS SPECIFIED		FINISH	DRAWN	SCALE	REV.	
				ANG	±1/2*					
17	CHANGED LOGO FROM MARATHON TO REGAL	KIR 02/16/16	AB	DEC.	INCHES	 Regal Beloit America, Inc.	KL	08-09-1993	17	
16	PRESSURE CONNECTORS QUANTITY WAS 6	PVR 10/29/13	GR	.X	±.1		CHK	ML	08/10/1993	
15	PRESSURE CONNECTORS ADDED	GR 03/04/13	SR	.XX	±.01	TITLE	GK	08/10/1993	17	
14	ADDED ACTUAL PROECTOR VIEW CN 17481	KL 05/18/94		.XXX	±.005	CONNECTION DIAGRAM		1=1	17	
13	REDRAWN IN AUTO CAD	KL 08/11/93		.XXXX	±.0005	3Ø-DUAL VOLT WITH OVERLOAD PROTECTO	REF		17	
						MAT'L.	FMF		17	
							PREV		17	
THIS DRAWING IN DESIGN AND DETAIL IS OUR PROPERTY AND MUST NOT BE USED EXCEPT IN CONNECTION WITH OUR WORK ALL RIGHTS OF DESIGN AND INVENTION ARE RESERVED THIS IS AN ELECTRONICALLY GENERATED DOCUMENT - DO NOT SCALE THIS PRINT						RFP	CAD FILE	EE7335	SIZE	DRAWING NO.
						DIST			A	EE7335

CERTIFICATION DATA SHEET

Model#: 56T11D5209 E WINDING#: ZT668 R1 3
CONN. DIAGRAM: A-EE7335 ASSEMBLY: F1 ONLY
OUTLINE: A-100049-888

TYPICAL MOTOR PERFORMANCE DATA

Table with 8 columns: HP, KW, SYNC. RPM, F.L. RPM, FRAME, ENCLOSURE, KVA CODE, DESIGN. Data includes values for 1 HP, .75 KW, 1200 RPM, 1140 F.L. RPM, 56 FRAME, DPAO ENCLOSURE, M KVA CODE, NO DESIGN CODE.

*** SUPPLEMENTAL INFORMATION ***

Table with 9 columns: DE BRACKET TYPE, ODE BRACKET TYPE, MOUNT TYPE, ORIENTATION, SEVERE DUTY, HAZARDOUS LOCATION, DRIP COVER, SCREENS, PAINT. Values include STANDARD, ROUND BELLY BAND, HORIZONTAL, FALSE, NONE, FALSE, NONE, GRAY (POWDER).

Table with 8 columns: BEARINGS (DE, OPE), GREASE, SHAFT TYPE, SPECIAL DE, SPECIAL ODE, SHAFT MATERIAL, FRAME MATERIAL. Values include BALL, 6203, POLYREX EM, T, NONE, NONE, 1144 STRESSPROOF (C-223), ROLLED STEEL.

Table with 7 columns: THERMO-PROTECTORS (THERMOSTATS, PROTECTORS, WDG RTDs, BRG RTDs), THERMISTORS, CONTROL, SPACE /n HEATERS. Values include NONE, AUT LCK RTR ONLY, NONE, NONE, NONE, FALSE, NONE VOLTS.

If Inverter equals NONE, contact factory for further information

Table with 2 columns: INVERTER TORQUE: NONE, INV. HP SPEED RANGE: NONE, ENCODER: NONE, BRAKE: NONE, NONE FT-LB, NONE V, NONE Hz.

*
N
O
T
E
S
*

DATE: 06/21/2017 09:19:16 AM
FORM 3531 REV.3 02/07/99
** Subject to change without notice.