

PRODUCT INFORMATION PACKET

marathon[®]
Motors

Model No: 056S84DRS40001A1
Catalog No: HG705A
1/1-1/15,1725/850,DP,56Z,1/60/115
Fan and Blower



Regal and Marathon are trademarks of Regal Beloit Corporation or one of its affiliated companies.
©2018 Regal Beloit Corporation, All Rights Reserved. MC017097E

REGAL[®]

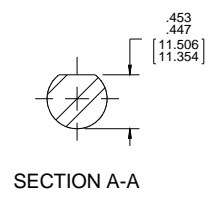
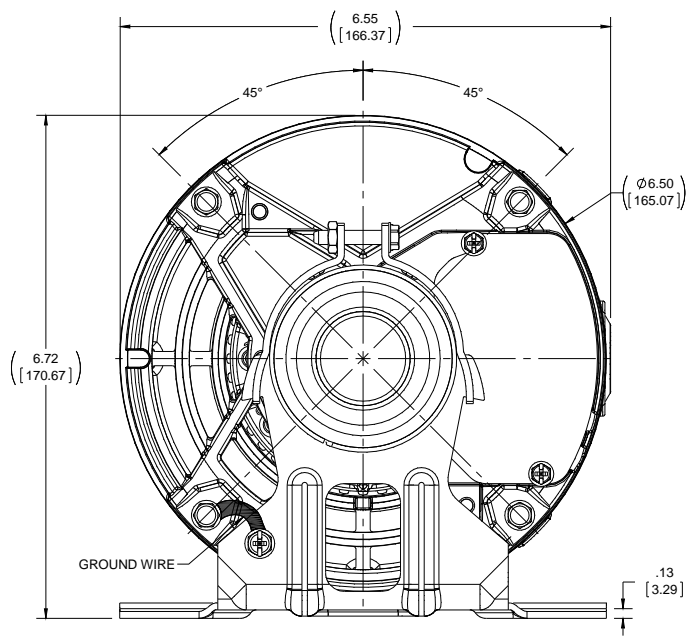
Nameplate Specifications

Output HP	0.33,0.07 Hp	Output KW	0.25 kW
Frequency	60 Hz	Voltage	115 V
Current	4.6,2.2 A	Speed	1725,850 rpm
Service Factor	1	Phase	1
Efficiency	68 %	Duty	Continuous
Insulation Class	B	Design Code	2VT
KVA Code	N	Frame	56Z
Enclosure	Drip Proof	Overload Protector	Automatic
Ambient Temperature	40 °C	Drive End Bearing Size	6203
Opp Drive End Bearing Size	6203	UL	Recognized
CSA	Y	CE	Y
IP Code	22		

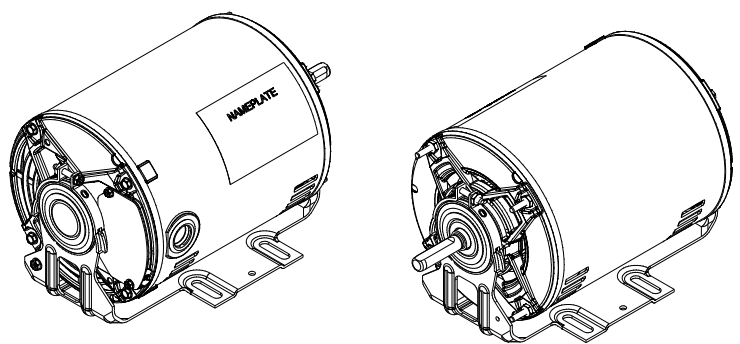
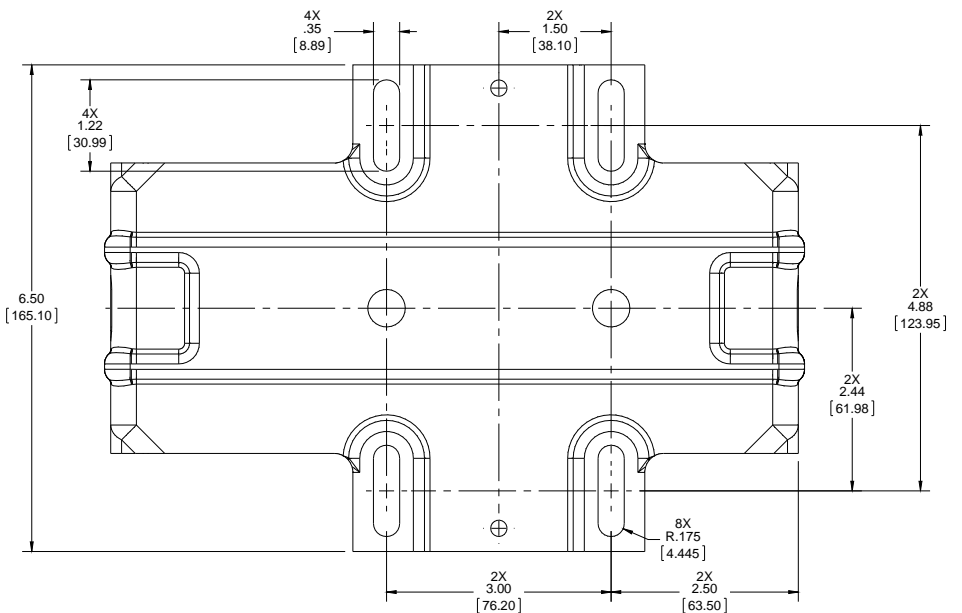
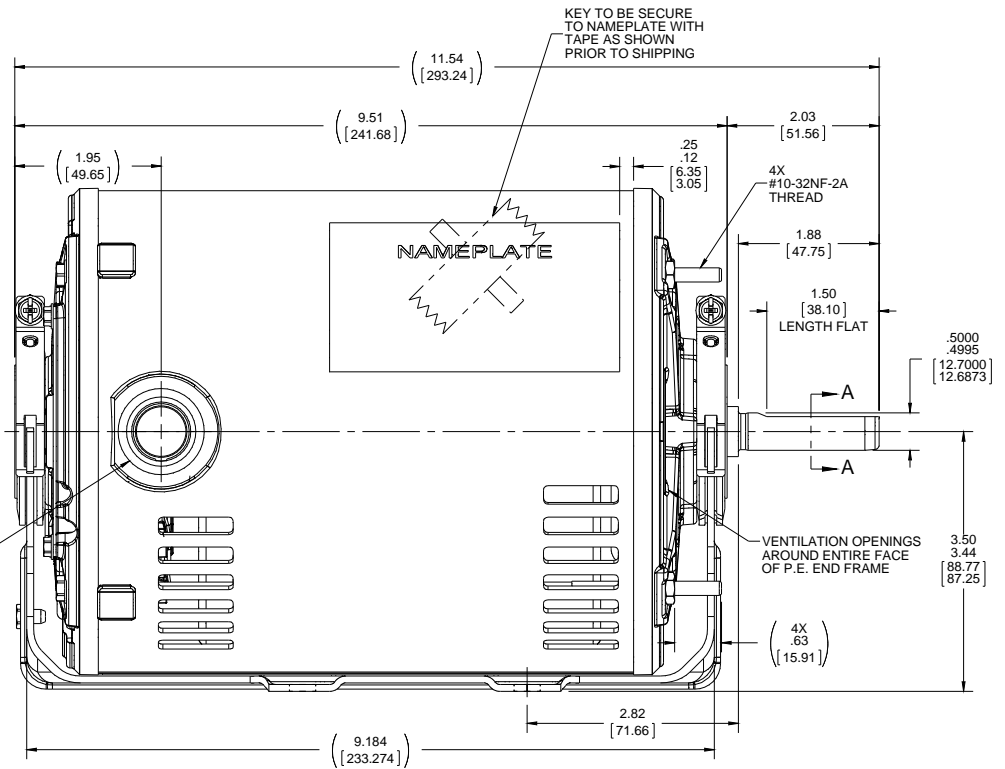
Technical Specifications

Electrical Type	Split Phase	Starting Method	Across The Line
Poles	4//8	Rotation	Selective Clockwise
Mounting	Resilient Base	Motor Orientation	HORIZONTAL
Drive End Bearing	BALL	Opp Drive End Bearing	BALL
Frame Material	Rolled Steel	Shaft Type	Single Special Extension
Overall Length	11.54 in	Frame Length	6.50 in
Shaft Diameter	0.625 in	Shaft Extension	2.03 in
Assembly/Box Mounting	F1 ONLY		
Outline Drawing	OL56100066-001	Connection Diagram	CDSM106

This is an uncontrolled document once printed or downloaded and is subject to change without notice. Date Created: 10/30/2018

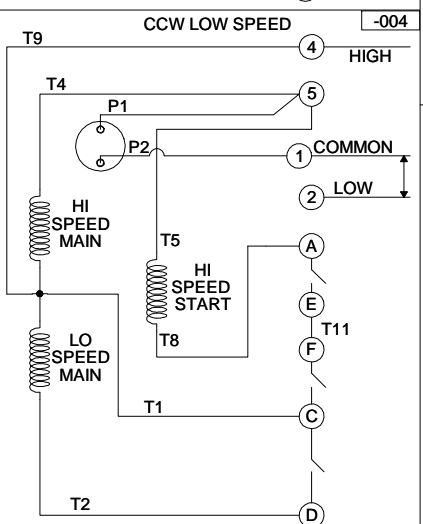
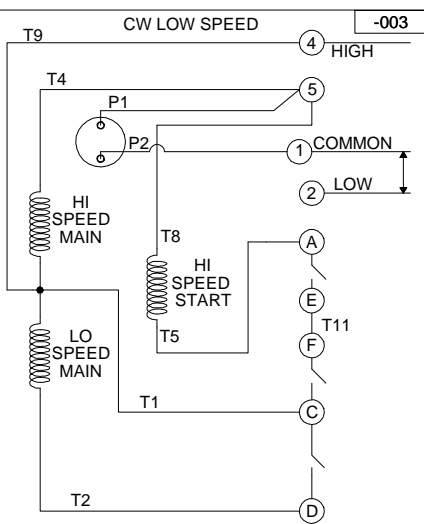
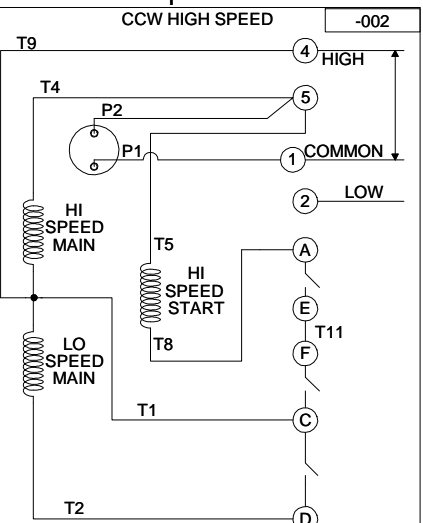
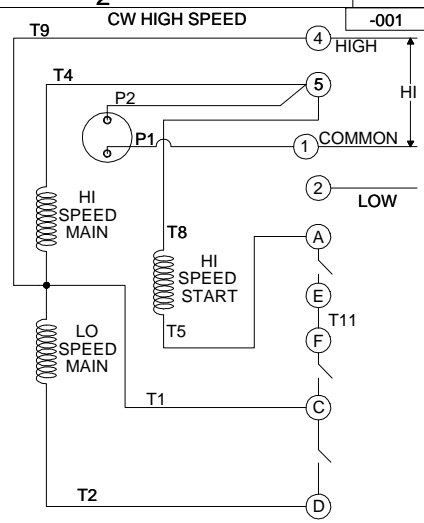
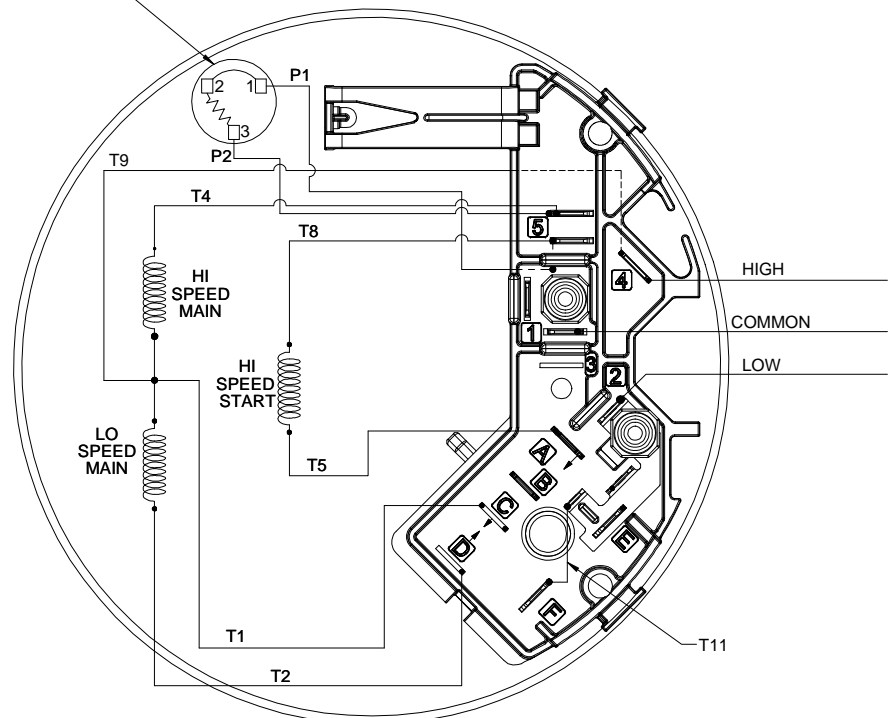


THREADED HOLE
1/2-14 NPSM
PLUGGED



DRAWING REVISION A	REVISION BY D.VALENCIANO	DATE 04-21-2016	TOLERANCES UNLESS OTHERWISE SPECIFIED: DEC. INCH mm ANGLE	DRAWN BY D.VALENCIANO	Regal Beloit America, Inc.
ECO ECO-0100621	APPROVED BY J.ORTEGA	DATE 04-21-2016	.X ±0.1 [±2.5] ±0.5° .XX ±0.03 [±0.76] .XXX ±0.005 [±0.127] .XXXX ±0.0005 [±0.0127]	DATE 04-21-2016	
NEW MODEL RELEASE			REMOVE BURRS & BREAK SHARP EDGES: .0031 015 [076/381] X 45° CORNER FILLETS: R.02 [51]	APPROVED BY J.ORTEGA	DESCRIPTION OUTLINE 56FR, DP, 1-PHASE
<small>COPYRIGHT REGAL BELOIT AMERICA, INC. ALL RIGHTS RESERVED. PROPRIETARY AND CONFIDENTIAL INFORMATION. THIS DOCUMENT IS THE PROPERTY OF REGAL BELOIT AMERICA, INC. (OWNER) AND CONTAINS OWNER'S PROPRIETARY INFORMATION. ANY PERSON, CORPORATION OR OTHER FIRM RECEIVING IT IS DEEMED BY RECEIVING IT, TO AGREE THAT IT, AND/OR ANY PART OF IT, SHALL NOT BE DISCLOSED TO ANY PERSON, CORPORATION OR OTHER ENTITY, DUPLICATED, AND/OR USED, EXCEPT AS EXPRESSLY APPROVED IN WRITING IN ADVANCE BY OWNER. THIS DOCUMENT SHALL BE RETURNED TO OWNER UPON REQUEST. IT MAY BE SUBJECT TO CERTAIN RESTRICTIONS UNDER APPLICABLE EXPORT CONTROL LAWS AND REGULATIONS.</small>			MATERIAL SKH4ENN3039T	PROCESS/FINISH	
<small>mm SHOWN IN [BRACKETS]</small>			THIRD ANGLE PROJECTION	SIZE C	DRAWING NUMBER OL56100066-001
					SHEET 1 OF 1

PROTECTOR
(WHEN SPECIFIED)



CCW/CW ROTATIONSPLIT PHASE DUAL SPEED (HIGH SPEED START)

NOTES:

1. TO REVERSE ROTATION, INTERCHANGE T5 & T8
2. SWITCH TERMINAL BOARD 10006711-001-001
3. CONNECTION DIAGRAM-NAMEPLATE DD10032-001

DRAWING REVISION A	REVISION BY G. RODRIGUEZ	DATE 04-21-2016
ECO ECO-0150207	APPROVED BY R. VALENZUELA	DATE 04-21-2016
ECO DESCRIPTION NEW RELEASE		
<small>COPYRIGHT REGAL BELOIT AMERICA, INC. ALL RIGHTS RESERVED. PROPRIETARY AND CONFIDENTIAL INFORMATION - THIS DOCUMENT IS THE PROPERTY OF REGAL BELOIT AMERICA, INC. (OWNER) AND CONTAINS OWNER'S PROPRIETARY INFORMATION. ANY PERSON, CORPORATION OR OTHER FIRM RECEIVING IT IS DEEMED, BY RECEIVING IT, TO AGREE THAT IT, AND/OR ANY PART OF IT, SHALL NOT BE DISCLOSED TO ANY PERSON, CORPORATION OR OTHER ENTITY, DUPLICATED, AND/OR USED, EXCEPT AS EXPRESSLY APPROVED IN WRITING IN ADVANCE BY OWNER. THIS DOCUMENT SHALL BE RETURNED TO OWNER UPON REQUEST. IT MAY BE SUBJECT TO CERTAIN RESTRICTIONS UNDER APPLICABLE EXPORT CONTROL LAWS AND REGULATIONS.</small>		

TOLERANCES UNLESS OTHERWISE SPECIFIED:			
DECL.	INCH	mm	ANGLE
.X	+0.1	[+2.5]	±0.5°
.XX	+0.01	[+0.25]	
.XXX	+0.005	[+0.127]	
.XXXX	+0.0005	[+0.0127]	
REMOVE BURRS & BREAK SHARP			
EDGES: .003/.015 [0.076/.381]			
CORNER FILLETS: .02 [51]			
MACHINED SURFACES: 125/3.2			
mm SHOWN IN [BRACKETS]			

DRAWN BY G. RODRIGUEZ	DATE 04-21-2016
APPROVED BY R. VALENZUELA	DATE 04-21-2016
REFERENCE CDDC102	THIRD ANGLE PROJECTION

Regal Beloit America, Inc.	
DESCRIPTION CONN DIAGRAM-EXTERNAL	
MATERIAL	PROCESS/FINISH
SIZE B	DRAWING NUMBER CDSM106
SHEET 1 OF 1	