

# PRODUCT INFORMATION PACKET

**marathon**<sup>®</sup>  
Motors

Model No: 056S34D93  
Catalog No: O201  
1/3,3450,DP,56C,1/60/115  
Single Phase



Regal and Marathon are trademarks of Regal Beloit Corporation or one of its affiliated companies.

©2018 Regal Beloit Corporation, All Rights Reserved. MC017097E

**REGAL**

### Nameplate Specifications

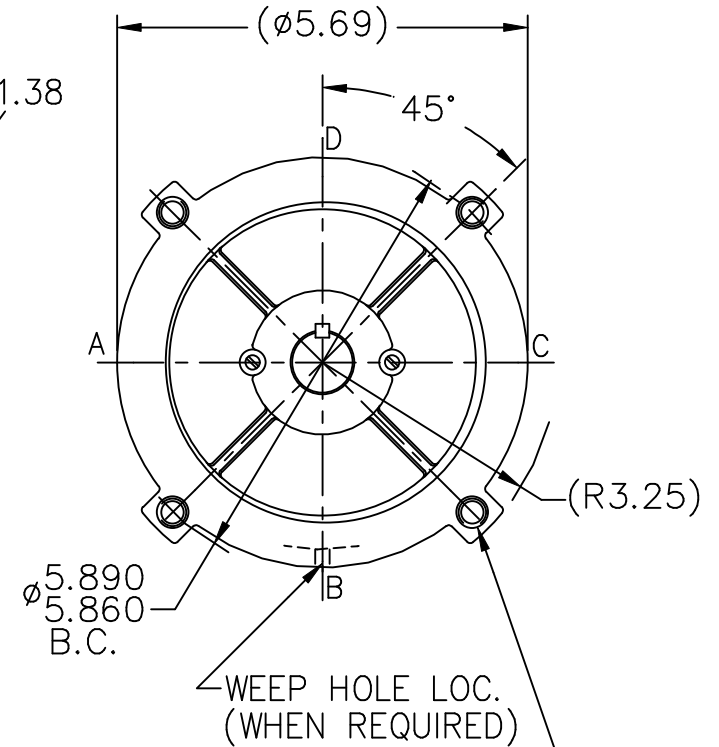
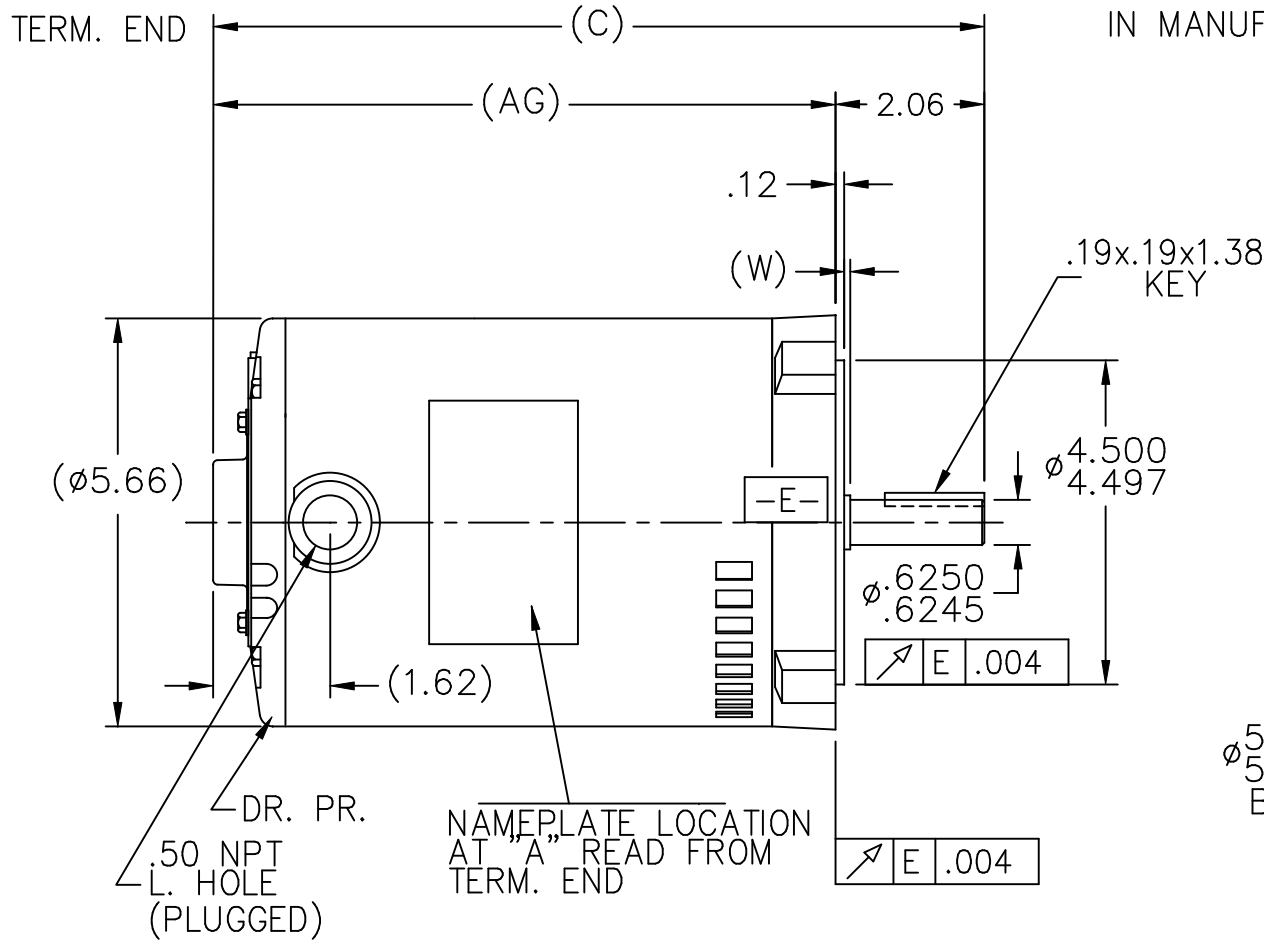
Output HP	<b>0.33 Hp</b>	Output KW	<b>0.25 kW</b>
Frequency	<b>60 Hz</b>	Voltage	<b>115 V</b>
Current	<b>5.5 A</b>	Speed	<b>3450 rpm</b>
Service Factor	<b>1.35</b>	Phase	<b>1</b>
Efficiency	<b>63.4 %</b>	Duty	<b>Continuous</b>
Insulation Class	<b>B</b>	Design Code	<b>NO DESIGN CODE</b>
KVA Code	<b>T</b>	Frame	<b>56C</b>
Enclosure	<b>Drip Proof</b>	Overload Protector	<b>Automatic</b>
Ambient Temperature	<b>40 °C</b>	Drive End Bearing Size	<b>6203</b>
Opp Drive End Bearing Size	<b>6203</b>	UL	<b>Recognized</b>
CSA	<b>Y</b>	CE	<b>Y</b>
IP Code	<b>22</b>		

### Technical Specifications

Electrical Type	<b>Split Phase</b>	Starting Method	<b>Across The Line</b>
Poles	<b>2</b>	Rotation	<b>Fixed Clockwise</b>
Mounting	<b>Round</b>	Motor Orientation	<b>Horizontal</b>
Drive End Bearing	<b>Ball</b>	Opp Drive End Bearing	<b>Ball</b>
Frame Material	<b>Rolled Steel</b>	Shaft Type	<b>NEMA 56</b>
Overall Length	<b>10.44 in</b>	Frame Length	<b>6.50 in</b>
Shaft Diameter	<b>0.625 in</b>	Shaft Extension	<b>2.06 in</b>
Assembly/Box Mounting	<b>F1 Only</b>		
Outline Drawing	<b>A-SS75601-650</b>	Connection Diagram	<b>A-EE7195D</b>

**This is an uncontrolled document once printed or downloaded and is subject to change without notice. Date Created: 07/02/2018**

'W' = CLEARANCE ALLOWED FOR ALL VARIANCES  
IN MANUFACTURING & ASSEMBLY

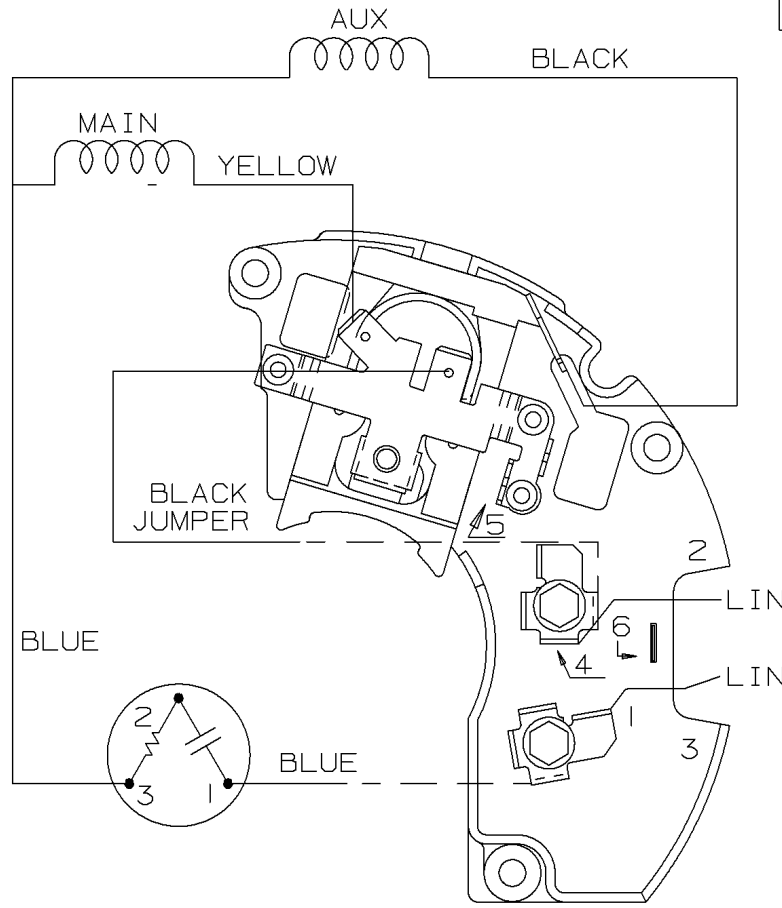
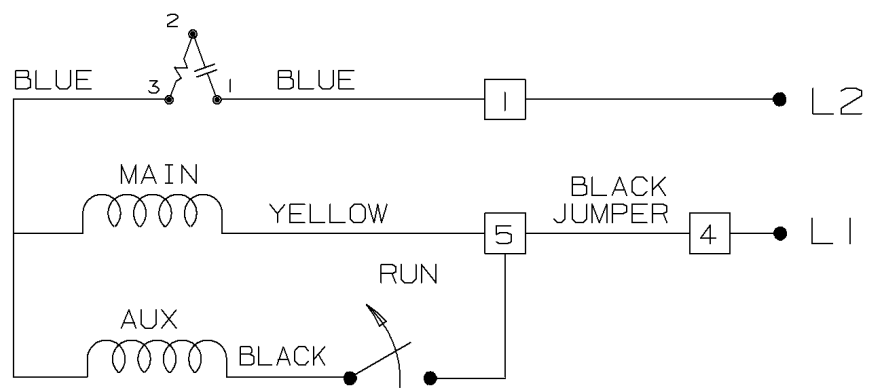


3/8-16 UNC-2B  
.56 MIN. FULL THD.  
4 HOLES

DASH	FR	C	AG
625	56C	10.19	8.12
650	56C	10.44	8.37

				TOLERANCES UNLESS SPECIFIED		MARATHON ELECTRIC	DRAWN RM 10-05-1992							
				DEC.	INCHES		CHK	ML	10-05-1992					
				.X	±.1	TITLE OUTLINE	APPD	JAY	10-07-1992					
3	UPDATED MOTOR PER CN 32487		ERH 11-17-2003	ML	.XX		±.03	SCALE	3=8					
2	REMOVED OIL PLUG CN 26772		BJW 03-06-2000		.XXX		±.005	REF						
1	NEW DRAWING 3958920		RM 190-09-1992		.XXXX		±.0005	MAT'L.	FMF					
NO.	REVISION		BY & DATE	CHK	ANG		±'30"	FINISH	PREV					
THIS DRAWING IN DESIGN AND DETAIL IS OUR PROPERTY AND MUST NOT BE USED EXCEPT IN CONNECTION WITH OUR WORK ALL RIGHTS OF DESIGN AND INVENTION ARE RESERVED THIS IS AN ELECTRONICALLY GENERATED DOCUMENT - DO NOT SCALE THIS PRINT				RFP			CAD FILE	ss75601		SIZE	DRAWING NO.	PAGE	OF	REV.
				DIST	WP		A	SS75601		3				

SINGLE VOLTAGE - SPLIT PHASE MOTOR  
 CW ROTATION NON REVERSIBLE  
 WITH OVERLOAD PROTECTION



VIEWING TERMINAL END

C.W. ROTATION ONLY.

DASH LINES INDICATE LEADS CONNECTED TO MOTOR SIDE OF SWITCH.

		125 SURFACE ROUGHNESS UNLESS NOTED OTHERWISE	UNLESS OTHERWISE SPECIFIED DIMENSIONS ARE IN INCHES TOL ON XX± XXX±.005 XXXX±.0005 ANGLES±		
		MATL SPEC	REPLACES EE7113Z (NEMA COLORS)		DRAWN BY ML 5-
		FINISH			CHKD BY GK 6-
			WAUSAU, WISCONSIN 54401		APPD BY DRN 6-
			CONNECTION DIAGRAM		DRWG NO

**CERTIFICATION DATA SHEET**

**Model#:** 56S34D93 B   **WINDING#:** SE482146 NONE 1  
**CONN. DIAGRAM:** A-EE7195D   **ASSEMBLY:** F1 ONLY  
**OUTLINE:** A-SS75601-650

**TYPICAL MOTOR PERFORMANCE DATA**

HP	KW	SYNC. RPM	F.L. RPM	FRAME	ENCLOSURE	KVA CODE	DESIGN
1/3	0.25	3600	3450	56C	DP	T	NO DESIGN CODE

PH	Hz	VOLTS	FL AMPS	START TYPE	DUTY	INSL	S.F	AMB°C	ELEVATION
1	60	115	5.5	ACROSS THE LINE	CONTINUOUS	B3	1.35	40	3300

FULL LOAD EFF:	3/4 LOAD EFF: -	1/2 LOAD EFF: -	GTD. EFF	ELEC. TYPE	NO LOAD AMPS
63.4				SPLIT PHASE	4.3

F.L. TORQUE	LOCKED ROTOR AMPS	L.R. TORQUE	B.D. TORQUE	F.L. RISE°C
8 LB-FT	52.2	14.9 LB-FT -	21.9 LB-FT -	-

SOUND PRESSURE @ 3 FT.	SOUND POWER	ROTOR WK^2	MAX. WK^2	SAFE STALL TIME	STARTS /HOUR	APPROX. MOTOR WGT
- dBA	- dBA	- LB-FT^2	- LB-FT^2	- SEC.	-	- LBS.

**\*\*\* SUPPLEMENTAL INFORMATION \*\*\***

DE BRACKET TYPE	ODE BRACKET TYPE	MOUNT TYPE	ORIENTATION	SEVERE DUTY	HAZARDOUS LOCATION	DRIP COVER	SCREENS	PAINT
C-FACE	OIL BURNER	ROUND	HORIZONTAL	FALSE	NONE	FALSE	NONE	GRAY (POWDER)

BEARINGS		GREASE	SHAFT TYPE	SPECIAL DE	SPECIAL ODE	SHAFT MATERIAL	FRAME MATERIAL
DE	OPE						
BALL	BALL	POLYREX EM	STANDARD 56	NONE	NONE	1144 STRESSPROOF (C-223)	ROLLED STEEL
6203	6203						

THERMO-PROTECTORS				THERMISTORS	CONTROL	SPACE /n HEATERS
THERMOSTATS	PROTECTORS	WDG RTDs	BRG RTDs			
NONE	AUTOMATIC	NONE	NONE	NONE	FALSE	NONE VOLTS

If Inverter equals NONE, contact factory for further information

INVERTER TORQUE: NONE
INV. HP SPEED RANGE: NONE
ENCODER: NONE
NONE NONE
NONE NONE PPR
BRAKE: NONE NONE
NONE P/N NONE
NONE NONE
NONE FT-LB NONE V NONE Hz

\*  
N  
O  
T  
E  
S  
\*

DATE: 06/28/2017 02:24:26 AM  
 FORM 3531 REV.3 02/07/99  
 \*\* Subject to change without notice.