

PRODUCT INFORMATION PACKET

marathon[®]
Motors

Model No: 056S34D2000
Catalog No: O200
1/4,3450,DP,56C,1/60/115
Single Phase



Regal and Marathon are trademarks of Regal Beloit Corporation or one of its affiliated companies.

©2018 Regal Beloit Corporation, All Rights Reserved. MC017097E

REGAL

Nameplate Specifications

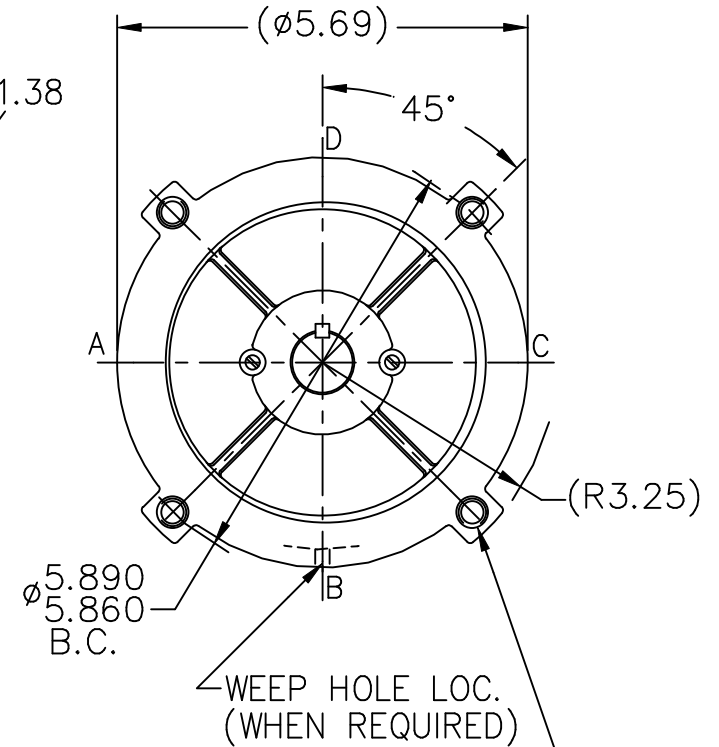
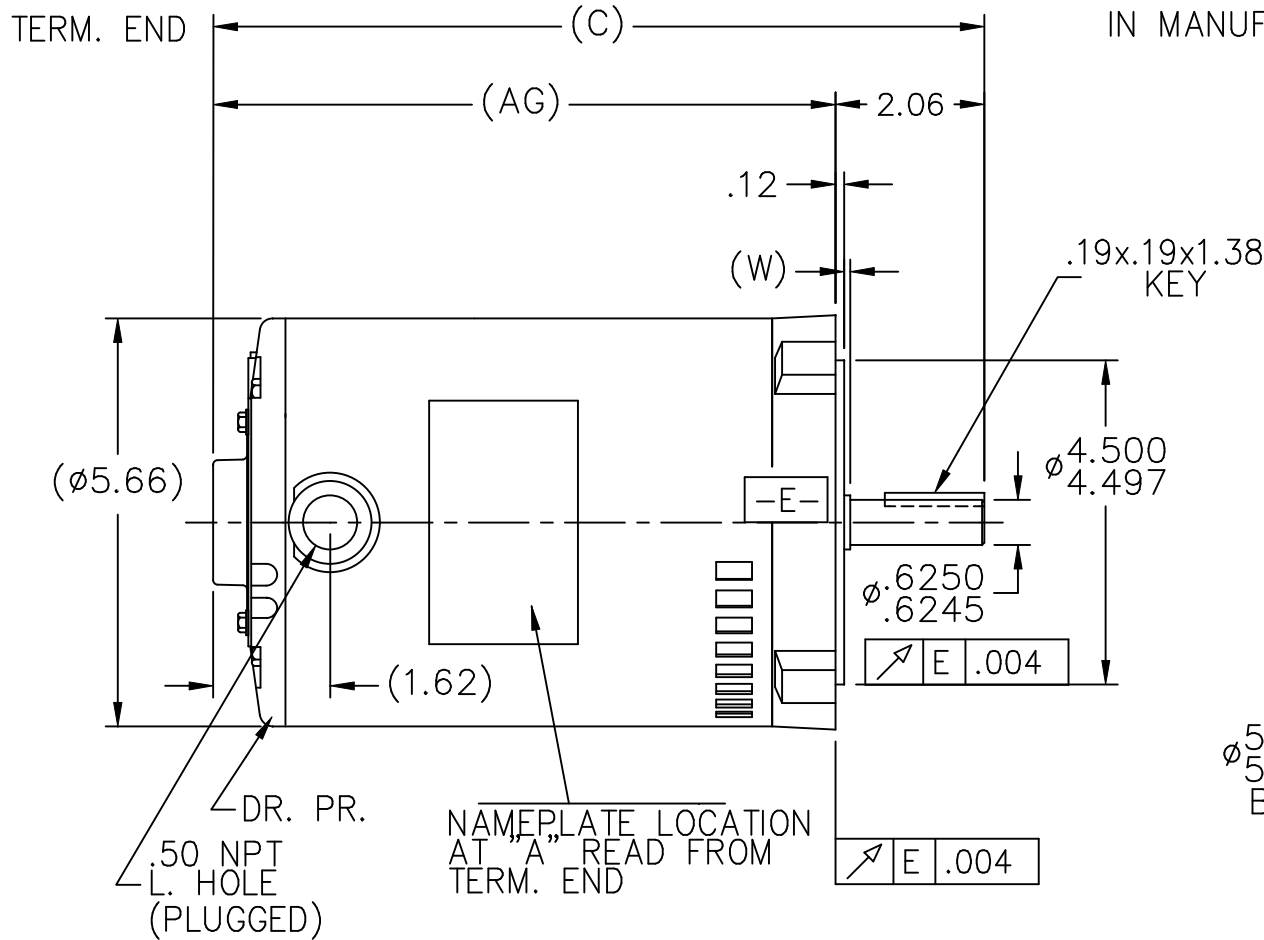
Output HP	0.25 Hp	Output KW	0.19 kW
Frequency	60 Hz	Voltage	115 V
Current	4.3 A	Speed	3450 rpm
Service Factor	1.75	Phase	1
Efficiency	59.5 %	Duty	Continuous
Insulation Class	B	Design Code	NO DESIGN CODE
KVA Code	T	Frame	56C
Enclosure	Drip Proof	Overload Protector	Manual
Ambient Temperature	40 °C	Drive End Bearing Size	6203
Opp Drive End Bearing Size	6203	UL	Recognized
CSA	Y	CE	Y
IP Code	22		

Technical Specifications

Electrical Type	Split Phase	Starting Method	Across The Line
Poles	2	Rotation	Fixed Clockwise
Mounting	Round	Motor Orientation	Horizontal
Drive End Bearing	Ball	Opp Drive End Bearing	Ball
Frame Material	Rolled Steel	Shaft Type	T
Overall Length	10.19 in	Frame Length	6.25 in
Shaft Diameter	0.625 in	Shaft Extension	2.06 in
Assembly/Box Mounting	F1 Only		
Outline Drawing	A-SS75601-625	Connection Diagram	A-EE7195D

This is an uncontrolled document once printed or downloaded and is subject to change without notice. Date Created: 06/29/2018

'W' = CLEARANCE ALLOWED FOR ALL VARIANCES
IN MANUFACTURING & ASSEMBLY



3/8-16 UNC-2B
.56 MIN. FULL THD.
4 HOLES

DASH	FR	C	AG
625	56C	10.19	8.12
650	56C	10.44	8.37

				TOLERANCES UNLESS SPECIFIED		MARATHON ELECTRIC	DRAWN RM 10-05-1992				
				DEC.	INCHES		CHK	ML	10-05-1992		
				.X	±.1	TITLE OUTLINE	APPD	JAY	10-07-1992		
3	UPDATED MOTOR PER CN 32487		ERH 11-17-2003	ML	.XX ±.03		SCALE	3=8			
2	REMOVED OIL PLUG CN 26772		BJW 03-06-2000		.XXX ±.005		REF				
1	NEW DRAWING 3958920		RM 190-09-1992		.XXXX ±.0005		MAT'L.				
NO.	REVISION		BY & DATE	CHK	ANG ±'30"		FINISH				
THIS DRAWING IN DESIGN AND DETAIL IS OUR PROPERTY AND MUST NOT BE USED EXCEPT IN CONNECTION WITH OUR WORK ALL RIGHTS OF DESIGN AND INVENTION ARE RESERVED THIS IS AN ELECTRONICALLY GENERATED DOCUMENT - DO NOT SCALE THIS PRINT				RFP	CAD FILE ss75601		SIZE	DRAWING NO.	PAGE	OF	REV.
				DIST	WP	A		SS75601			3

