

PRODUCT INFORMATION PACKET

marathon[®]
Motors

Model No: 056S17D2062
Catalog No: B401
1/2,1725,DP,56Y,1/60/115
Single Phase



Regal and Marathon are trademarks of Regal Beloit Corporation or one of its affiliated companies.
©2018 Regal Beloit Corporation, All Rights Reserved. MC017097E

REGAL[®]



Nameplate Specifications

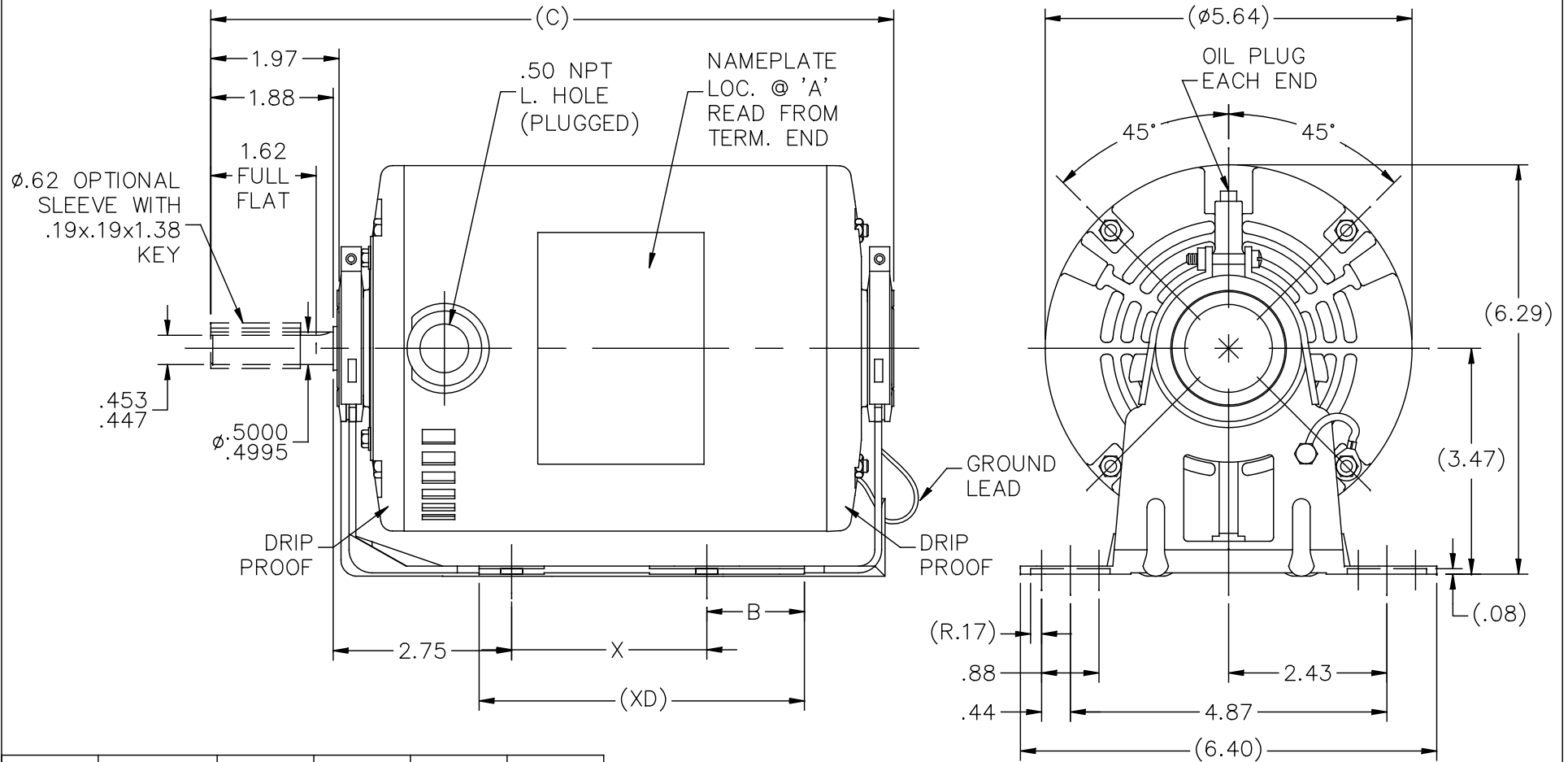
Output HP	0.50 Hp	Output KW	0.37 kW
Frequency	60 Hz	Voltage	115 V
Current	7.0 A	Speed	1725 rpm
Service Factor	1	Phase	1
Efficiency	68 %	Duty	Continuous
Insulation Class	B	Design Code	NO DESIGN CODE
KVA Code	M	Frame	56Y
Enclosure	Drip Proof	Overload Protector	Automatic
Ambient Temperature	40 °C	Drive End Bearing Size	6203
Opp Drive End Bearing Size	6203	UL	Recognized
CSA	Y	CE	Y
IP Code	22		

Technical Specifications

Electrical Type	Split Phase	Starting Method	Across The Line
Poles	4	Rotation	Selective Counterclockwise
Mounting	Resilient Base	Motor Orientation	Horizontal
Drive End Bearing	Ball	Opp Drive End Bearing	Ball
Frame Material	Rolled Steel	Shaft Type	Single Special Extension
Overall Length	10.5 in	Frame Length	6.50 in
Shaft Diameter	0.625 in	Shaft Extension	1.97 in
Assembly/Box Mounting	F1 Only		
Outline Drawing	A-SS403815-650	Connection Diagram	A-EE7195

This is an uncontrolled document once printed or downloaded and is subject to change without notice. Date Created: 06/29/2018

SS403815

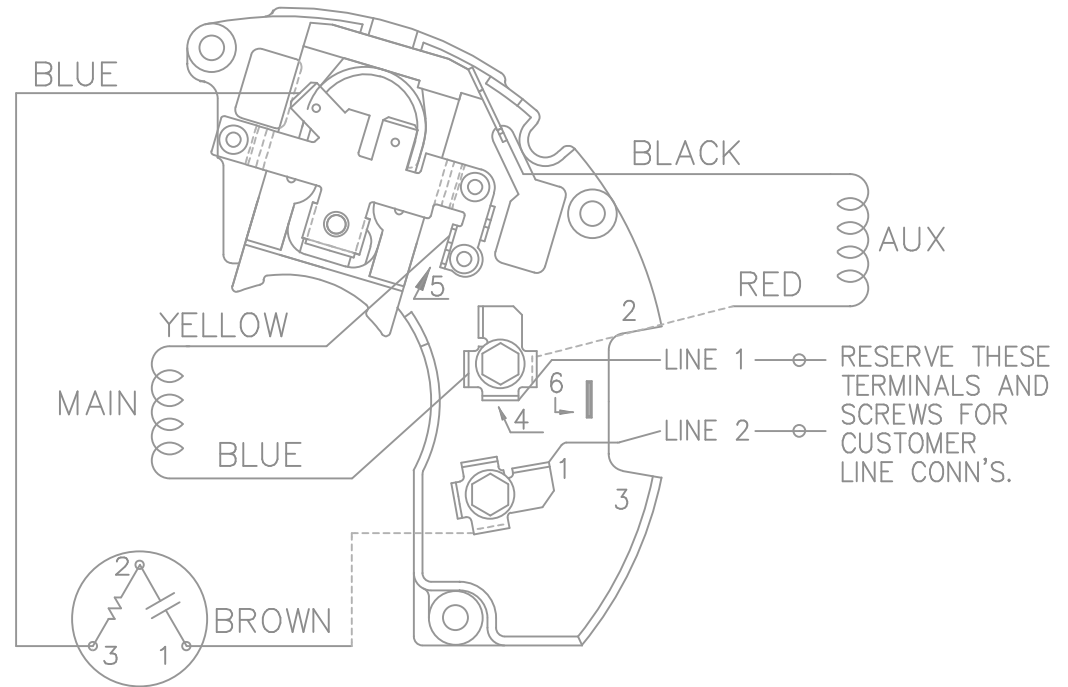
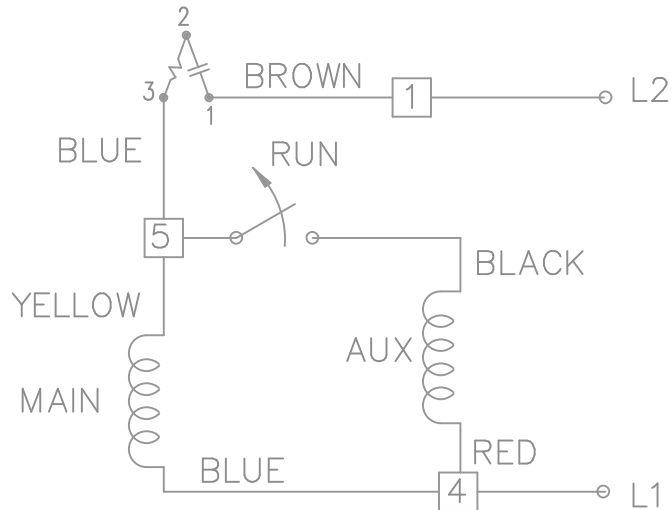


DASH	FRAME	C	XD	B	X
650	56	10.50	5.00	1.50	3.00

				TOLERANCES UNLESS SPECIFIED		MARATHON ELECTRIC	DRAWN SP 01-22-2009			
				DEC.	INCHES		CHK NB 01-22-2009	APPD SP 01-22-2009	SCALE 7=16	
				.X	±.1	TITLE OUTLINE 56 FR.	REF SS73719	FMF 07-2426	PREV	
				.XX	±.03					
				.XXX	±.005					
01	UPDATED BASE LOCATION AS PER ECO-0089842	SL	12/03/15	SAI	.XXXX ±.0005		MAT'L.			
NO.	REVISION	BY & DATE	CHK	ANG	±7'30"	FINISH				
			RFP	01-22-2009		CAD FILE SS403815	SIZE A	DRAWING NO. SS403815	PAGE OF	REV. C
			DIST	WP						

THIS DRAWING IN DESIGN AND DETAIL IS OUR PROPERTY AND MUST NOT BE USED EXCEPT IN CONNECTION WITH OUR WORK ALL RIGHTS OF DESIGN AND INVENTION ARE RESERVED THIS IS AN ELECTRONICALLY GENERATED DOCUMENT - DO NOT SCALE THIS PRINT

SINGLE VOLTAGE – SPLIT PHASE
 REVERSIBLE ON TERM BOARD
 WITH OVERLOAD PROTECTION



VIEWING TERMINAL END

C.C.W. ROTATION SHOWN.

FOR C.W. ROTATION INTERCHANGE
 YELLOW & BLUE LEADS ON TERM 5 & 4.

DASH LINES INDICATE LEADS CONNECTED
 TO MOTOR SIDE OF SWITCH.

			TOLERANCES UNLESS SPECIFIED			DRAWN ML 01-27-1998	
			DEC.	INCHES		CHK	GK 02-05-1988
5	REDRAWN ON AUTOCAD	RWR 06-15-2004	ML	.X ± -	TITLE CONNECTION DIAGRAM 48 FR. SINGLE VOLTAGE REVERSIBLE	APPD	DRN 03-11-1988
4	REVERSED L1 AND L2 CN19709	AJS 01-16-1995	GK	.XX ± -		SCALE	1=1
3	REVISED LINE 2 LOCATION CN6427	RM 01-28-1991	GK	.XXX ± -		REF	
2	ADDED CUSTOMER CONNECTION NOTE CN6011	BW 08-03-1989	GK	.XXXX ± -		MAT'L.	FMF
NO.	REVISION	BY & DATE	CHK	ANG ± -		FINISH	PREV
THIS DRAWING IN DESIGN AND DETAIL IS OUR PROPERTY AND MUST NOT BE USED EXCEPT IN CONNECTION WITH OUR WORK ALL RIGHTS OF DESIGN AND INVENTION ARE RESERVED THIS IS AN ELECTRONICALLY GENERATED DOCUMENT – DO NOT SCALE THIS PRINT			RFP	CAD FILE ee7195		SIZE	DRAWING NO. PAGE 1 OF 1
			DIST LB			A	EE7195 5

7/15/2008 2:51:35 PM

Uncontrolled Copy

FORM 3531 REV.3 02/07/99
** Subject to change without notice.