

PRODUCT INFORMATION PACKET

marathon[®]
Motors

Model No: 056S11DRS40003A1
Catalog No: H168A
1/3,1140,DP,56,1/60/115/230
Fan and Blower



Regal and Marathon are trademarks of Regal Beloit Corporation or one of its affiliated companies.
©2018 Regal Beloit Corporation, All Rights Reserved. MC017097E

REGAL[®]



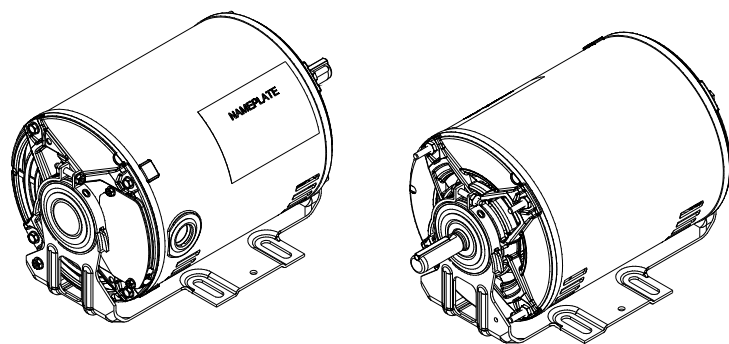
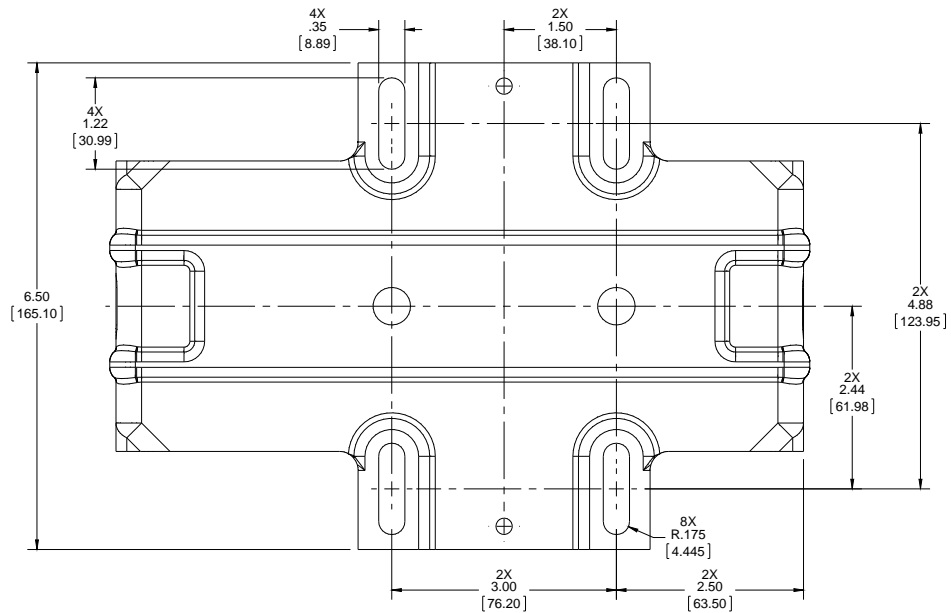
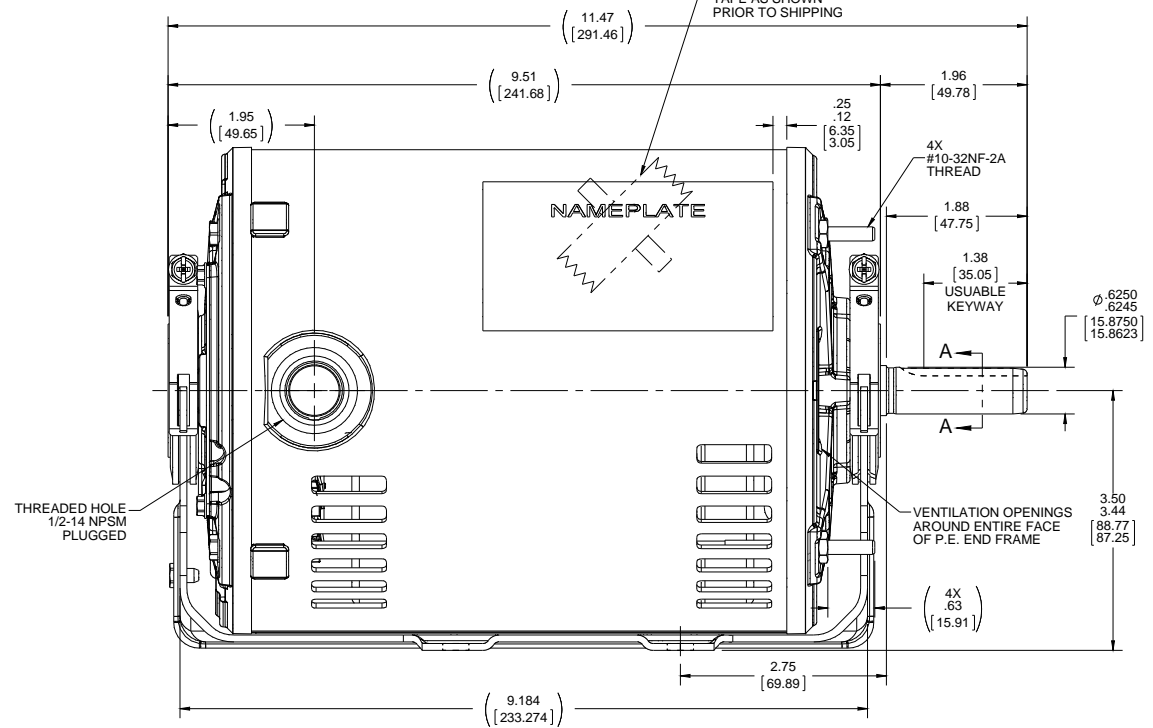
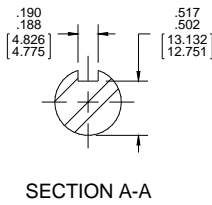
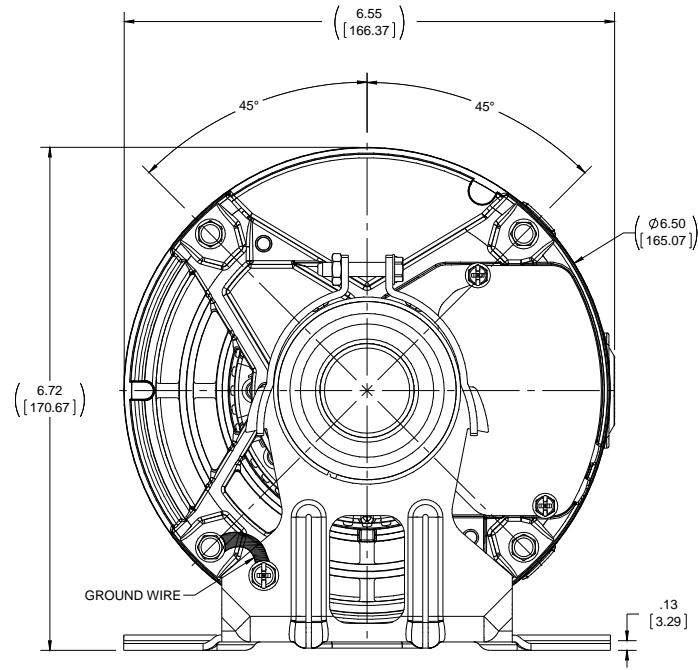
Nameplate Specifications

Output HP	0.33 Hp	Output KW	0.25 kW
Frequency	60 Hz	Voltage	115/230 V
Current	6.8/3.4 A	Speed	1140 rpm
Service Factor	1.35	Phase	1
Efficiency	57.5 %	Duty	Continuous
Insulation Class	B	Design Code	NO DESIGN CODE
KVA Code	N	Frame	56
Enclosure	Drip Proof	Overload Protector	No
Ambient Temperature	40 °C	Drive End Bearing Size	6203
Opp Drive End Bearing Size	6203	UL	Recognized
CSA	Y	CE	Y
IP Code	22		

Technical Specifications

Electrical Type	Split Phase	Starting Method	Across The Line
Poles	6	Rotation	Reversible
Mounting	Resilient Base	Motor Orientation	HORIZONTAL
Drive End Bearing	BALL	Opp Drive End Bearing	BALL
Frame Material	Rolled Steel	Shaft Type	NEMA 56
Overall Length	11.47 in	Frame Length	6.50 in
Shaft Diameter	0.625 in	Shaft Extension	1.96 in
Assembly/Box Mounting	F1 ONLY		
Outline Drawing	OL56100067-001	Connection Diagram	CSDS102

This is an uncontrolled document once printed or downloaded and is subject to change without notice. Date Created: 10/30/2018



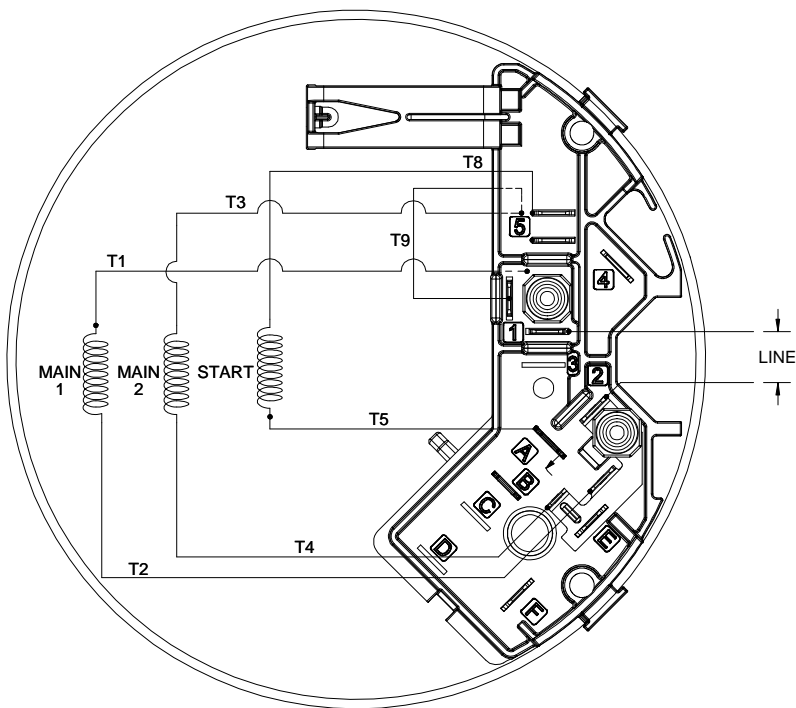
DRAWING REVISION A	REVISION BY D. VALENCIANO	DATE 04-27-2016	TOLERANCES UNLESS OTHERWISE SPECIFIED: DEC. INCH mm ANGLE	DRAWN BY D. VALENCIANO	
ECO ECO-0100835	APPROVED BY J. ORTEGA	DATE 04-27-2016	.X ±0.1 [±2.5] .XX ±0.03 [±0.76] .XXX ±0.005 [±0.127] .XXXX ±0.0005 [±0.0127]	DATE 04-27-2016	
NEW MODEL RELEASE			REMOVE BURRS & BREAK SHARP EDGES: .0031 015 [0761.381] X 45° CORNER FILLETS: R.02 [51]	APPROVED BY J. ORTEGA	DESCRIPTION OUTLINE 56FR, DP, 1-PHASE
<small>COPYRIGHT REGAL BELOIT AMERICA, INC. ALL RIGHTS RESERVED. PROPRIETARY AND CONFIDENTIAL INFORMATION. THIS DOCUMENT IS THE PROPERTY OF REGAL BELOIT AMERICA, INC. (OWNER) AND CONTAINS OWNER'S PROPRIETARY INFORMATION. ANY PERSON, CORPORATION OR OTHER FIRM RECEIVING IT IS DEMAND, BY RECEIVING IT, TO AGREE THAT IT, AND/OR ANY PART OF IT, SHALL NOT BE DISCLOSED TO ANY PERSON, CORPORATION OR OTHER ENTITY, DUPLICATED, AND/OR USED, EXCEPT AS EXPRESSLY APPROVED IN WRITING IN ADVANCE BY OWNER. THIS DOCUMENT SHALL BE RETURNED TO OWNER UPON REQUEST. IT MAY BE SUBJECT TO CERTAIN RESTRICTIONS UNDER APPLICABLE EXPORT CONTROL LAWS AND REGULATIONS.</small>			MACHINED SURFACES: $\sqrt{125}$ / $\sqrt{3.2}$ INCH / mm V	REFERENCE SFKH49PN6055	MATERIAL PROCESS/FINISH
			mm SHOWN IN [BRACKETS]	THIRD ANGLE PROJECTION	SIZE C
				DRAWING NUMBER OL56100067-001	SHEET 1 OF 1

B

B

A

A

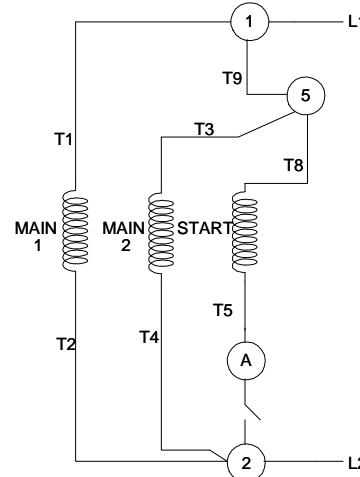


CCW ROTATION SPLIT PHASE DUAL VOLTAGE

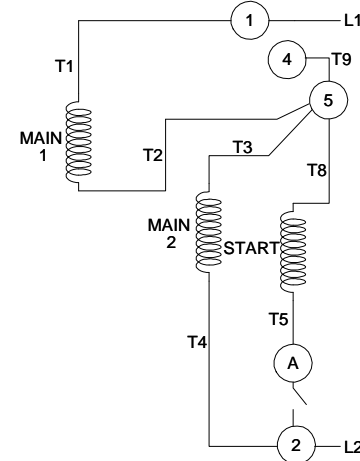
NOTES:

- FOR CW ROTATION INTERCHANGE T5 AND T8 LEADS.
- FOR HI VOLTAGE REMOVE T9 FROM TERMINAL #1 AND PLACE ON TERMINAL #4.
- REMOVE T2 FROM TERMINAL #2 AND PLACE ON TERMINAL #5.
- TERMINAL BOARD ASSY: 10003284-001-001
CONNECTION DIAGRAM-NAMEPLATE DD10036-001.

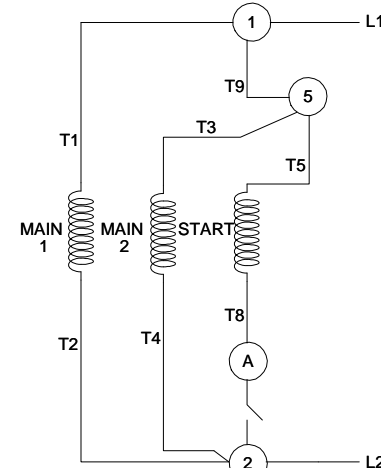
-001 LOW VOLTAGE CCW



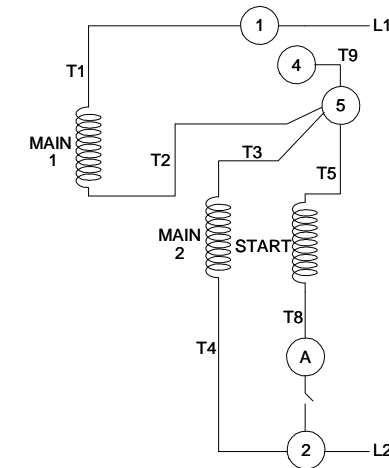
-002 HIGH VOLTAGE CCW



-003 LOW VOLTAGE CW



-004 HIGH VOLTAGE CW



DRAWING REVISION A	REVISION BY G. RODRIGUEZ	DATE 04-19-2016
ECO ECO-0150207	APPROVED BY E. MARTINEZ	DATE 04-19-2016
ECO DESCRIPTION NEW RELEASE		
<small>COPYRIGHT REGAL BELOIT AMERICA, INC. ALL RIGHTS RESERVED. PROPRIETARY AND CONFIDENTIAL INFORMATION - THIS DOCUMENT IS THE PROPERTY OF REGAL BELOIT AMERICA, INC. ("OWNER") AND CONTAINS OWNER'S PROPRIETARY INFORMATION. ANY PERSON, CORPORATION OR OTHER FIRM RECEIVING IT IS DEEMED, BY RECEIVING IT, TO AGREE THAT IT, AND/OR ANY PART OF IT, SHALL NOT BE DISCLOSED TO ANY PERSON, CORPORATION OR OTHER ENTITY, DUPLICATED, AND/OR USED, EXCEPT AS EXPRESSLY APPROVED IN WRITING IN ADVANCE BY OWNER. THIS DOCUMENT SHALL BE RETURNED TO OWNER UPON REQUEST. IT MAY BE SUBJECT TO CERTAIN RESTRICTIONS UNDER APPLICABLE EXPORT CONTROL LAWS AND REGULATIONS.</small>		

TOLERANCES UNLESS OTHERWISE SPECIFIED:			
DEC.	INCH	mm	ANGLE
.X	±0.1	[±2.5]	±0.5°
.XX	±0.01	[±0.25]	
.XXX	±0.005	[±0.127]	
.XXXX	±0.0005	[±0.0127]	
REMOVE BURRS & BREAK SHARP EDGES: .003/.015 [0.076/.381]			
CORNER FILLETS: .02 [51]			
MACHINED SURFACES: 125/3.2			
mm SHOWN IN [BRACKETS]			

DRAWN BY G. RODRIGUEZ	DATE 04-19-2016
APPROVED BY E. MARTINEZ	DATE 04-19-2016
REFERENCE CDCD102	THIRD ANGLE PROJECTION

Regal Beloit America, Inc.	
DESCRIPTION CONN DIAGRAM-EXTERNAL	
MATERIAL	PROCESS/FINISH
SIZE B	DRAWING NUMBER CDS102
SHEET 1 OF 1	