

PRODUCT INFORMATION PACKET

marathon[®]
Motors

Model No: 056S11DRS40001A1
Catalog No: H298A
1/2,1140,DP,56,1/60/115/230
Fan and Blower



Regal and Marathon are trademarks of Regal Beloit Corporation or one of its affiliated companies.
©2018 Regal Beloit Corporation, All Rights Reserved. MC017097E

REGAL[®]



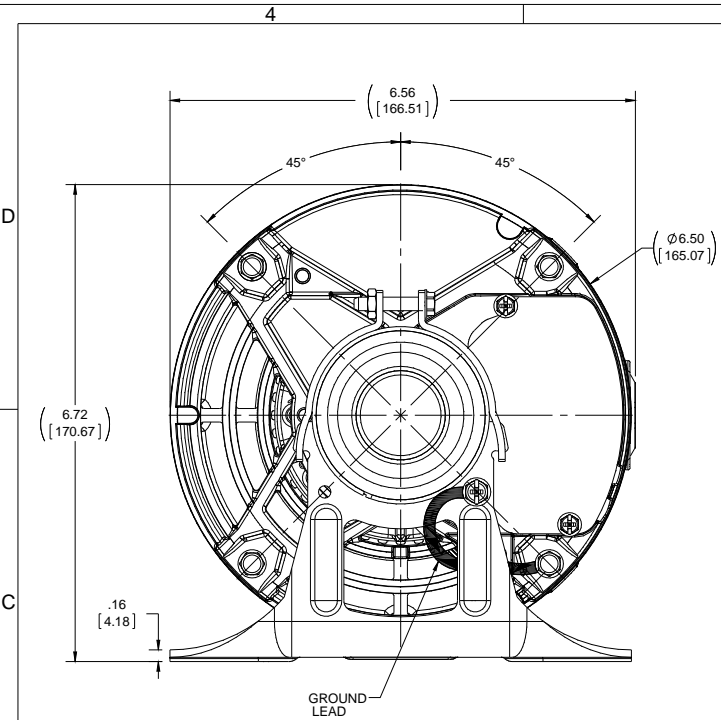
Nameplate Specifications

Output HP	0.50 Hp	Output KW	0.37 kW
Frequency	60 Hz	Voltage	115/230 V
Current	9.2/4.6 A	Speed	1140 rpm
Service Factor	1.25	Phase	1
Efficiency	62 %	Duty	Continuous
Insulation Class	B	Design Code	NO DESIGN CODE
KVA Code	M	Frame	56
Enclosure	Drip Proof	Overload Protector	Automatic
Ambient Temperature	40 °C	Drive End Bearing Size	6203
Opp Drive End Bearing Size	6203	UL	Recognized
CSA	Y	CE	Y
IP Code	22		

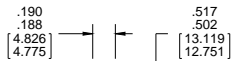
Technical Specifications

Electrical Type	Split Phase	Starting Method	Across The Line
Poles	6	Rotation	Selective Counterclockwise
Mounting	Resilient Base	Motor Orientation	HORIZONTAL
Drive End Bearing	BALL	Opp Drive End Bearing	BALL
Frame Material	Rolled Steel	Shaft Type	NEMA 56
Overall Length	12.54 in	Frame Length	8.15 in
Shaft Diameter	0.625 in	Shaft Extension	2.03 in
Assembly/Box Mounting	F1 ONLY		
Outline Drawing	OL56100060-001	Connection Diagram	CSDS101

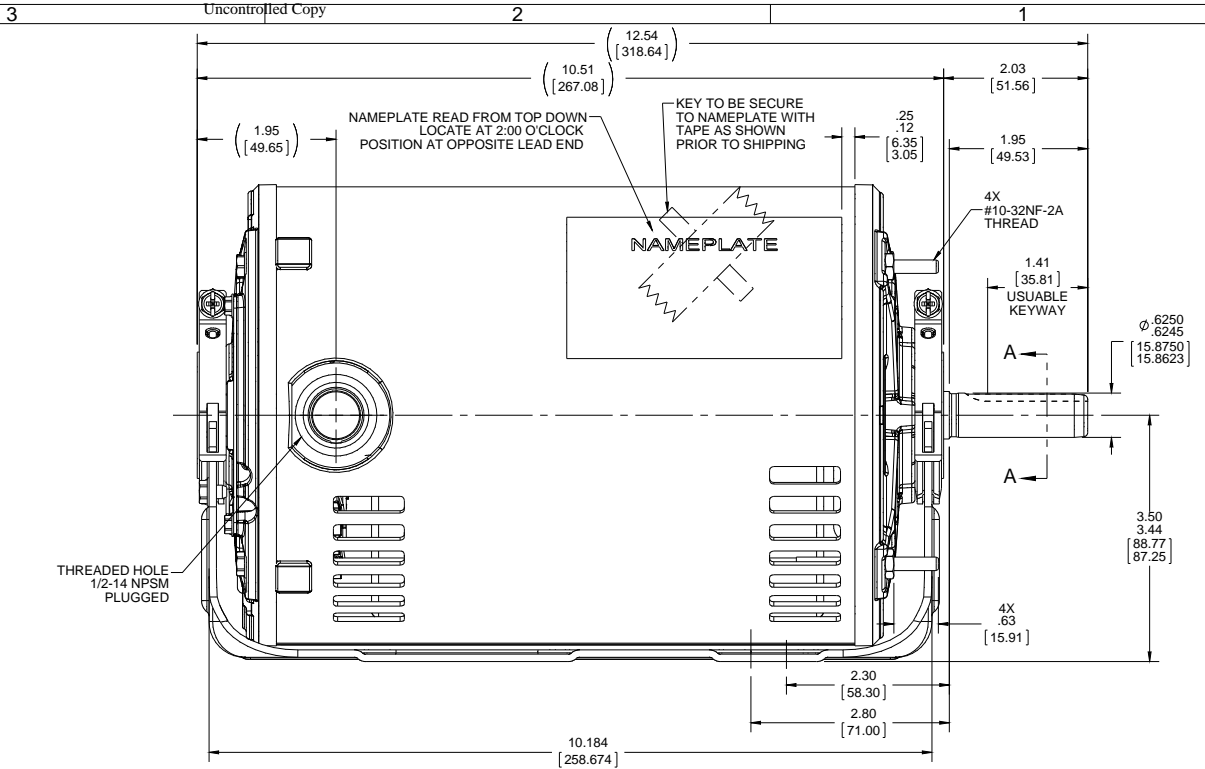
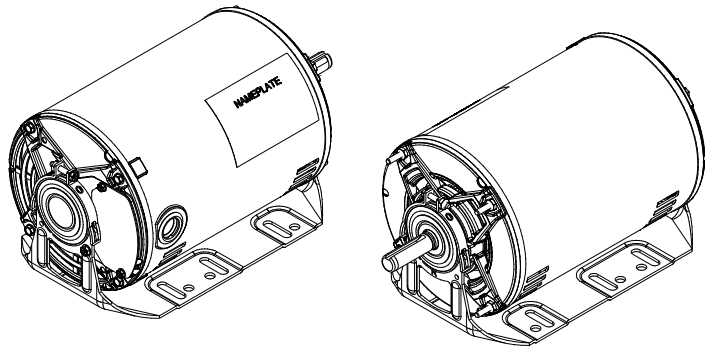
This is an uncontrolled document once printed or downloaded and is subject to change without notice. Date Created: 10/30/2018



GROUND LEAD



SECTION A-A

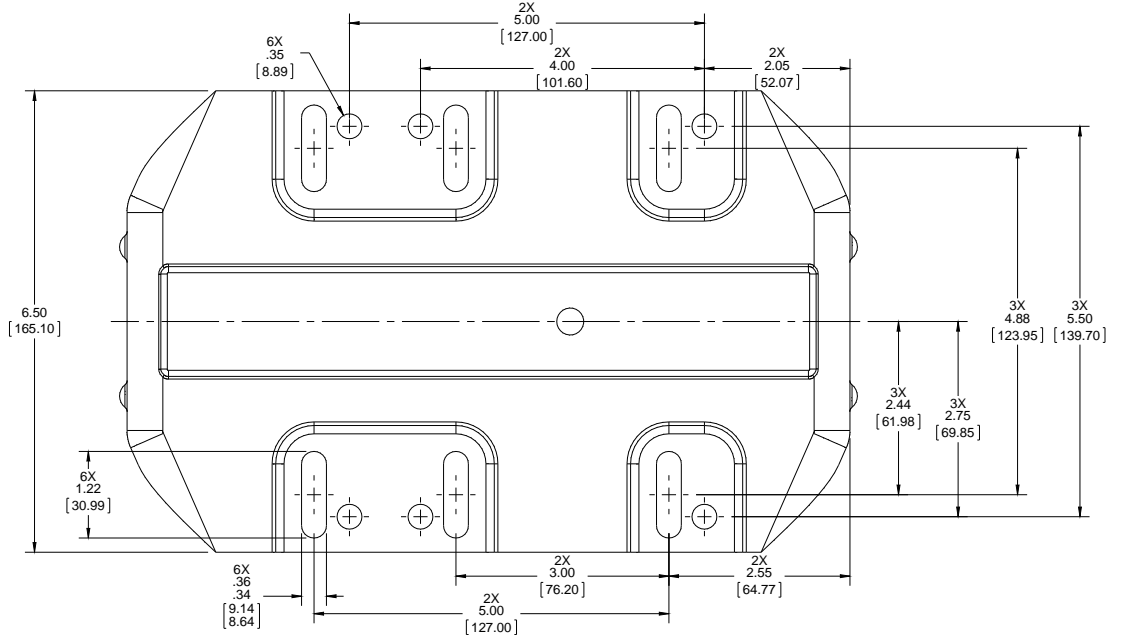


THREADED HOLE 1/2-14 NPSM PLUGGED

NAMEPLATE READ FROM TOP DOWN LOCATE AT 2:00 O'CLOCK POSITION AT OPPOSITE LEAD END

KEY TO BE SECURE TO NAMEPLATE WITH TAPE AS SHOWN PRIOR TO SHIPPING

NAMEPLATE



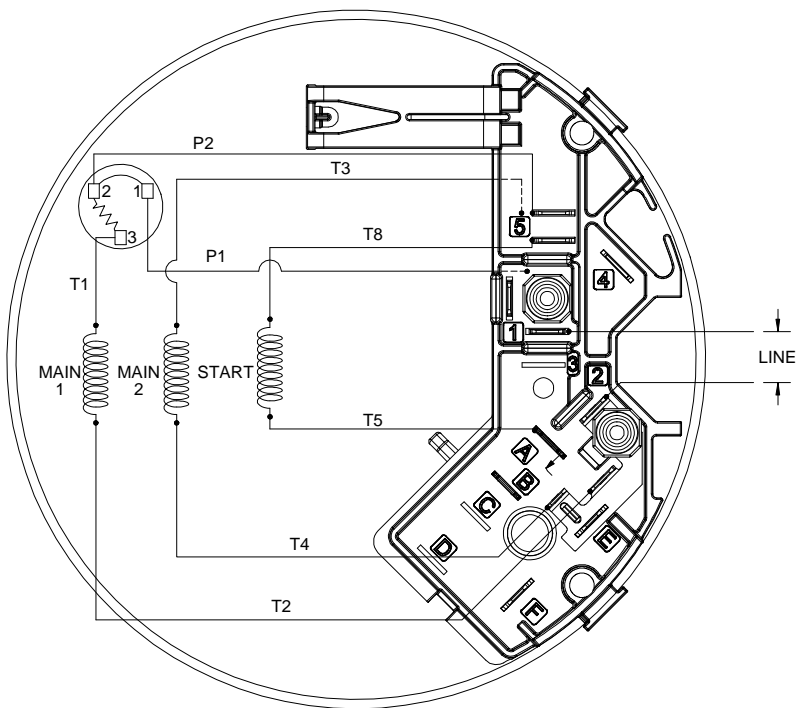
DRAWING REVISION B	REVISION BY C. CONTRERAS	DATE 07-04-2016	TOLERANCES UNLESS OTHERWISE SPECIFIED: DEC. INCH mm ANGLE .X ±0.1 [±2.5] ±0.5° .XX ±0.03 [±0.76] .XXX ±0.005 [±0.127] .XXXX ±0.0005 [±0.0127] REMOVE BURRS & BREAK SHARP EDGES: .0031 [0.0763] X 45° CORNER FILLETS: R.02 [51] MACHINED SURFACES: .125 / 3.2 INCH V mm mm SHOWN IN [BRACKETS]	DRAWN BY D. VALENCIANO	Regal Beloit America, Inc. DESCRIPTION OUTLINE 56FR, DP, 1-PHASE	
ECO ECO-0105306	APPROVED BY C. CONTRERAS	DATE 07-04-2016	APPROVED BY J. ORTEGA	DATE 04-15-2016		
UPDATED DRAWING <small>COPYRIGHT REGAL BELOIT AMERICA, INC. ALL RIGHTS RESERVED. PROPRIETARY AND CONFIDENTIAL INFORMATION. THIS DOCUMENT IS THE PROPERTY OF REGAL BELOIT AMERICA, INC. FORMERLY AND CONTAINS OWNER'S PROPRIETARY INFORMATION. ANY PERSON, CORPORATION OR OTHER FIRM RECEIVING IT IS DEEMED, BY RECEIVING IT, TO AGREE THAT IT, AND/OR ANY PART OF IT, SHALL NOT BE DISCLOSED TO ANY PERSON, CORPORATION OR OTHER ENTITY, DUPLICATED, AND/OR USED, EXCEPT AS EXPRESSLY APPROVED IN WRITING IN ADVANCE BY OWNER. THIS DOCUMENT SHALL BE RETURNED TO OWNER UPON REQUEST. IT MAY BE SUBJECT TO CERTAIN RESTRICTIONS UNDER APPLICABLE EXPORT CONTROL LAWS AND REGULATIONS.</small>			REFERENCE	MATERIAL	PROCESS/FINISH	
			THIRD ANGLE PROJECTION	SIZE C	DRAWING NUMBER OL56100060-001	SHEET 1 OF 1

B

B

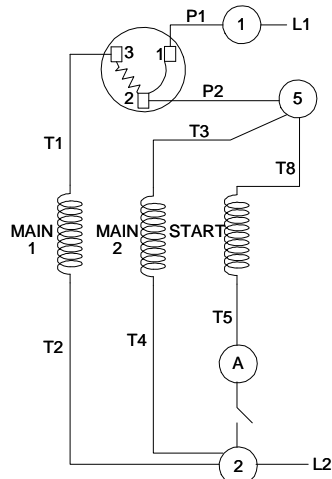
A

A

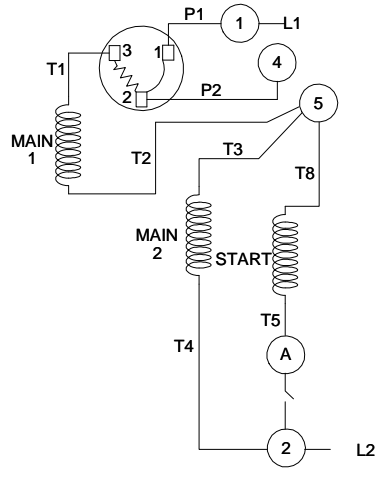


CCW ROTATION SPLIT PHASE DUAL VOLTAGE WITH THERMAL PROTECTOR.

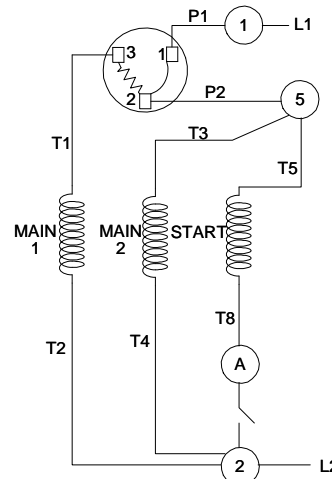
LOW VOLTAGE CCW -001



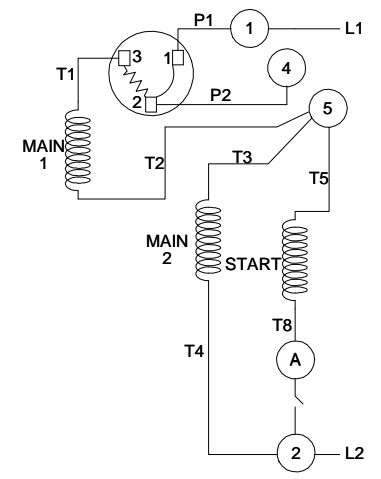
HIGH VOLTAGE CCW -002



LOW VOLTAGE CW -003



HIGH VOLTAGE CW -004



NOTES:

- 1. TERMINAL BOARD ASSY: 10003284-001-001
- 2. CONNECTION DIAGRAM NAMEPLATE DD10030-001.

DRAWING REVISION A	REVISION BY G. RODRIGUEZ	DATE 04-14-2016
ECO ECO-0150207	APPROVED BY E. MARTINEZ	DATE 04-14-2016
ECO DESCRIPTION NEW RELEASE		
<small>COPYRIGHT REGAL BELOIT AMERICA, INC. ALL RIGHTS RESERVED. PROPRIETARY AND CONFIDENTIAL INFORMATION - THIS DOCUMENT IS THE PROPERTY OF REGAL BELOIT AMERICA, INC. (OWNER) AND CONTAINS OWNER'S PROPRIETARY INFORMATION. ANY PERSON, CORPORATION OR OTHER FIRM RECEIVING IT IS DEEMED, BY RECEIVING IT, TO AGREE THAT IT, AND/OR ANY PART OF IT, SHALL NOT BE DISCLOSED TO ANY PERSON, CORPORATION OR OTHER ENTITY, DUPLICATED, AND/OR USED, EXCEPT AS EXPRESSLY APPROVED IN WRITING IN ADVANCE BY OWNER. THIS DOCUMENT SHALL BE RETURNED TO OWNER UPON REQUEST. IT MAY BE SUBJECT TO CERTAIN RESTRICTIONS UNDER APPLICABLE EXPORT CONTROL LAWS AND REGULATIONS.</small>		

TOLERANCES UNLESS OTHERWISE SPECIFIED:			
DEC.	INCH	mm	ANGLE
.X	±0.1	[+2.5]	±0.5°
.XX	±0.01	[+0.25]	
.XXX	±0.005	[+0.127]	
.XXXX	±0.0005	[±0.0127]	
REMOVE BURRS & BREAK SHARP			
EDGES: .003/.015 [0.076/.381]			
CORNER FILLETS: .02 [51]			
MACHINED SURFACES: 125/3.2			
mm SHOWN IN [BRACKETS]			

DRAWN BY M.RAMIREZ	DATE 04-14-2016
APPROVED BY E. MARTINEZ	DATE 04-14-2016
REFERENCE SKT52A105383CA	THIRD ANGLE PROJECTION

Regal Beloit America, Inc.	
DESCRIPTION CONN DIAGRAM-EXTERNAL	
MATERIAL	PROCESS/FINISH
SIZE B	DRAWING NUMBER CDSD101
SHEET 1 OF 1	



**P.O. BOX 8003
WAUSAU, WI 54401-8003
PH. 715-675-3311**

CERTIFICATION DATA SHEET

CUSTOMER:
ORDER #: CDSDD101
CONN. DIAGRAM: CDSDD101
MODEL #: 56S11DRS40001A1 A
CUSTOMER PART #:
MOUNTING: F1 ONLY

TYPICAL MOTOR PERFORMANCE DATA

HP	KW	SYNC. RPM	F.L. RPM	FRAME	ENCLOSURE	KVA CODE	DESIGN	
1/2	0.37	1200	1140	56	DP	M	NO DESIGN CODE	
PH	Hz	VOLTS	AMPS	START TYPE	DUTY	INSL	S.F.	AMB°C
1	60	115/230	9.2/4.6	ACROSS THE LINE	CONTINUOUS	B3	1.25	40

FULL LOAD EFF:	62	3/4 LOAD EFF:	59.6	1/2 LOAD EFF:	54	GTD. EFF	57.5	ELEC. TYPE	SPLIT PHASE
FULL LOAD PF:	56	3/4 LOAD PF:	48.2	1/2 LOAD PF:	39.1				

F.L. TORQUE	LOCKED ROTOR AMPS	L.R. TORQUE	B.D. TORQUE	F.L. RISE°C
2.25 LB-FT	44 / 22	2.26 LB-FT	100 %	4.88 LB-FT
				216 %
				0

SOUND PRESSURE @ 3 FT.	SOUND POWER	ROTOR WK^2	MAX. WK^2	SAFE STALL TIME	STARTS / HOUR	APPROX. MOTOR WGT
0 DBA	10 DBA	0 LB-FT^2	0 LB-FT^2	0 SEC.	0	0 LBS.

***** SUPPLEMENTAL INFORMATION *****

DE BRACKET TYPE	ODE BRACKET TYPE	MOUNT TYPE	ORIENTATION	SEVERE DUTY	HAZARDOUS LOCATION	DRIP COVER	SCREENS	PAINT
STANDARD	STANDARD	RESILIENT BASE	HORIZONTAL	FALSE	NONE	FALSE	NONE	GRAY (POWDER)
BEARINGS	GREASE	SHAFT TYPE	SPECIAL DE	SPECIAL ODE	SHAFT MATERIAL	FRAME MATERIAL		
BALL BALL	POLYREX EM	STANDARD 56	NONE	NONE	AISI 1215 (MS1000)	ROLLED STEEL		

THERMO-PROTECTORS				THERMISTORS	CONTROL	SPACE HEATERS
THERMOSTATS	PROTECTORS	WDG RTDS	BRG RTDS	NONE	FALSE	NONE
NONE	AUTOMATIC	NONE	NONE			

* INVERTER TORQUE:	NONE
INV. HP SPEED RANGE:	NONE
ENCODER:	NONE
NONE	NONE
NONE	PPR
BRAKE:	NONE
NONE	P/N NONE
NONE	NONE
NONE	FT-LB
NONE	NONE V
NONE	NONE
NONE	Hz

PREPARED BY: Bhargavi Dontham
DATE: 08/29/2018 04:13:14 AM
FORM 3531 REV.3 02/07/99
** Subject to change without notice.

MARATHON ELECTRIC CORPORATION

TYPICAL PERFORMANCE CURVE for AC MOTOR

Customer WW Grainger

Curve at

230

Volts

HP 0.5

PHASE 1

Model No 56S11DRS40001A1

60

HZ

VOLTS 115/230

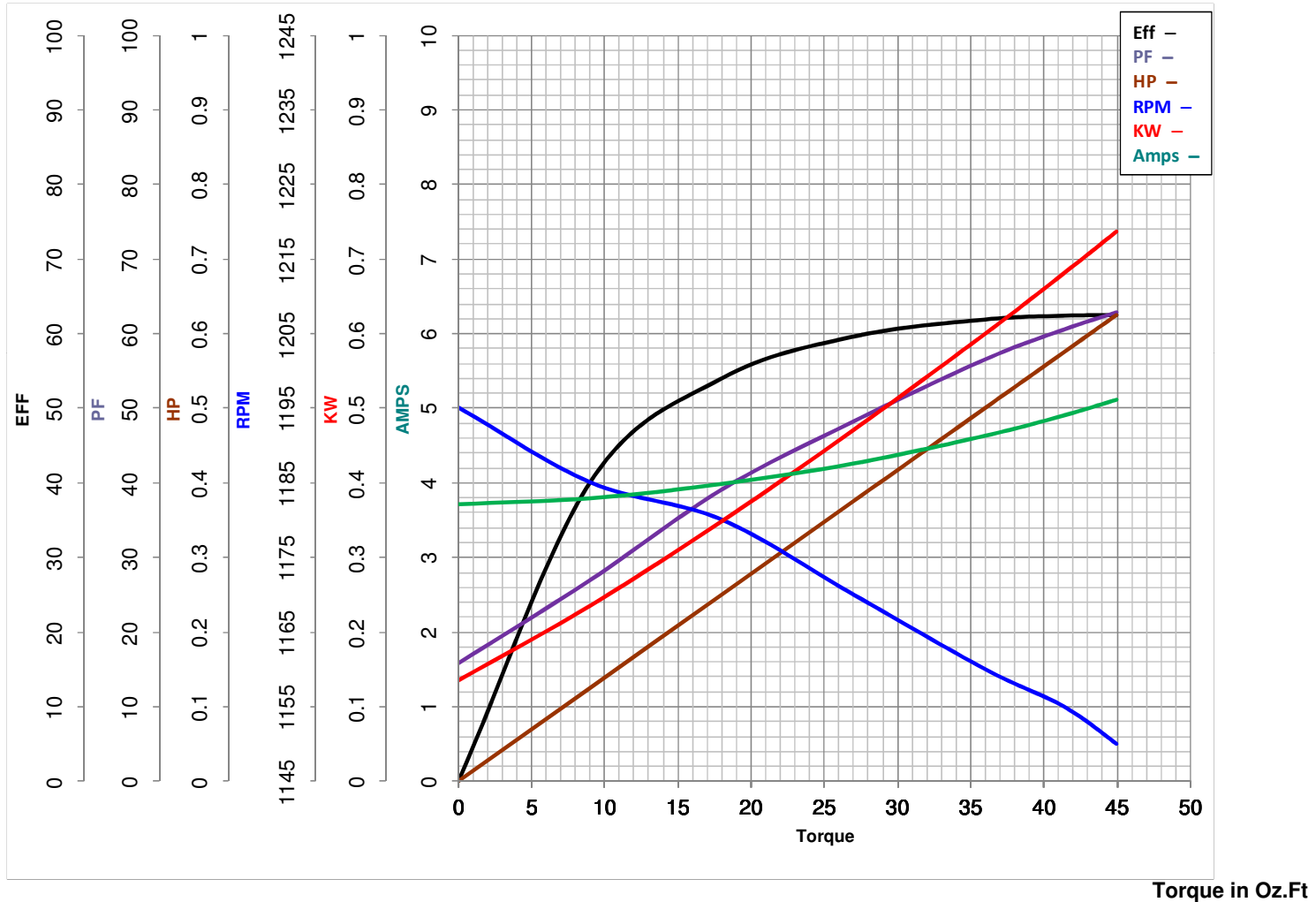
0.5

HP

Catalog No H298A

HZ 60

RPM 1140



Torque in Oz.Ft

FL TORQUE 36 Oz.Ft
 BD TORQUE 78.1 Oz.Ft
 LR TORQUE 36.16 Oz.Ft

FL AMPS 9.2/4.6
 PU TORQUE 30.9 Oz.Ft
 LR AMPS 22

WINDING NS5665-3 Prepared By BHARGAVI

Date 8/27/2018