

PRODUCT INFORMATION PACKET

marathon[®]
Motors

Model No: 056PNRA10101
Catalog No: SY003
1.0,1800,TENV,S56C,3/230/460,PMAC
SyMAX - Permanent Magnet AC Motors



Regal and Marathon are trademarks of Regal Beloit Corporation or one of its affiliated companies.
©2018 Regal Beloit Corporation, All Rights Reserved. MC017097E

REGAL[®]

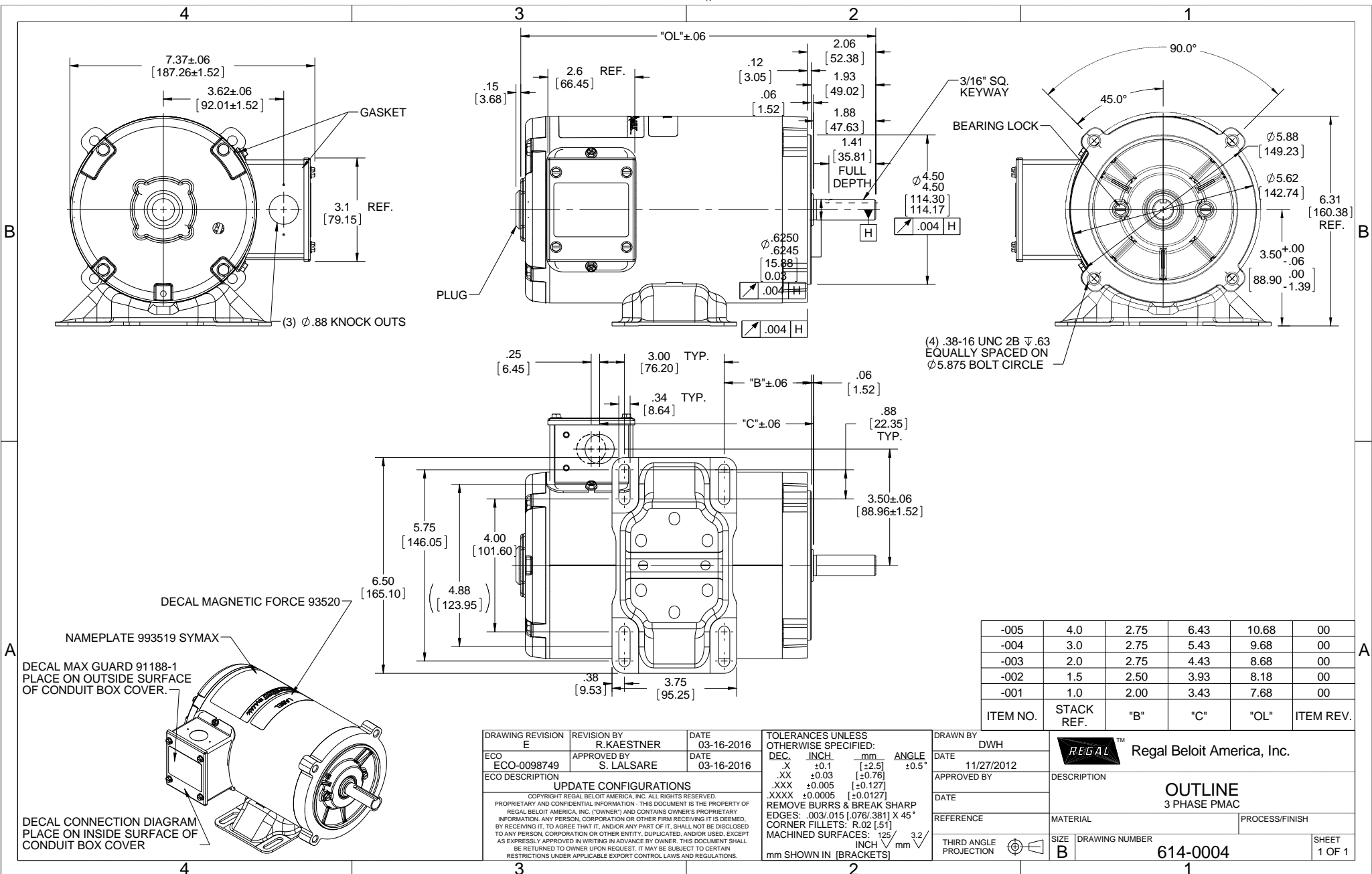
Nameplate Specifications

| | | | |
|----------------------------|---------------------------------|------------------------|------------|
| Output HP | 1 Hp | Output KW | 0.75 kW |
| Frequency | 90 Hz | Voltage | 230/460 V |
| Current | 3.6/1.8 A | Speed | 1800 rpm |
| Service Factor | 1 | Phase | 3 |
| Efficiency | 87.5 % | Duty | Continuous |
| Insulation Class | F | Design Code | PM |
| KVA Code | NO KVA CODE | Frame | S56Z |
| Enclosure | Totally Enclosed Non Ventilated | Overload Protector | No |
| Ambient Temperature | 40 °C | Drive End Bearing Size | 6203 |
| Opp Drive End Bearing Size | 6203 | UL | Recognized |
| CSA | Y | CE | Y |
| IP Code | 43 | | |

Technical Specifications

| | | | |
|-------------------|---------------------|-----------------------|--------------------------|
| Electrical Type | AC Permanent Magnet | Starting Method | Inverter Only |
| Poles | 6 | Rotation | Reversible |
| Mounting | Rigid base | Motor Orientation | Horizontal |
| Drive End Bearing | Ball | Opp Drive End Bearing | Ball |
| Frame Material | Rolled Steel | Shaft Type | Single Special Extension |
| Overall Length | 8.68 in | Shaft Diameter | 0.625 in |
| Shaft Extension | 2.06 in | Assembly/Box Mounting | F1 Only |
| Outline Drawing | 614-0004-003 | Connection Diagram | EE7308 |

This is an uncontrolled document once printed or downloaded and is subject to change without notice. Date Created: 06/29/2018



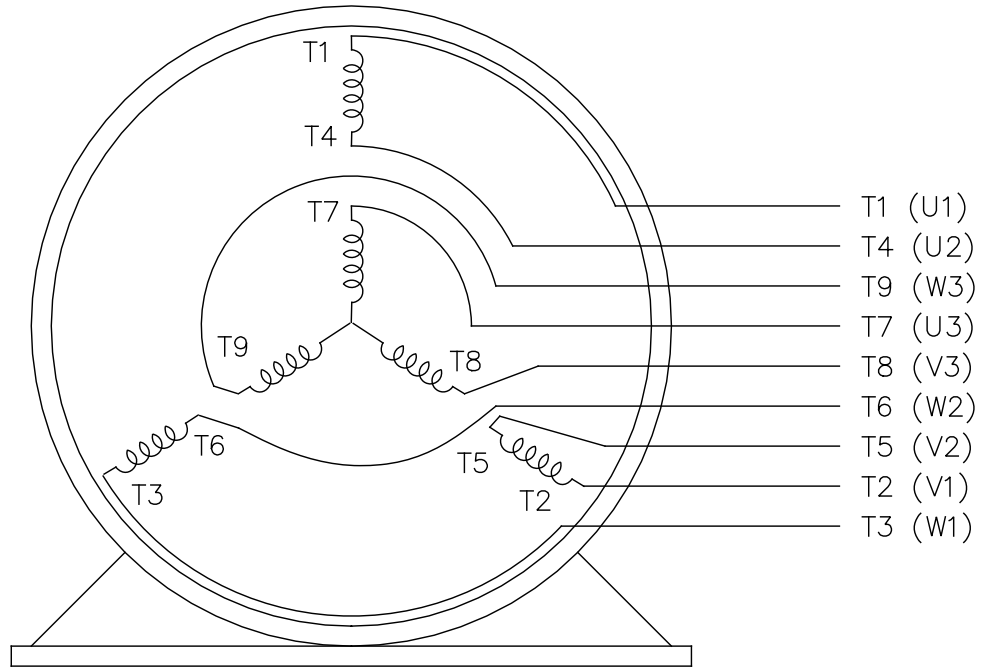
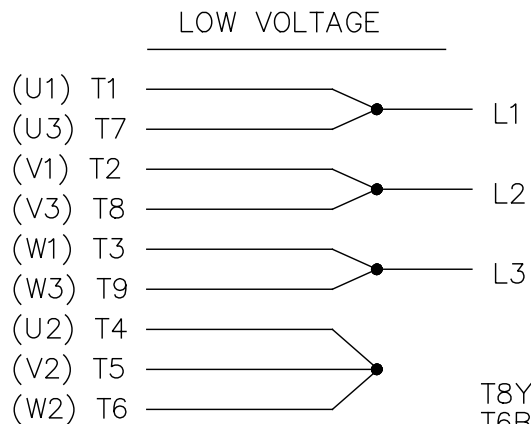
| | | | | | |
|----------|------------|------|------|-------|-----------|
| -005 | 4.0 | 2.75 | 6.43 | 10.68 | 00 |
| -004 | 3.0 | 2.75 | 5.43 | 9.68 | 00 |
| -003 | 2.0 | 2.75 | 4.43 | 8.68 | 00 |
| -002 | 1.5 | 2.50 | 3.93 | 8.18 | 00 |
| -001 | 1.0 | 2.00 | 3.43 | 7.68 | 00 |
| ITEM NO. | STACK REF. | "B" | "C" | "OL" | ITEM REV. |

| | | | |
|---|----------------------------|--------------------|--|
| DRAWING REVISION E | REVISION BY R. KAESTNER | DATE 03-16-2016 | TOLERANCES UNLESS OTHERWISE SPECIFIED: DEC. INCH mm ANGLE .X ±0.1 [+2.5] ±0.5° .XX ±0.03 [+0.76] .XXX ±0.005 [+0.127] .XXXX ±0.0005 [+0.0127] |
| ECO-0098749 | APPROVED BY S. LALSARE | DATE 03-16-2016 | REMOVE BURRS & BREAK SHARP EDGES: .003/.015 [.076/.381] X 45° CORNER FILLETS: R.02 [.51] MACHINED SURFACES: 125 INCH mm 3.2 |
| ECO DESCRIPTION UPDATE CONFIGURATIONS | | | |
| <small>COPYRIGHT REGAL BELOIT AMERICA, INC. ALL RIGHTS RESERVED. PROPRIETARY AND CONFIDENTIAL INFORMATION - THIS DOCUMENT IS THE PROPERTY OF REGAL BELOIT AMERICA, INC. (OWNER) AND CONTAINS OWNER'S PROPRIETARY INFORMATION. ANY PERSON, CORPORATION OR OTHER FIRM RECEIVING IT IS DEEMED, BY RECEIVING IT, TO AGREE THAT IT, AND/OR ANY PART OF IT, SHALL NOT BE DISCLOSED TO ANY PERSON, CORPORATION OR OTHER ENTITY, DUPLICATED, AND/OR USED, EXCEPT AS EXPRESSLY APPROVED IN WRITING IN ADVANCE BY OWNER. THIS DOCUMENT SHALL BE RETURNED TO OWNER UPON REQUEST. IT MAY BE SUBJECT TO CERTAIN RESTRICTIONS UNDER APPLICABLE EXPORT CONTROL LAWS AND REGULATIONS.</small> | | | |

| | | |
|--------------------|---|----------------------------|
| DRAWN BY DWH | REGAL™ Regal Beloit America, Inc. | |
| DATE 11/27/2012 | DESCRIPTION OUTLINE 3 PHASE PMAC | |
| APPROVED BY | MATERIAL | PROCESS/FINISH |
| DATE | SIZE B | DRAWING NUMBER 614-0004 |
| REFERENCE | THIRD ANGLE PROJECTION | SHEET 1 OF 1 |

EE7308

THREE PHASE
DUAL VOLTAGE MOTOR



VIEW OF TERMINAL END

REF.
WINDING DIAGRAM

T8Y, T2Y, T2BL, T4BX, T2EC, T2G
T6BZ, T2B, T6BL, T4AV, T6B, T4B

OPTIONAL CORD
CONNECTION

L1 — WHITE
L2 — RED
L3 — BLACK

| NO. | REVISION | BY & DATE | CHK | ANG | TOLERANCES UNLESS SPECIFIED | | DRAWN RM 11/20/1990 |
|-----|--|----------------|-----|-------|--------------------------------|---|---------------------|
| | | | | | DEC. | INCHES | |
| 5 | CHG TO REGAL LOGO | SL 09/10/2015 | AB | | | | CHK ML 11/21/1990 |
| 4 | REVISED IEC NOTATIONS | MSG 11/15/2011 | CMN | .X | ±.1 | | APPD SAS 04/24/2003 |
| 3 | ADDED IEC NOTATIONS... (U1), (V1) ETC. MU95194 | MSG 5/10/2010 | MJS | .XX | ±.02 | | SCALE 1=1 |
| 2 | ADDED THE OPTIONAL CORD CONNECTION MU46318 | RDH 04/24/2003 | DRS | .XXX | ±.005 | TITLE CONNECTION DIAGRAM 3Ø - DUAL VOLTAGE MOTOR | REF |
| 1 | REDRAWN | RM 11/20/1990 | | .XXXX | ±.0005 | MAT'L. | FMF |
| | | | | | ±7'30" | FINISH | PREV |



Regal Beloit America, Inc.

THIS DRAWING IN DESIGN AND DETAIL IS OUR PROPERTY AND MUST NOT BE USED EXCEPT
IN CONNECTION WITH OUR WORK ALL RIGHTS OF DESIGN AND INVENTION ARE RESERVED
THIS IS AN ELECTRONICALLY GENERATED DOCUMENT - DO NOT SCALE THIS PRINT

| | | | | | |
|---------|-----------------|--------|--------------------|---------|--------|
| RFP | CAD FILE ee7308 | SIZE A | DRAWING NO. EE7308 | PAGE OF | REV. 5 |
| DIST WP | | | | | |