

PRODUCT INFORMATION PACKET

marathon[®]
Motors

Model No: 056PNRA10100
Catalog No: SY001
0.5,1800,TENV,S56C,3/230/460,PMAC
SyMAX - Permanent Magnet AC Motors



Regal and Marathon are trademarks of Regal Beloit Corporation or one of its affiliated companies.
©2018 Regal Beloit Corporation, All Rights Reserved. MC017097E

REGAL[®]

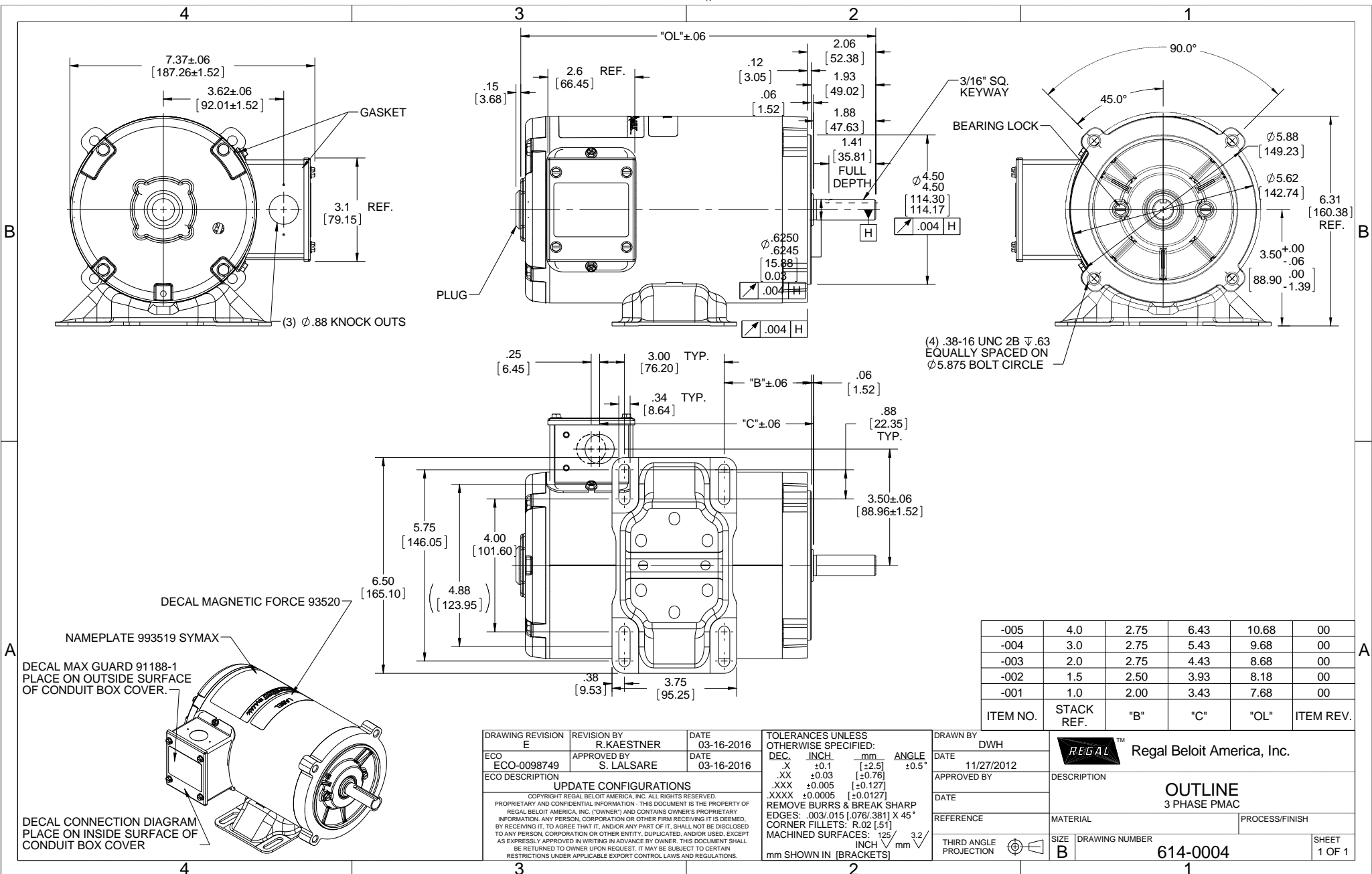
Nameplate Specifications

Output HP	0.50 Hp	Output KW	0.37 kW
Frequency	90 Hz	Voltage	230/460 V
Current	1.9/0.80 A	Speed	1800 rpm
Service Factor	1	Phase	3
Efficiency	82.2 %	Duty	Continuous
Insulation Class	F	Design Code	PM
KVA Code	NO KVA CODE	Frame	S56Z
Enclosure	Totally Enclosed Non Ventilated	Overload Protector	No
Ambient Temperature	40 °C	Drive End Bearing Size	6203
Opp Drive End Bearing Size	6203	UL	Recognized
CSA	Y	CE	Y
IP Code	43		

Technical Specifications

Electrical Type	AC Permanent Magnet	Starting Method	Inverter Only
Poles	6	Rotation	Reversible
Mounting	Rigid base	Motor Orientation	Horizontal
Drive End Bearing	Ball	Opp Drive End Bearing	Ball
Frame Material	Rolled Steel	Shaft Type	Single Special Extension
Overall Length	7.68 in	Shaft Diameter	0.625 in
Shaft Extension	2.06 in	Assembly/Box Mounting	F1 Only
Outline Drawing	614-0004-001	Connection Diagram	EE7308

This is an uncontrolled document once printed or downloaded and is subject to change without notice. Date Created: 06/29/2018



-005	4.0	2.75	6.43	10.68	00
-004	3.0	2.75	5.43	9.68	00
-003	2.0	2.75	4.43	8.68	00
-002	1.5	2.50	3.93	8.18	00
-001	1.0	2.00	3.43	7.68	00
ITEM NO.	STACK REF.	"B"	"C"	"OL"	ITEM REV.

DRAWING REVISION E	REVISION BY R. KAESTNER	DATE 03-16-2016
ECO ECO-0098749	APPROVED BY S. LALSARE	DATE 03-16-2016
ECO DESCRIPTION UPDATE CONFIGURATIONS		

TOLERANCES UNLESS OTHERWISE SPECIFIED:			
DEC.	INCH	mm	ANGLE
.X	+0.1	[+2.5]	±0.5°
.XX	+0.03	[+0.76]	
.XXX	+0.005	[±0.127]	
.XXXX	+0.0005	[±0.0127]	
REMOVE BURRS & BREAK SHARP EDGES: .003/.015 [0.076/.381] X 45°			
CORNER FILLETS: R.02 [51]			
MACHINED SURFACES: 125/3.2			
mm SHOWN IN [BRACKETS]			

DRAWN BY DWH
DATE 11/27/2012
APPROVED BY
DATE
REFERENCE
THIRD ANGLE PROJECTION

REGAL™ Regal Beloit America, Inc.

OUTLINE
3 PHASE PMAC

MATERIAL	PROCESS/FINISH
SIZE B	DRAWING NUMBER 614-0004
SHEET 1 OF 1	

4 3 2 1



				TOLERANCES UNLESS SPECIFIED		REGAL TM Regal Beloit America, Inc.		DRAWN RM 11/20/1990		
		SL	AB	DEC.	INCHES			CHK	ML 11/21/1990	
5	CHG TO REGAL LOGO	09/10/2015						APPD	SAS 04/24/2003	
4	REVISED IEC NOTATIONS	11/15/2011	CMN	.X	±.1	TITLE CONNECTION DIAGRAM 3Ø - DUAL VOLTAGE MOTOR		SCALE 1=1		
3	ADDED IEC NOTATIONS... (U1), (V1) ETC. MU95194	5/10/2010	MJS	.XX	±.02			REF		
2	ADDED THE OPTIONAL CORD CONNECTION MU46318	04/24/2003	DRS	.XXX	±.005	MAT'L.		FMF		
1	REDRAWN	11/20/1990		.XXXX	±.0005			PREV		
NO.	REVISION	BY & DATE	CHK	ANG	±7'30"	FINISH				
THIS DRAWING IN DESIGN AND DETAIL IS OUR PROPERTY AND MUST NOT BE USED EXCEPT IN CONNECTION WITH OUR WORK ALL RIGHTS OF DESIGN AND INVENTION ARE RESERVED THIS IS AN ELECTRONICALLY GENERATED DOCUMENT - DO NOT SCALE THIS PRINT				RFP		CAD FILE ee7308	SIZE A	DRAWING NO. EE7308	PAGE OF 5	REV. 5
				DIST	WP					