

# PRODUCT INFORMATION PACKET

**marathon**<sup>®</sup>  
Motors

Model No: 056E17W2003  
Catalog No: Z641  
1 1/2, 1750, TEFC, 56C, DC/180  
Sub-Fractional



Regal and Marathon are trademarks of Regal Beloit Corporation or one of its affiliated companies.  
©2018 Regal Beloit Corporation, All Rights Reserved. MC017097E

**REGAL**<sup>®</sup>



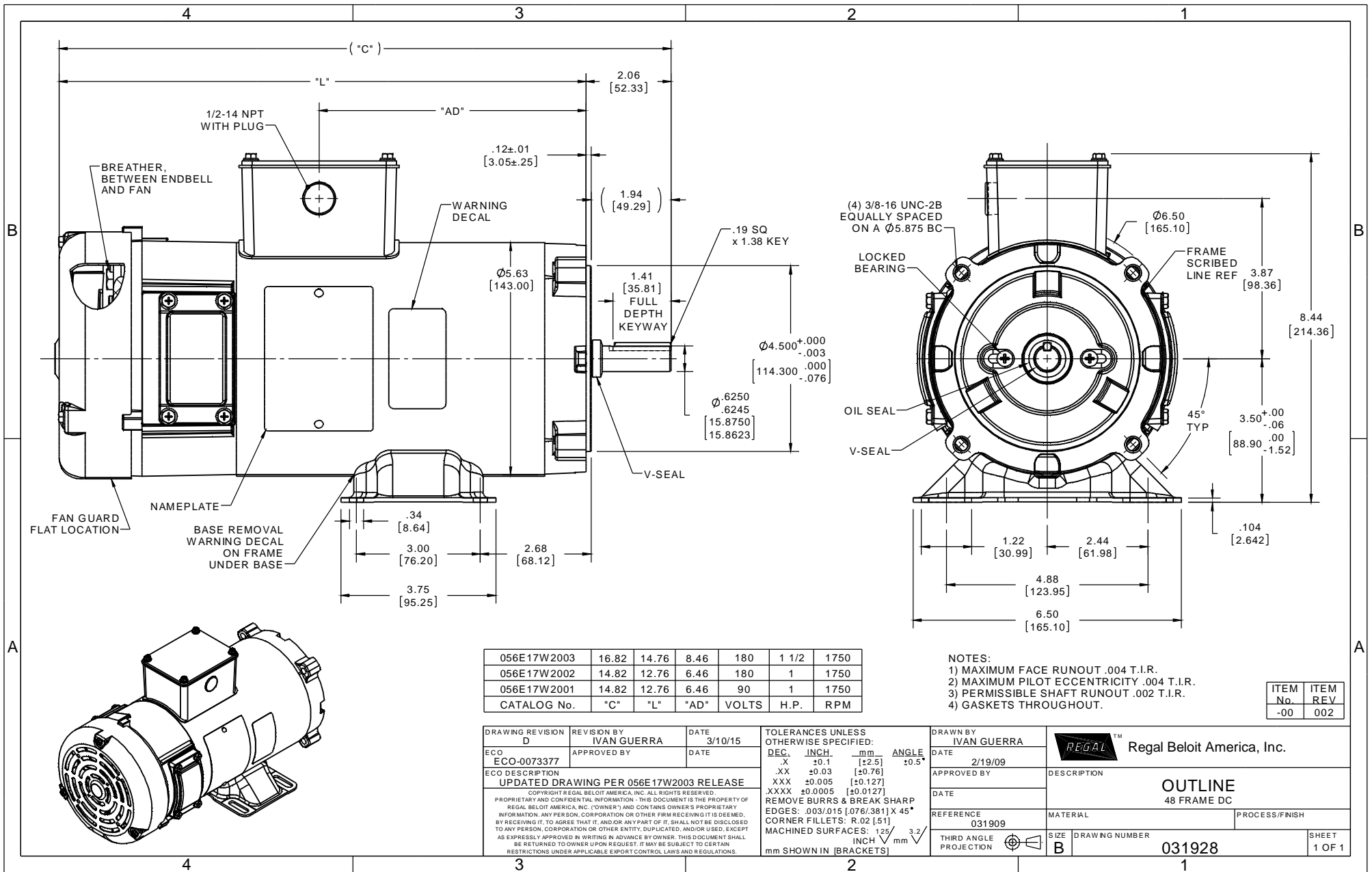
**Nameplate Specifications**

Output HP	<b>1.50 Hp</b>	Output KW	<b>1.1 kW</b>
Voltage	<b>180 V</b>	Current	<b>7.6 A</b>
Speed	<b>1750 rpm</b>	Service Factor	<b>1</b>
Efficiency	<b>86.5 %</b>	Duty	<b>Continuous</b>
Insulation Class	<b>H</b>	Frame	<b>S56C</b>
Enclosure	<b>Totally Enclosed Fan Cooled</b>	Overload Protector	<b>No</b>
Ambient Temperature	<b>40 °C</b>	Drive End Bearing Size	<b>6203</b>
Opp Drive End Bearing Size	<b>6203</b>	UL	<b>Recognized</b>
CSA	<b>Y</b>	CE	<b>N</b>

**Technical Specifications**

Rotation	<b>Reversible</b>	Mounting	<b>Rigid C base</b>
Frame Length	<b>9.47 in</b>	Shaft Diameter	<b>0.625 in</b>
Outline Drawing	<b>031928-947</b>		

**This is an uncontrolled document once printed or downloaded and is subject to change without notice. Date Created: 06/29/2018**



056E17W2003	16.82	14.76	8.46	180	1 1/2	1750
056E17W2002	14.82	12.76	6.46	180	1	1750
056E17W2001	14.82	12.76	6.46	90	1	1750
CATALOG No.	"C"	"L"	"AD"	VOLTS	H.P.	RPM

- NOTES:  
 1) MAXIMUM FACE RUNOUT .004 T.I.R.  
 2) MAXIMUM PILOT ECCENTRICITY .004 T.I.R.  
 3) PERMISSIBLE SHAFT RUNOUT .002 T.I.R.  
 4) GASKETS THROUGHOUT.

ITEM No.	REV
-00	002

DRAWING REVISION D		REVISION BY IVAN GUERRA	DATE 3/10/15	TOLERANCES UNLESS OTHERWISE SPECIFIED: DEC. INCH. mm ANGLE		DRAWN BY IVAN GUERRA		Regal Beloit America, Inc.	
ECO ECO-0073377		APPROVED BY	DATE	.X ±0.1 [±2.5]	±0.5°	DATE 2/19/09		DESCRIPTION	
ECO DESCRIPTION UPDATED DRAWING PER 056E17W2003 RELEASE				.XX ±0.03 [±0.76]		APPROVED BY		OUTLINE 48 FRAME DC	
<small>COPYRIGHT © REGAL BELOIT AMERICA, INC. ALL RIGHTS RESERVED. PROPRIETARY AND CONFIDENTIAL INFORMATION. THIS DOCUMENT IS THE PROPERTY OF REGAL BELOIT AMERICA, INC. (OWNER) AND CONTAINS OWNER'S PROPRIETARY INFORMATION. ANY PERSON, CORPORATION OR OTHER FIRM RECEIVING IT IS DEEMED, BY RECEIVING IT, TO AGREE THAT IT AND/OR ANY PART OF IT, SHALL NOT BE DISCLOSED TO ANY PERSON, CORPORATION OR OTHER ENTITY, DUPLICATED, AND/OR USED, EXCEPT AS EXPRESSLY APPROVED IN WRITING IN ADVANCE BY OWNER. THIS DOCUMENT SHALL BE RETURNED TO OWNER UPON REQUEST. IT MAY BE SUBJECT TO CERTAIN RESTRICTIONS UNDER APPLICABLE EXPORT CONTROL LAWS AND REGULATIONS.</small>				.XXX ±0.005 [±0.127]		DATE		PROCESS/FINISH	
				.XXXX ±0.0005 [±0.0127]		REFERENCE 031909		MATERIAL	
				REMOVE BURRS & BREAK SHARP EDGES: .003/.015 [0.076/.381] X 45°		SIZE B		DRAWING NUMBER 031928	
				CORNER FILLETS: R.02 [51]		SHEET 1 OF 1			
				MACHINED SURFACES: 125 INCH mm 3.2					
				mm SHOWN IN [BRACKETS]					