

PRODUCT INFORMATION PACKET

marathon[®]
Motors

Model No: 056E17W2002
Catalog No: Z639
1,1800,TEFC,56C,DC/180
Sub-Fractional



Regal and Marathon are trademarks of Regal Beloit Corporation or one of its affiliated companies.
©2018 Regal Beloit Corporation, All Rights Reserved. MC017097E

REGAL[®]



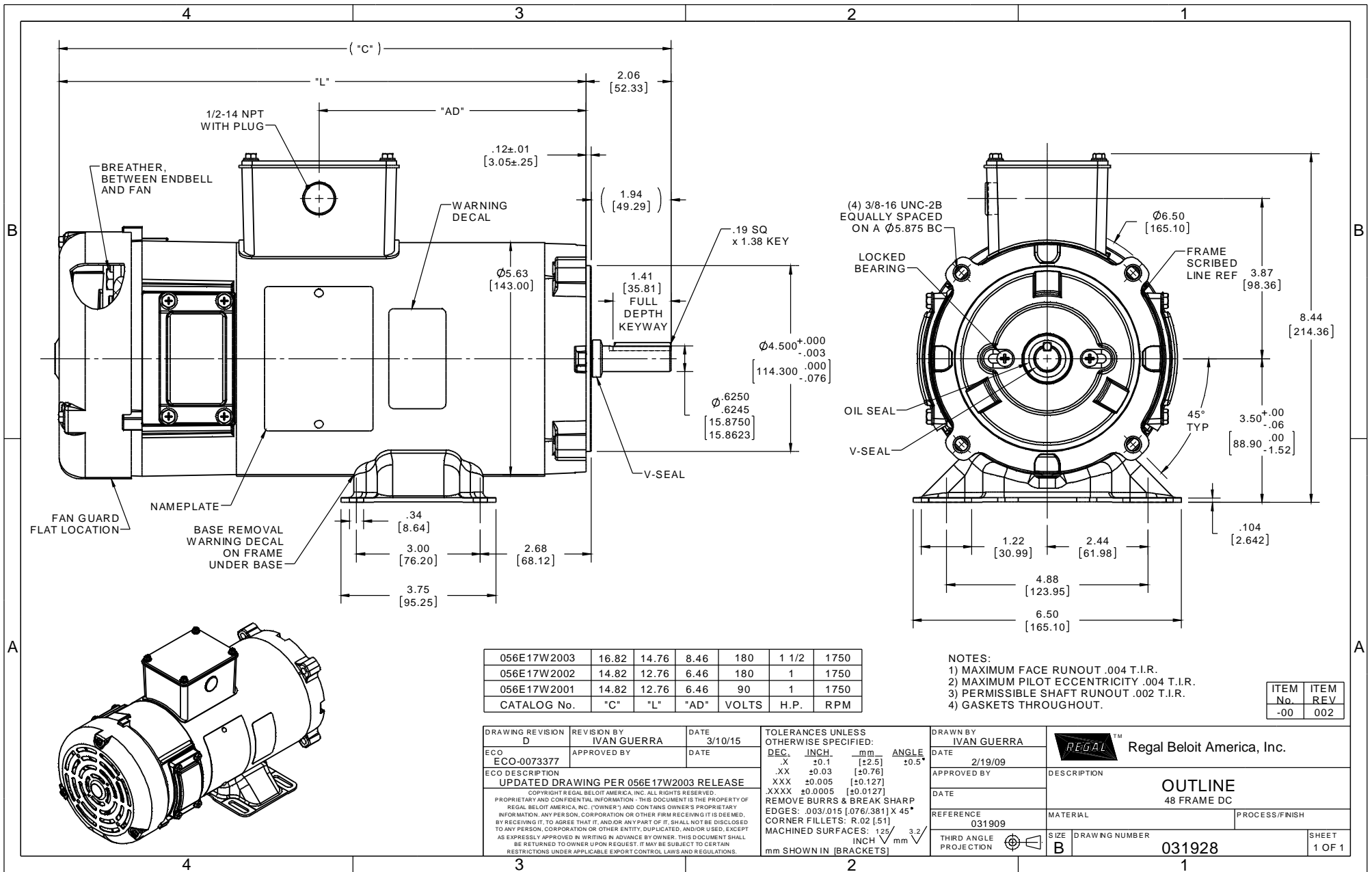
Nameplate Specifications

Output HP	1 Hp	Output KW	0.75 kW
Voltage	180 V	Current	5.0 A
Speed	1750 rpm	Service Factor	1
Efficiency	85 %	Duty	Continuous
Insulation Class	F	Frame	S56C
Enclosure	Totally Enclosed Fan Cooled	Overload Protector	No
Ambient Temperature	40 °C	Drive End Bearing Size	6203
Opp Drive End Bearing Size	6203	UL	Recognized
CSA	Y	CE	N

Technical Specifications

Rotation	Counterclockwise Lead End	Mounting	Rigid C base
Frame Length	7.47 in	Shaft Diameter	0.625 in
Outline Drawing	031928-747	Connection Diagram	N/A

This is an uncontrolled document once printed or downloaded and is subject to change without notice. Date Created: 07/02/2018



056E17W2003	16.82	14.76	8.46	180	1 1/2	1750
056E17W2002	14.82	12.76	6.46	180	1	1750
056E17W2001	14.82	12.76	6.46	90	1	1750
CATALOG No.	"C"	"L"	"AD"	VOLTS	H.P.	RPM

- NOTES:
 1) MAXIMUM FACE RUNOUT .004 T.I.R.
 2) MAXIMUM PILOT ECCENTRICITY .004 T.I.R.
 3) PERMISSIBLE SHAFT RUNOUT .002 T.I.R.
 4) GASKETS THROUGHOUT.

ITEM No.	ITEM REV.
-00	002

DRAWING REVISION D	REVISION BY IVAN GUERRA	DATE 3/10/15
ECO ECO-0073377	APPROVED BY	DATE
ECO DESCRIPTION UPDATED DRAWING PER 056E17W2003 RELEASE		
<small>COPYRIGHT © REGAL BELOIT AMERICA, INC. ALL RIGHTS RESERVED. PROPRIETARY AND CONFIDENTIAL INFORMATION - THIS DOCUMENT IS THE PROPERTY OF REGAL BELOIT AMERICA, INC. (OWNER) AND CONTAINS OWNER'S PROPRIETARY INFORMATION. ANY PERSON, CORPORATION OR OTHER FIRM RECEIVING IT IS DEEMED, BY RECEIVING IT, TO AGREE THAT IT, AND/OR ANY PART OF IT, SHALL NOT BE DISCLOSED TO ANY PERSON, CORPORATION OR OTHER ENTITY, DUPLICATED, AND/OR USED, EXCEPT AS EXPRESSLY APPROVED IN WRITING IN ADVANCE BY OWNER. THIS DOCUMENT SHALL BE RETURNED TO OWNER UPON REQUEST. IT MAY BE SUBJECT TO CERTAIN RESTRICTIONS UNDER APPLICABLE EXPORT CONTROL LAWS AND REGULATIONS.</small>		

TOLERANCES UNLESS OTHERWISE SPECIFIED:			
DEC.	INCH.	mm	ANGLE
.X	±0.1	[±2.5]	±0.5°
.XX	±0.03	[±0.76]	
.XXX	±0.005	[±0.127]	
.XXXX	±0.0005	[±0.0127]	
REMOVE BURRS & BREAK SHARP EDGES: .003/.015 [0.076/.381] X 45°			
CORNER FILLETS: R.02 [51]			
MACHINED SURFACES: 125 INCH √ mm 3.2			
mm SHOWN IN [BRACKETS]			

DRAWN BY IVAN GUERRA	Regal Beloit America, Inc.	
DATE 2/19/09	DESCRIPTION OUTLINE 48 FRAME DC	
APPROVED BY	MATERIAL	PROCESS/FINISH
DATE	REFERENCE 031909	THIRD ANGLE PROJECTION
SIZE B	DRAWING NUMBER 031928	SHEET 1 OF 1