

PRODUCT INFORMATION PACKET

marathon[®]
Motors

Model No: 056E17V2005
Catalog No: Z636
3/4,1750,TENV,56C,DC/90
Sub-Fractional



Regal and Marathon are trademarks of Regal Beloit Corporation or one of its affiliated companies.
©2018 Regal Beloit Corporation, All Rights Reserved. MC017097E

REGAL[®]



Nameplate Specifications

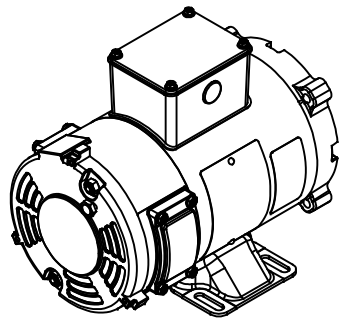
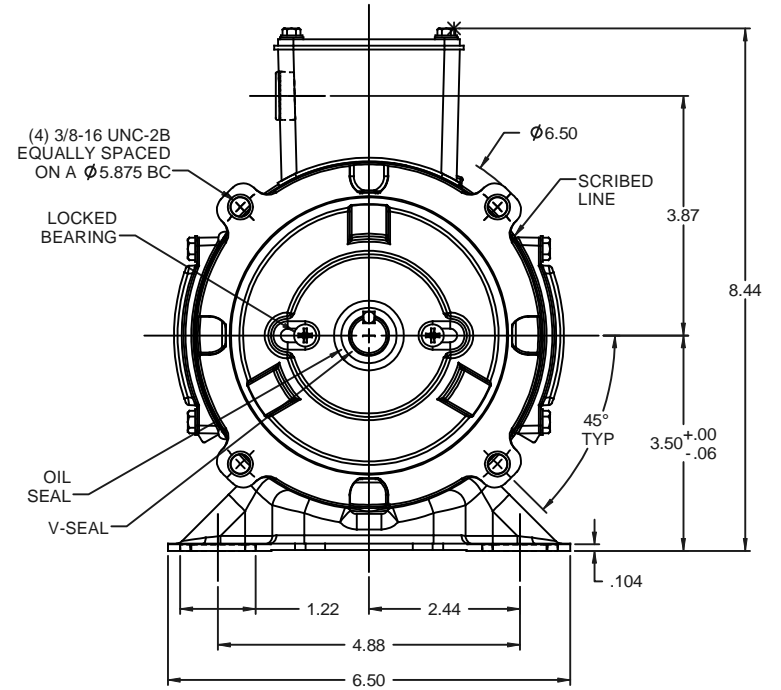
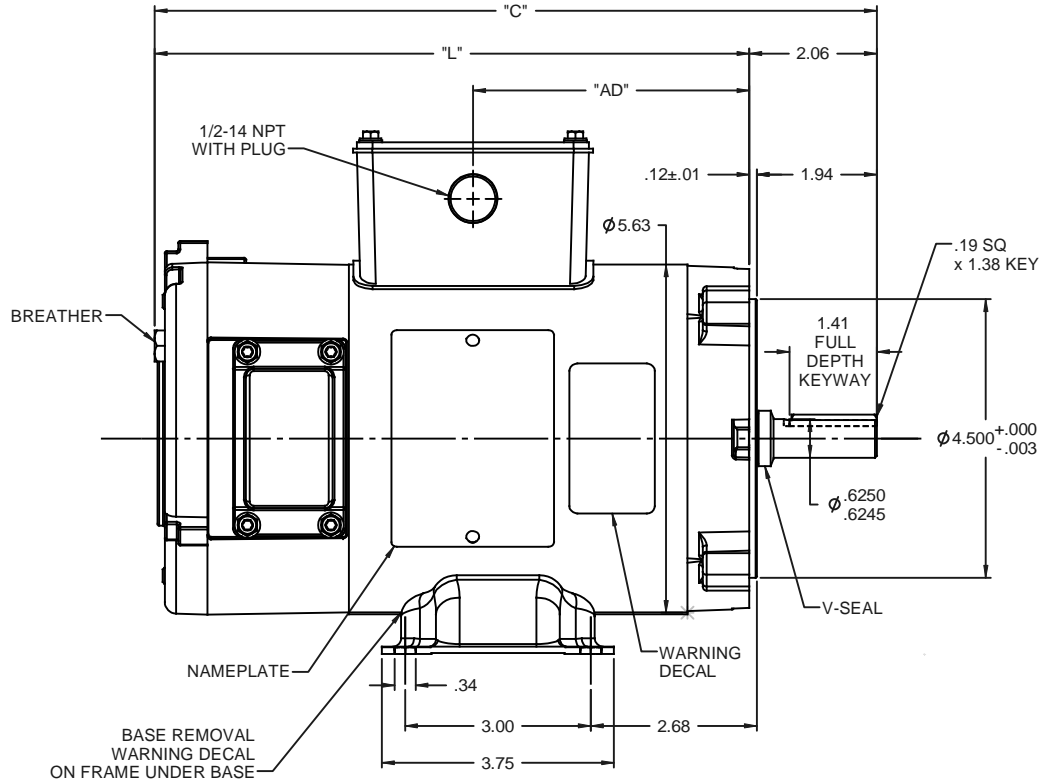
Output HP	0.75 Hp	Output KW	0.56 kW
Voltage	90 V	Current	7.0 A
Speed	1750 rpm	Service Factor	1
Efficiency	85.2 %	Duty	Continuous
Insulation Class	F	Frame	S56C
Enclosure	Totally Enclosed Non Ventilated	Overload Protector	No
Ambient Temperature	40 °C	Drive End Bearing Size	6203
Opp Drive End Bearing Size	6203	UL	Recognized
CSA	Y	CE	N

Technical Specifications

Rotation	Counterclockwise Lead End	Mounting	Rigid C base
Frame Length	8.47 in	Shaft Diameter	0.625 in
Outline Drawing	031927-847	Connection Diagram	N/A

This is an uncontrolled document once printed or downloaded and is subject to change without notice. Date Created: 07/02/2018

RBC PROPRIETARY AND CONFIDENTIAL INFORMATION
 This document is the property of REGAL BELOIT CORPORATION ("RBC") including its subsidiaries and divisions and contains proprietary information of RBC. This document is loaned on the express condition that neither it nor the information contained therein shall be disclosed to others without the express written consent of RBC, and that the information shall be used by the recipient only as approved expressly by RBC. This document shall be returned to RBC upon its request. This document may be subject to certain restrictions under U.S. export control laws and regulations.



056E17V2006	14.17	12.11	6.96	180	3/4	1750
056E17V2005	14.67	12.61	7.46	90	3/4	1750
056E17V2004	13.67	11.61	6.46	180	1/2	1750
056E17V2003	13.17	11.11	5.96	90	1/2	1750
056E17V2002	11.67	9.61	4.46	90	1/3	1750
056E17V2001	10.67	8.61	3.46	90	1/4	1750
CATALOG No.	"C"	"L"	"AD"	VOLTS	H.P.	RPM

- NOTES:
 1) MAXIMUM FACE RUNOUT .004 T.I.R.
 2) MAXIMUM PILOT ECCENTRICITY .004 T.I.R.
 3) PERMISSIBLE SHAFT RUNOUT .002 T.I.R.
 4) GASKETS THROUGHOUT.

		TOLERANCES UNLESS SPECIFIED		MARATHON ELECTRIC		DRAWN IPG 2/19/09	
		DEC	INCHES			CHK	SK 2/19/09
		x	±.1			APPR	
		.xx	±.03	TITLE OUTLINE		SCALE	1:2
		.xxx	±.005	48 FRAME DC		REF	031900
00	RELEASED	IPG	2/19/2009	SK	.xxx	MATL	FMF 056E17V2006
NO	REVISION	BY & DATE	CHK	ANG	±1/2°	FINISH	PAGE OF
			RFP			PREV	SIZE
		THIRD ANGLE PROJECTION			NETWORK FILE NAME		DRAWING NO
							B
							031927
							REV
							00