

# PRODUCT INFORMATION PACKET

**marathon**<sup>®</sup>  
Motors

Model No: 056E17T2005  
Catalog No: Z665  
1/2,1750,TENV,56C,DC/24  
Low Voltage



Regal and Marathon are trademarks of Regal Beloit Corporation or one of its affiliated companies.

©2018 Regal Beloit Corporation, All Rights Reserved. MC017097E

**REGAL**<sup>®</sup>



**Nameplate Specifications**

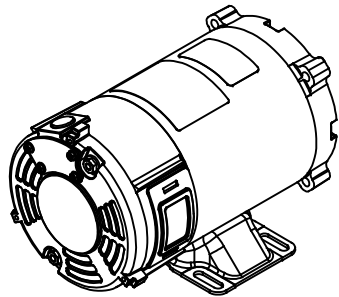
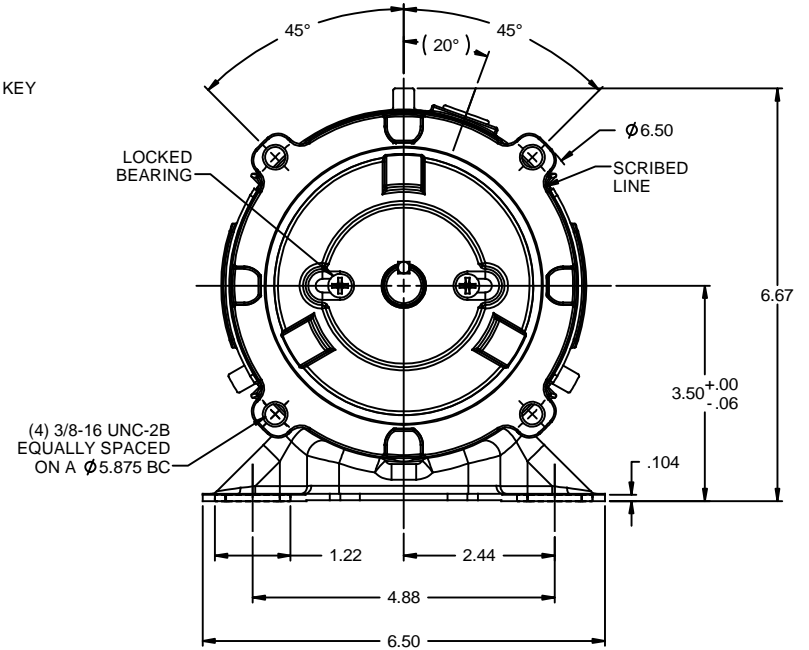
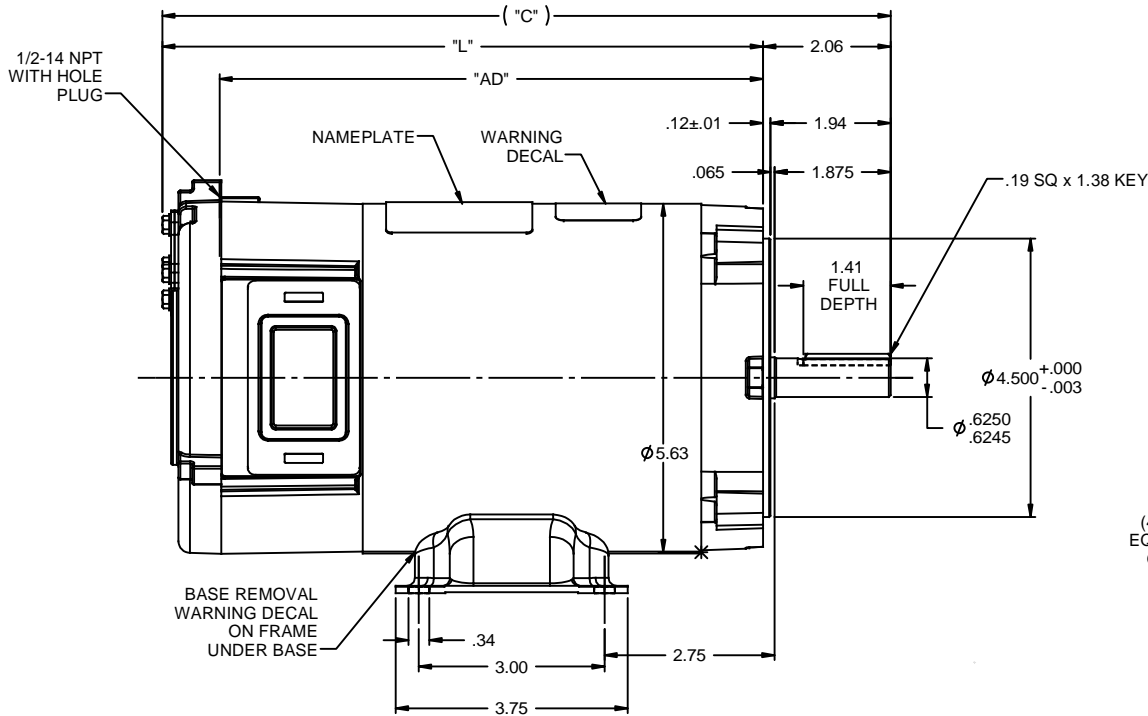
Output HP	<b>0.50 Hp</b>	Output KW	<b>0.37 kW</b>
Voltage	<b>24 V</b>	Current	<b>20.0 A</b>
Speed	<b>1800 rpm</b>	Service Factor	<b>1</b>
Efficiency	<b>77 %</b>	Duty	<b>Continuous</b>
Insulation Class	<b>F</b>	Frame	<b>S56C</b>
Enclosure	<b>Totally Enclosed Non Ventilated</b>	Overload Protector	<b>No</b>
Ambient Temperature	<b>40 °C</b>	Drive End Bearing Size	<b>203</b>
Opp Drive End Bearing Size	<b>203</b>	UL	<b>Recognized</b>
CSA	<b>Y</b>	CE	<b>N</b>

**Technical Specifications**

Rotation	<b>Reversible</b>	Mounting	<b>Rigid C base</b>
Frame Length	<b>5.47 in</b>	Shaft Diameter	<b>0.625 in</b>
Outline Drawing	<b>031906-547</b>		

**This is an uncontrolled document once printed or downloaded and is subject to change without notice. Date Created: 06/28/2018**

RBC PROPRIETARY AND CONFIDENTIAL INFORMATION  
 This document is the property of REGAL BELOIT CORPORATION ("RBC") including its subsidiaries and divisions and contains proprietary information of RBC. This document is loaned on the express condition that neither it nor the information contained therein shall be disclosed to others without the express written consent of RBC, and that the information shall be used by the recipient only as approved expressly by RBC. This document shall be returned to RBC upon its request. This document may be subject to certain restrictions under U.S. export control laws and regulations.



- NOTES:  
 1) MAXIMUM FACE RUNOUT .004 T.I.R.  
 2) MAXIMUM PILOT ECCENTRICITY .004 T.I.R.  
 3) PERMISSIBLE SHAFT RUNOUT .002 T.I.R.  
 4) GASKETS THROUGHOUT.

056E17T2005	11.77	9.71	8.78	24	1/2	1800
056E17T2004	11.77	9.71	8.78	12	1/2	1800
056E17T2003	10.77	8.71	7.78	24	1/3	1800
056E17T2002	10.77	8.71	7.78	12	1/3	1800
056E17T2001	10.27	8.21	7.28	12	1/4	1800
<b>CATALOG No.</b>	<b>"C"</b>	<b>"L"</b>	<b>"AD"</b>	<b>VOLTS</b>	<b>H.P.</b>	<b>RPM</b>

			TOLERANCES UNLESS SPECIFIED			DRAWN IPG 6/10/08	
			DEC	INCHES		CHK BC 6/10/08	
			X	±.1		APPR	
02	ADDED 056E17T2001 TO TABLE	IPG 5/13/2010	SK	.XX ±.03	TITLE	OUTLINE	SCALE 1:2
01	ADDED CAT NOS. 056E17T2002, 056E17T2003 & 056E17T2005	RPB 1/9/2009	BC	.XXX ±.005		48 FRAME DC	REF 031880
--	RELEASED: REF. 031880 & 031672	IPG 6/10/2008	BC	.XXX ±.0005	MATL		FMF 056E17T2004
NO	REVISION	BY & DATE	CHK	ANG ±1/2°	FINISH		PAGE OF
	THIRD ANGLE PROJECTION		RFP	PREV		SIZE	DRAWING NO
				NETWORK FILE NAME	031906	<b>B</b>	<b>031906</b>
							REV 02