

PRODUCT INFORMATION PACKET

marathon[®]
Motors

Model No: 056E17T2003
Catalog No: Z663
1/3,1800,TENV,56C,DC/24
Low Voltage



Regal and Marathon are trademarks of Regal Beloit Corporation or one of its affiliated companies.

©2018 Regal Beloit Corporation, All Rights Reserved. MC017097E

REGAL[®]



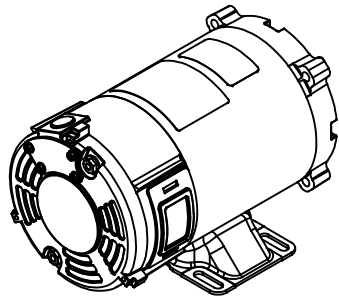
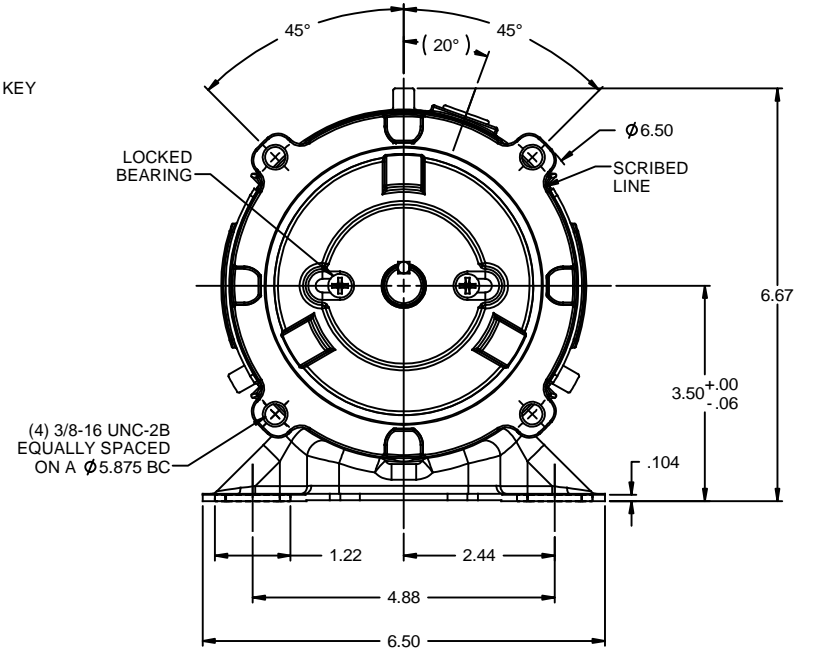
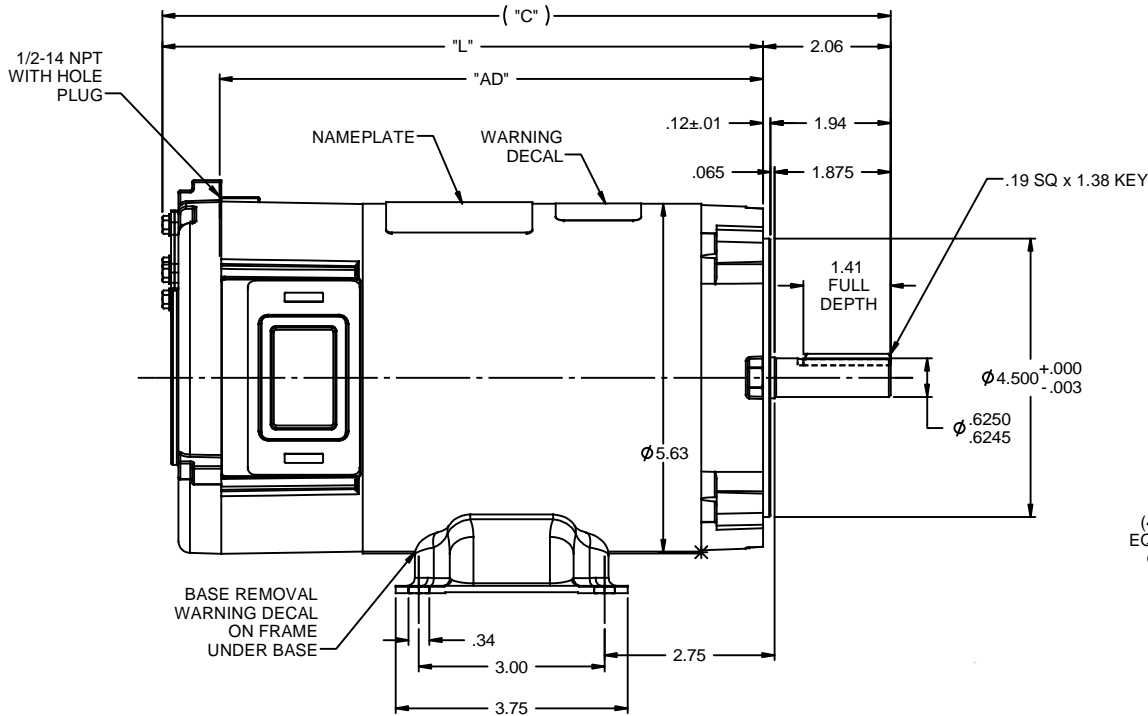
Nameplate Specifications

Output HP	0.33 Hp	Output KW	0.25 kW
Voltage	24 V	Current	13.5 A
Speed	1800 rpm	Service Factor	1
Efficiency	70.3 %	Duty	Continuous
Insulation Class	H	Frame	S56C
Enclosure	Totally Enclosed Non Ventilated	Overload Protector	No
Ambient Temperature	40 °C	Drive End Bearing Size	6203
Opp Drive End Bearing Size	6203	UL	Recognized
CSA	Y	CE	N

Technical Specifications

Rotation	Reversible	Mounting	Rigid C base
Frame Length	4.47 in	Shaft Diameter	0.625 in
Outline Drawing	031906-447		

This is an uncontrolled document once printed or downloaded and is subject to change without notice. Date Created: 06/29/2018



- NOTES:
 1) MAXIMUM FACE RUNOUT .004 T.I.R.
 2) MAXIMUM PILOT ECCENTRICITY .004 T.I.R.
 3) PERMISSIBLE SHAFT RUNOUT .002 T.I.R.
 4) GASKETS THROUGHOUT.

CATALOG No.	"C"	"L"	"AD"	VOLTS	H.P.	RPM
056E17T2005	11.77	9.71	8.78	24	1/2	1800
056E17T2004	11.77	9.71	8.78	12	1/2	1800
056E17T2003	10.77	8.71	7.78	24	1/3	1800
056E17T2002	10.77	8.71	7.78	12	1/3	1800
056E17T2001	10.27	8.21	7.28	12	1/4	1800

		TOLERANCES UNLESS SPECIFIED		DRAWN	
		DEC	INCHES	IPG 6/10/08	
		X	±.1	CHK	BC 6/10/08
02	ADDED 056E17T2001 TO TABLE	IPG	5/13/2010	SK	XX ±.03
01	ADDED CAT NOS. 056E17T2002, 056E17T2003 & 056E17T2005	RPB	1/9/2009	BC	XXX ±.005
--	RELEASED: REF. 031880 & 031672	IPG	6/10/2008	BC	XXX ±.0005
NO	REVISION	BY & DATE	CHK	ANG	±1/2°
	THIRD ANGLE PROJECTION		RFP	PREV	
			NETWORK FILE NAME	031906	
			SIZE	DRAWING NO	REV
			B	031906	02



DRAWN IPG 6/10/08
 CHK BC 6/10/08
 APPR
 SCALE 1:2
 REF 031880
 FMF 056E17T2004
 PAGE OF