

# PRODUCT INFORMATION PACKET

**marathon**<sup>®</sup>  
Motors

Model No: 056E17T2002  
Catalog No: Z662  
1/3,1800,TENV,56C,DC/12  
Low Voltage



Regal and Marathon are trademarks of Regal Beloit Corporation or one of its affiliated companies.  
©2018 Regal Beloit Corporation, All Rights Reserved. MC017097E

**REGAL**<sup>®</sup>



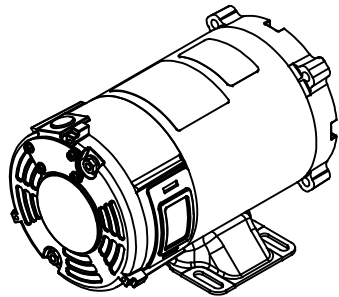
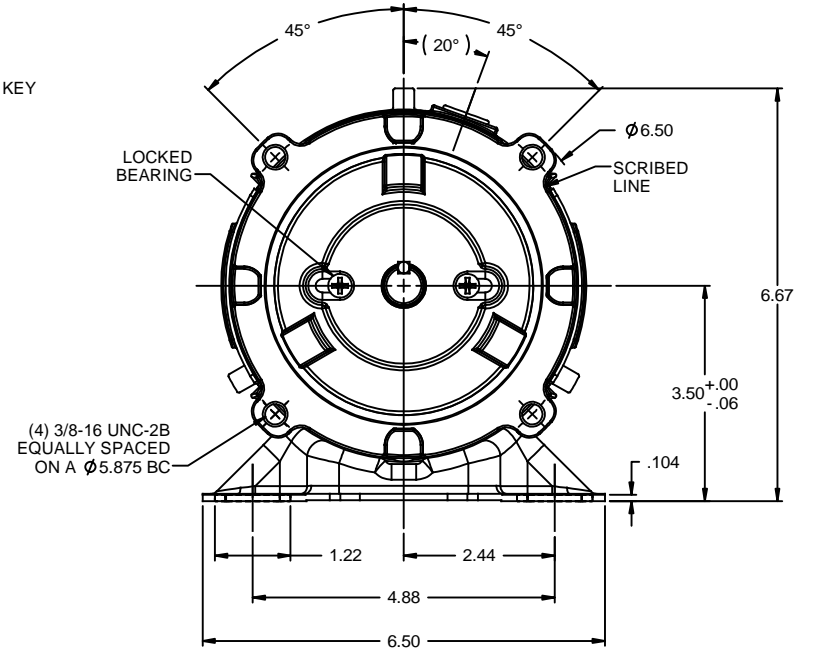
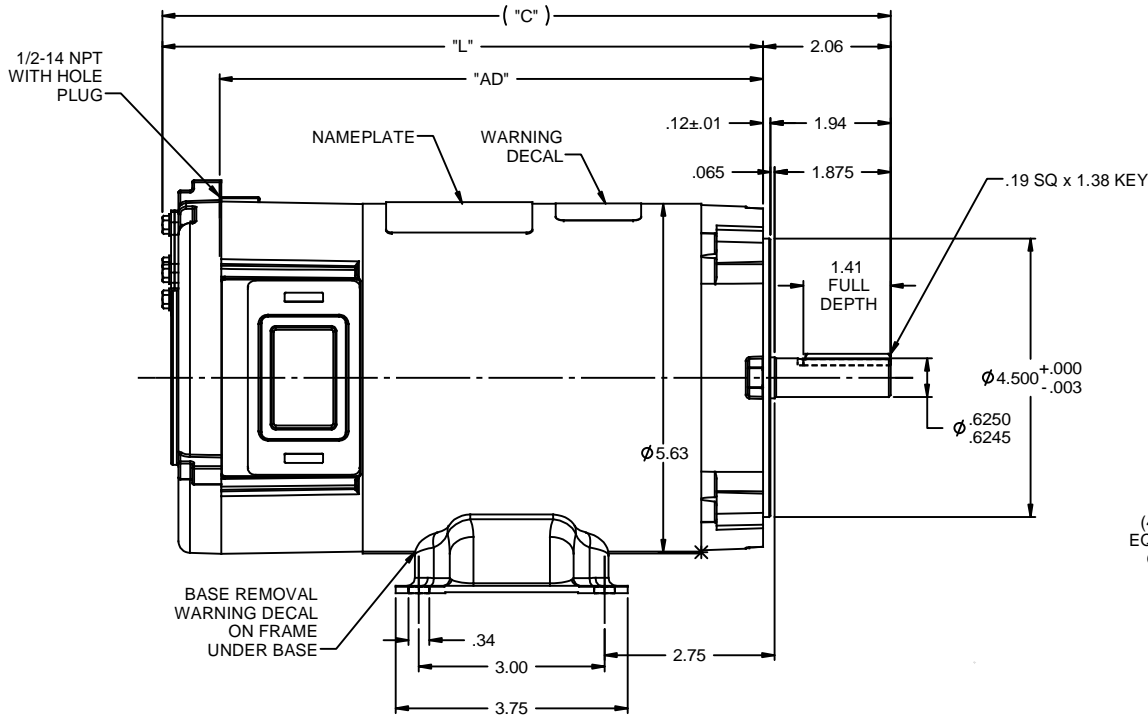
### Nameplate Specifications

Output HP	<b>0.33 Hp</b>	Output KW	<b>0.25 kW</b>
Voltage	<b>12 V</b>	Current	<b>27.0 A</b>
Speed	<b>1800 rpm</b>	Service Factor	<b>1</b>
Efficiency	<b>70.1 %</b>	Duty	<b>Continuous</b>
Insulation Class	<b>H</b>	Frame	<b>S56C</b>
Enclosure	<b>Totally Enclosed Non Ventilated</b>	Overload Protector	<b>No</b>
Ambient Temperature	<b>40 °C</b>	Drive End Bearing Size	<b>6203</b>
Opp Drive End Bearing Size	<b>6203</b>	UL	<b>Recognized</b>
CSA	<b>Y</b>	CE	<b>N</b>

### Technical Specifications

Rotation	<b>Reversible</b>	Mounting	<b>Rigid C base</b>
Frame Length	<b>4.47 in</b>	Shaft Diameter	<b>0.625 in</b>
Outline Drawing	<b>031906-447</b>		

**This is an uncontrolled document once printed or downloaded and is subject to change without notice. Date Created: 06/29/2018**



- NOTES:  
 1) MAXIMUM FACE RUNOUT .004 T.I.R.  
 2) MAXIMUM PILOT ECCENTRICITY .004 T.I.R.  
 3) PERMISSIBLE SHAFT RUNOUT .002 T.I.R.  
 4) GASKETS THROUGHOUT.

056E17T2005	11.77	9.71	8.78	24	1/2	1800
056E17T2004	11.77	9.71	8.78	12	1/2	1800
056E17T2003	10.77	8.71	7.78	24	1/3	1800
056E17T2002	10.77	8.71	7.78	12	1/3	1800
056E17T2001	10.27	8.21	7.28	12	1/4	1800
CATALOG No.	"C"	"L"	"AD"	VOLTS	H.P.	RPM

		TOLERANCES UNLESS SPECIFIED		<b>MARATHON ELECTRIC</b>		DRAWN IPG 6/10/08	
		DEC INCHES				CHK BC 6/10/08	
		X ±.1				APPR	
02	ADDED 056E17T2001 TO TABLE	IPG 5/13/2010	SK XX ±.03	TITLE OUTLINE		SCALE 1:2	
01	ADDED CAT NOS. 056E17T2002, 056E17T2003 & 056E17T2005	RPB 1/9/2009	BC XXX ±.005	48 FRAME DC		REF 031880	
--	RELEASED: REF. 031880 & 031672	IPG 6/10/2008	BC XXXX ±.0005	MATL		FMF 056E17T2004	
NO	REVISION	BY & DATE	CHK ANG ±1/2°	FINISH		PAGE OF	
THIRD ANGLE PROJECTION			RFP	PREV		SIZE	DRAWING NO
			NETWORK FILE NAME	031906		<b>B</b>	<b>031906</b>
							REV
							<b>02</b>