

PRODUCT INFORMATION PACKET

marathon[®]
Motors

Model No: 056E17T2001
Catalog No: Z660
1/4, 1800, TENV, 56C, DC/12
Low Voltage



Regal and Marathon are trademarks of Regal Beloit Corporation or one of its affiliated companies.
©2018 Regal Beloit Corporation, All Rights Reserved. MC017097E

REGAL



Nameplate Specifications

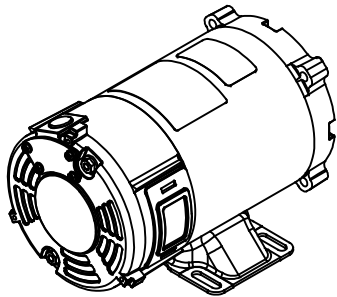
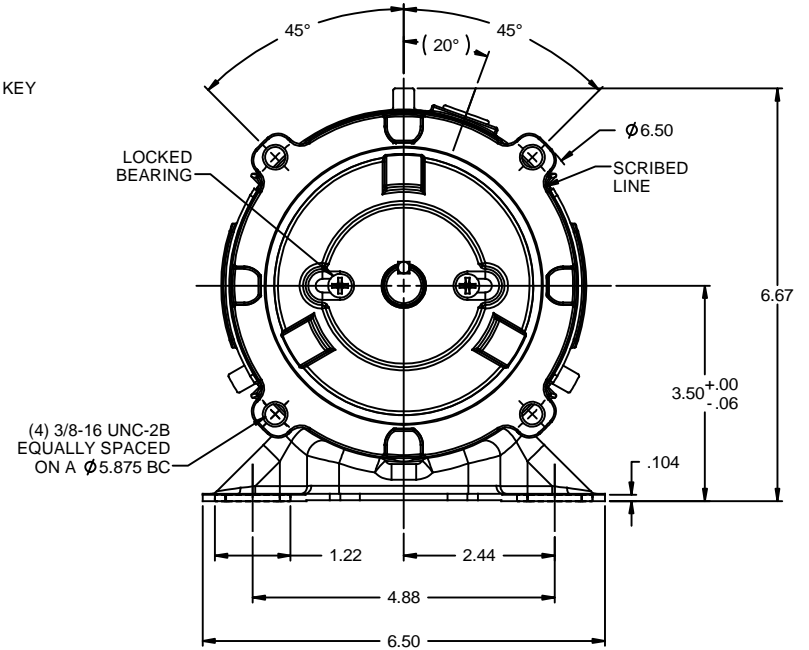
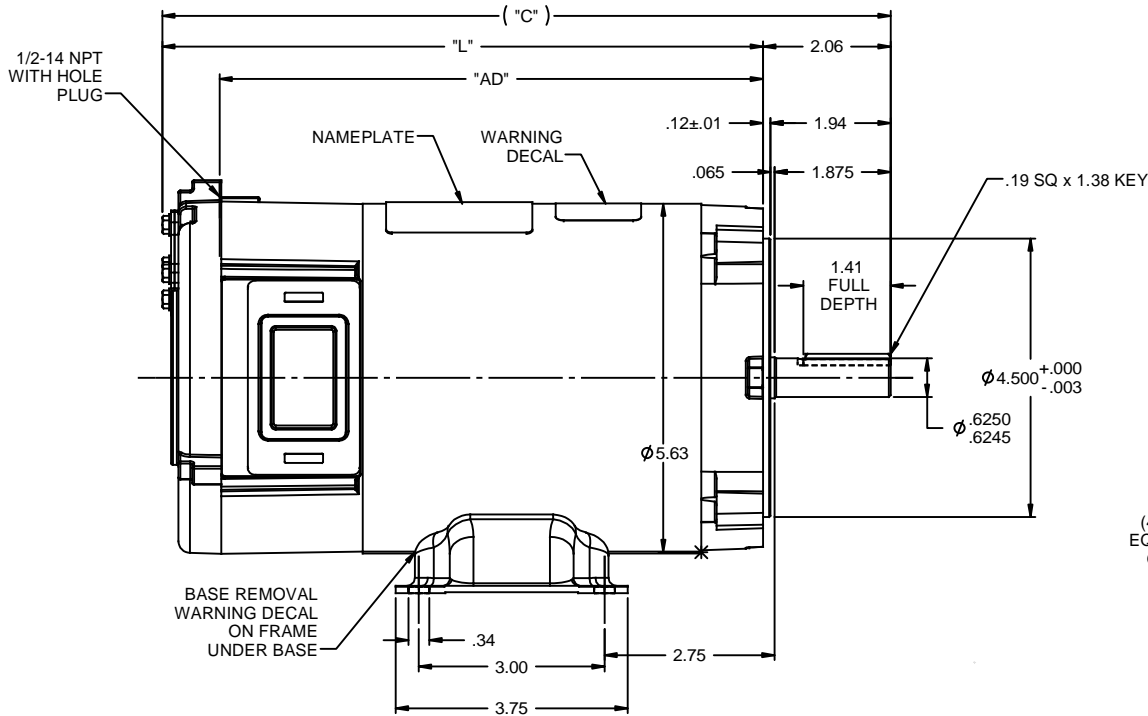
Output HP	0.25 Hp	Output KW	0.19 kW
Voltage	12 V	Current	21.0 A
Speed	1800 rpm	Service Factor	1
Efficiency	72.1 %	Duty	Continuous
Insulation Class	F	Frame	S56C
Enclosure	Totally Enclosed Non Ventilated	Overload Protector	No
Ambient Temperature	40 °C	Drive End Bearing Size	6203
Opp Drive End Bearing Size	6203	UL	Recognized
CSA	Y	CE	N

Technical Specifications

Rotation	Reversible	Mounting	Rigid C base
Shaft Diameter	0.625 in		
Outline Drawing	031906-397		

This is an uncontrolled document once printed or downloaded and is subject to change without notice. Date Created: 06/29/2018

RBC PROPRIETARY AND CONFIDENTIAL INFORMATION
 This document is the property of REGAL BELOIT CORPORATION ("RBC") including its subsidiaries and divisions and contains proprietary information of RBC. This document is loaned on the express condition that neither it nor the information contained therein shall be disclosed to others without the express written consent of RBC, and that the information shall be used by the recipient only as approved expressly by RBC. This document shall be returned to RBC upon its request. This document may be subject to certain restrictions under U.S. export control laws and regulations.



- NOTES:
 1) MAXIMUM FACE RUNOUT .004 T.I.R.
 2) MAXIMUM PILOT ECCENTRICITY .004 T.I.R.
 3) PERMISSIBLE SHAFT RUNOUT .002 T.I.R.
 4) GASKETS THROUGHOUT.

056E17T2005	11.77	9.71	8.78	24	1/2	1800
056E17T2004	11.77	9.71	8.78	12	1/2	1800
056E17T2003	10.77	8.71	7.78	24	1/3	1800
056E17T2002	10.77	8.71	7.78	12	1/3	1800
056E17T2001	10.27	8.21	7.28	12	1/4	1800
CATALOG No.	"C"	"L"	"AD"	VOLTS	H.P.	RPM

		TOLERANCES UNLESS SPECIFIED		DRAWN	
		DEC	INCHES	IPG 6/10/08	
		X	±.1	CHK	BC 6/10/08
02	ADDED 056E17T2001 TO TABLE	IPG	5/13/2010	SK	XX ±.03
01	ADDED CAT NOS. 056E17T2002, 056E17T2003 & 056E17T2005	RPB	1/9/2009	BC	XXX ±.005
--	RELEASED: REF. 031880 & 031672	IPG	6/10/2008	BC	XXX ±.0005
NO	REVISION	BY & DATE	CHK	ANG	±1/2°
	THIRD ANGLE PROJECTION		RFP	PREV	
			NETWORK FILE NAME	031906	
			SIZE	DRAWING NO	REV
			B	031906	02



DRAWN IPG 6/10/08
 CHK BC 6/10/08
 APPR

SCALE 1:2
 REF 031880
 FMF 056E17T2004
 PAGE OF