

# PRODUCT INFORMATION PACKET

**marathon**<sup>®</sup>  
Motors

Model No: 056E17F2015  
Catalog No: Z671  
2,1800,TEFC,S56C,DC-24  
Low Voltage



Regal and Marathon are trademarks of Regal Beloit Corporation or one of its affiliated companies.

©2018 Regal Beloit Corporation, All Rights Reserved. MC017097E

**REGAL**<sup>®</sup>



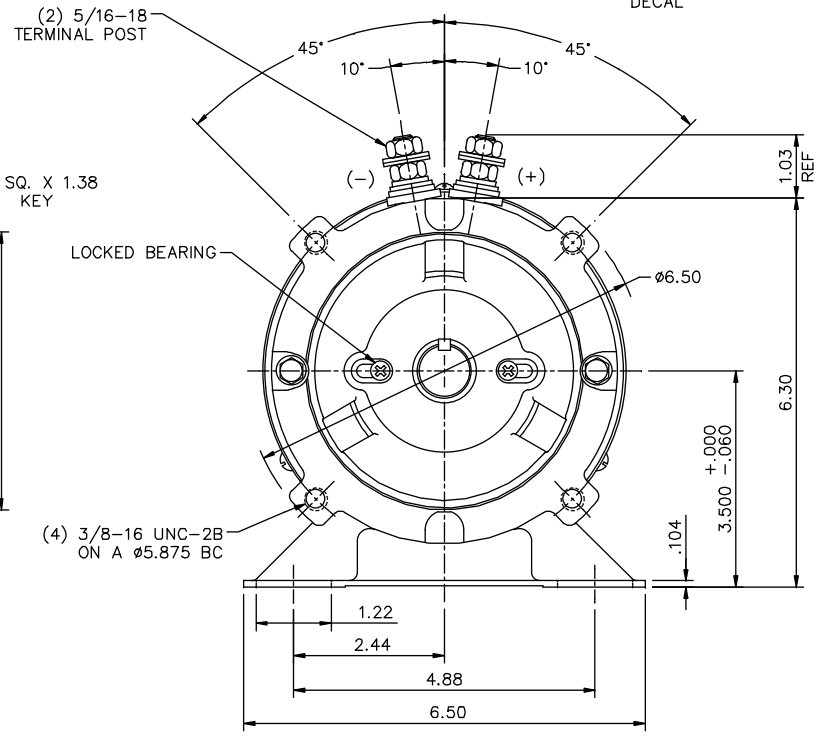
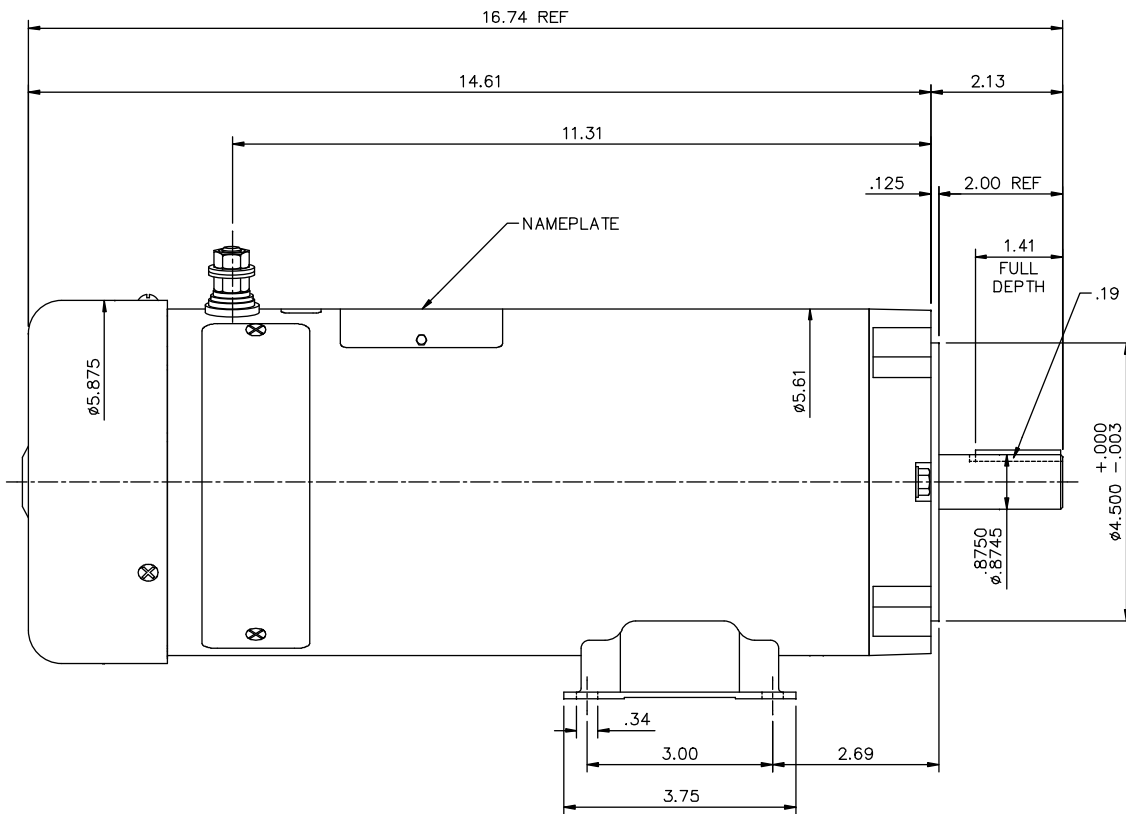
**Nameplate Specifications**

Output HP	<b>2 Hp</b>	Output KW	<b>1.5 kW</b>
Voltage	<b>24 V</b>	Current	<b>70.0 A</b>
Speed	<b>1800 rpm</b>	Service Factor	<b>1</b>
Efficiency	<b>85.8 %</b>	Duty	<b>Continuous</b>
Insulation Class	<b>F</b>	Frame	<b>S56CZ</b>
Enclosure	<b>Totally Enclosed Fan Cooled</b>	Overload Protector	<b>No</b>
Ambient Temperature	<b>40 °C</b>	Drive End Bearing Size	<b>6205</b>
Opp Drive End Bearing Size	<b>6203</b>	UL	<b>Recognized</b>
CSA	<b>Y</b>	CE	<b>N</b>

**Technical Specifications**

Rotation	<b>Reversible</b>	Mounting	<b>Rigid C base</b>
Frame Length	<b>11.50 in</b>	Shaft Diameter	<b>0.875 in</b>
Outline Drawing	<b>612-0139-000</b>		

**This is an uncontrolled document once printed or downloaded and is subject to change without notice. Date Created: 06/29/2018**



- NOTES:
1. MAXIMUM FACE RUNOUT TO BE .004 T.I.R.
  2. MAXIMUM PILOT ECCENTRICITY .004 T.I.R.
  3. PERMISSIBLE SHAFT RUNOUT .002 T.I.R.
  4. GASKETS THROUGHOUT.

		TOLERANCES UNLESS SPECIFIED		MARATHON ELECTRIC	DRAWN
NO.	REVISION	DEC.	INCHES		IPG 11/1/13
		.X	±.1	TITLE OUTLINE - 48 FRAME DC S56C - 145TC MOUNTING - TURBO	CHK
		.XX	±.03		APPD
		.XXX	±.005		SCALE 1=2
		.XXXX	±.0005		REF 031819
00	RELEASED			MAT'L.	FMF 056E17F2015
				FINISH	PREV
				CAD FILE 612-0139	SIZE B
				RFP	DRAWING NO. 612-0139
				DIST	REV. 00

THIS DRAWING IN DESIGN AND DETAIL IS OUR PROPERTY AND MUST NOT BE USED EXCEPT IN CONNECTION WITH OUR WORK ALL RIGHTS OF DESIGN AND INVENTION ARE RESERVED THIS IS AN ELECTRONICALLY GENERATED DOCUMENT - DO NOT SCALE THIS PRINT