

PRODUCT INFORMATION PACKET

marathon[®]
Motors

Model No: 056E17F2014
Catalog No: Z670
1.5,1800,TEFC.S56C.DC/24
Low Voltage



Regal and Marathon are trademarks of Regal Beloit Corporation or one of its affiliated companies.
©2018 Regal Beloit Corporation, All Rights Reserved. MC017097E

REGAL[®]



Nameplate Specifications

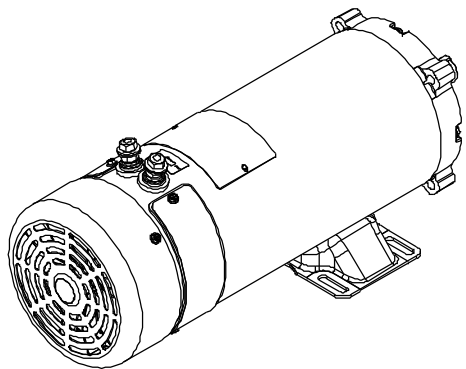
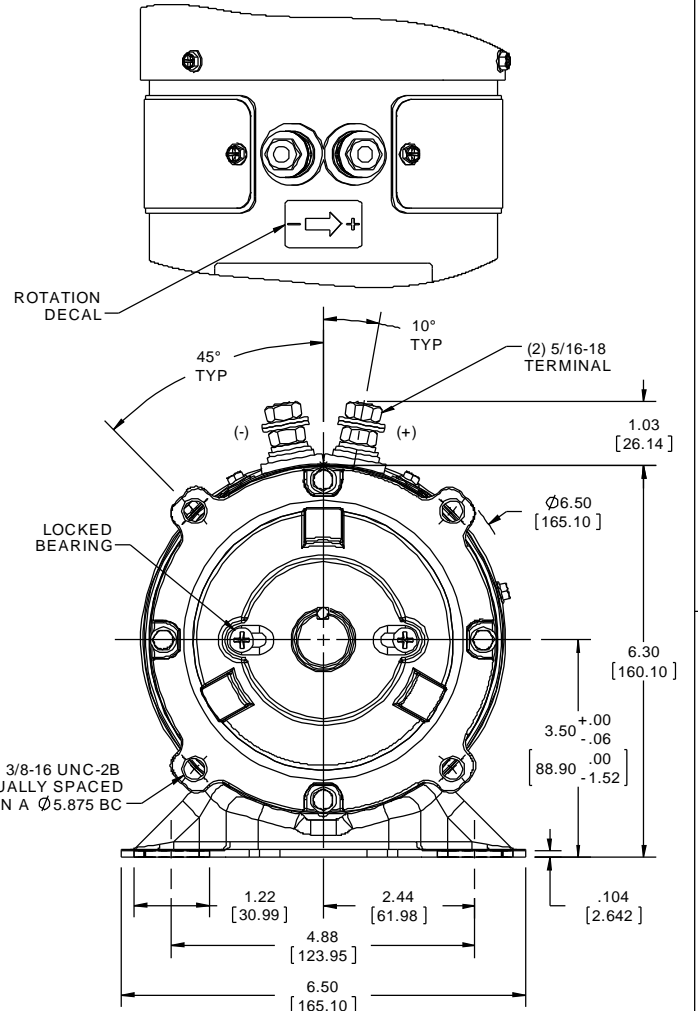
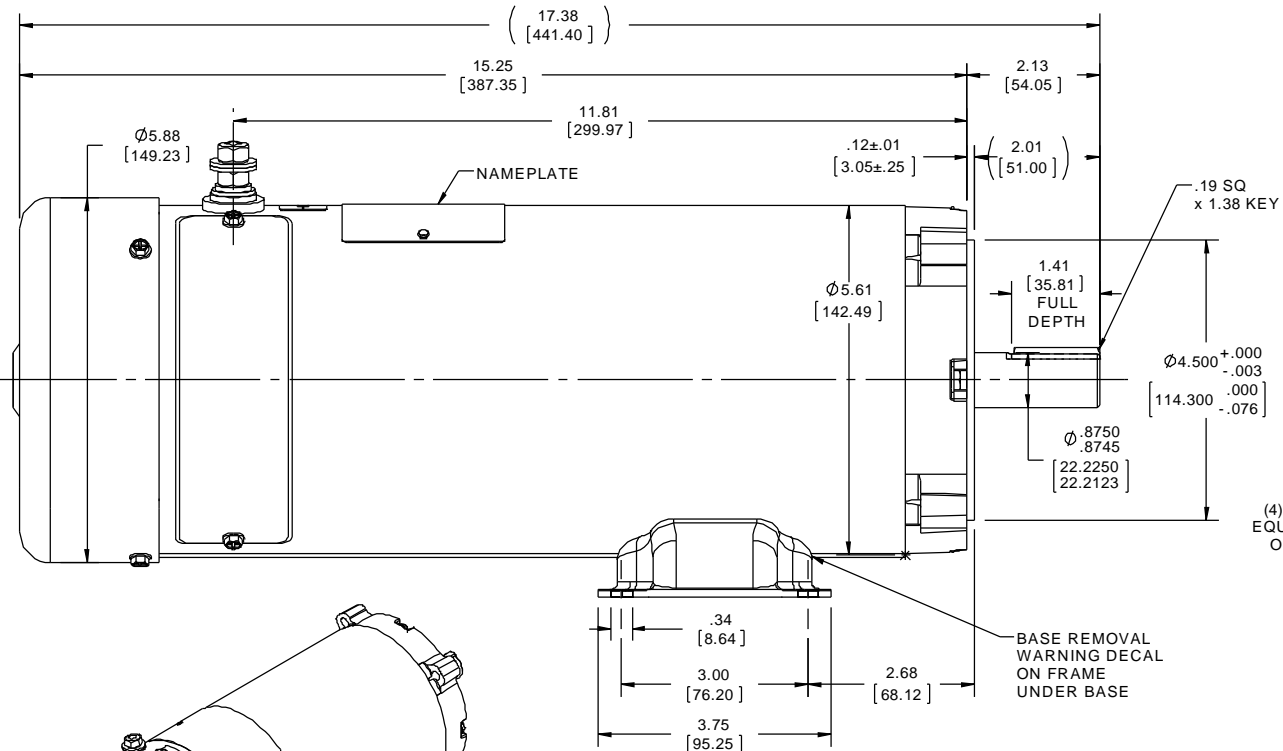
Output HP	1.50 Hp	Output KW	1.1 kW
Voltage	24 V	Current	60.0 A
Speed	1800 rpm	Service Factor	1
Efficiency	77.5 %	Duty	Continuous
Insulation Class	H	Frame	S56CZ
Enclosure	Totally Enclosed Fan Cooled	Overload Protector	No
Ambient Temperature	40 °C	Drive End Bearing Size	6205
Opp Drive End Bearing Size	6203	UL	Recognized
CSA	Y	CE	N

Technical Specifications

Rotation	Reversible	Mounting	Rigid C base
Shaft Diameter	0.875 in		
Outline Drawing	612-0134-000		

This is an uncontrolled document once printed or downloaded and is subject to change without notice. Date Created: 06/29/2018

- NOTES:
 1) MAXIMUM FACE RUNOUT .004 T.I.R.
 2) MAXIMUM PILOT ECCENTRICITY .004 T.I.R.
 3) PERMISSIBLE SHAFT RUNOUT .002 T.I.R.
 4) GASKETS THROUGHOUT.



DRAWING REVISION 00	REVISION BY I. GUERRA	DATE 10/23/13	TOLERANCES UNLESS OTHERWISE SPECIFIED:			DRAWN BY I. GUERRA	Regal Beloit America, Inc.
ECO	APPROVED BY	DATE	DEC.	INCH	mm	ANGLE	
ECO DESCRIPTION			.X	±0.1	[±2.5]	±0.5°	DESCRIPTION MODEL-DC 48 FRAME
<small>COPYRIGHT REGAL BELOIT AMERICA, INC. ALL RIGHTS RESERVED. PROPRIETARY AND CONFIDENTIAL INFORMATION. THIS DOCUMENT IS THE PROPERTY OF REGAL BELOIT AMERICA, INC. (OWNER) AND CONTAINS OWNER'S PROPRIETARY INFORMATION. ANY PERSON, CORPORATION OR OTHER FIRM RECEIVING IT IS DEEMED, BY RECEIVING IT, TO AGREE THAT IT, AND/OR ANY PART OF IT, SHALL NOT BE DISCLOSED TO ANY PERSON, CORPORATION OR OTHER ENTITY, DUPLICATED, AND/OR USED, EXCEPT AS EXPRESSLY APPROVED IN WRITING IN ADVANCE BY OWNER. THIS DOCUMENT SHALL BE RETURNED TO OWNER UPON REQUEST. IT MAY BE SUBJECT TO CERTAIN RESTRICTIONS UNDER APPLICABLE EXPORT CONTROL LAWS AND REGULATIONS.</small>			.XX	±0.03	[±0.76]	DATE 10/23/13	
			.XXX	±0.005	[±0.127]	APPROVED BY I. GUERRA	MATERIAL
			.XXXX	±0.0005	[±0.0127]	DATE	PROCESS/FINISH
			REMOVE BURRS & BREAK SHARP EDGES: .003/.015 [0.076/.381] CORNER FILLETS: .02 [5.1] MACHINED SURFACES: 125/3.2 INCH/mm √			THIRD ANGLE PROJECTION	SIZE B
			mm SHOWN IN [BRACKETS]			DRAWING NUMBER 612-0134	SHEET 1 OF 1