

PRODUCT INFORMATION PACKET

marathon[®]
Motors

Model No: 056E17F2010
Catalog No: Z668
1,1800,TEFC,56C,DC/12
Low Voltage



Regal and Marathon are trademarks of Regal Beloit Corporation or one of its affiliated companies.
©2018 Regal Beloit Corporation, All Rights Reserved. MC017097E

REGAL[®]



Nameplate Specifications

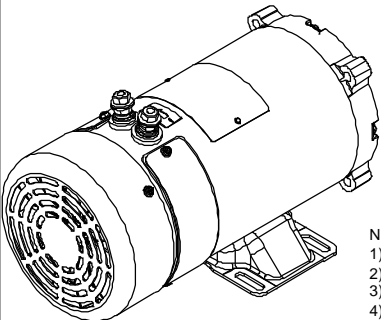
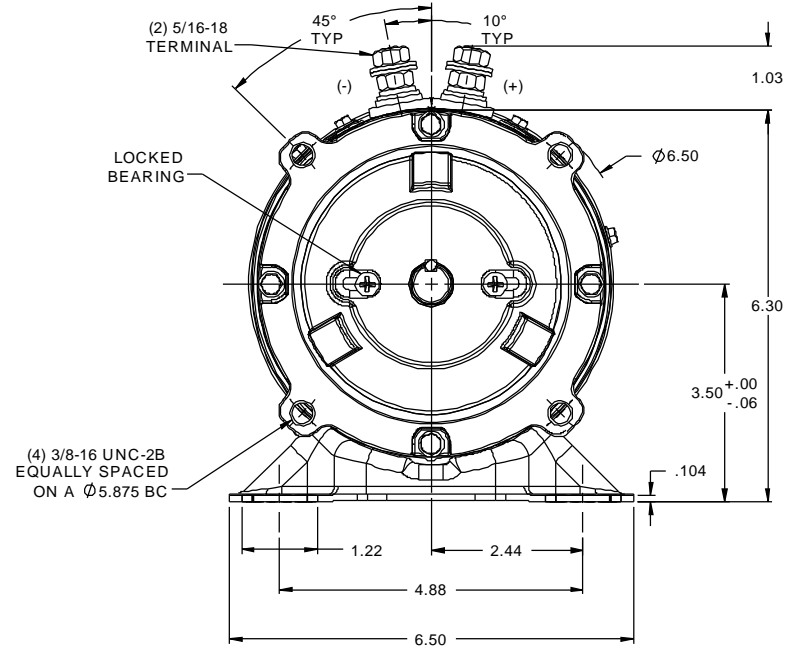
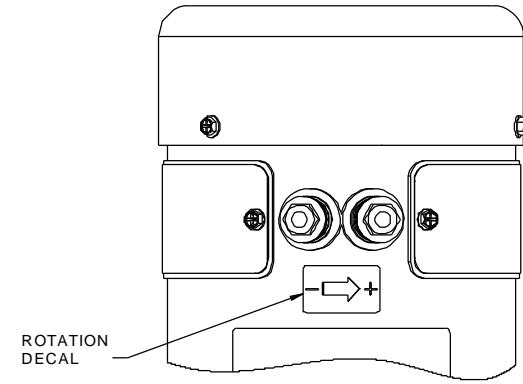
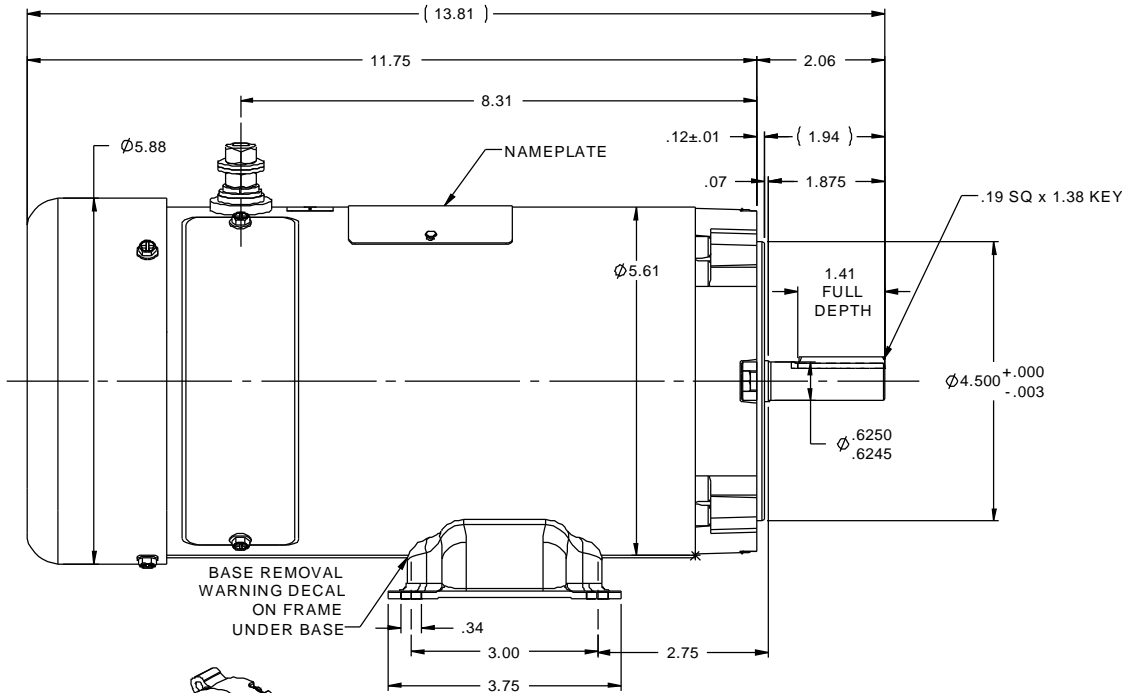
Output HP	1 Hp	Output KW	0.75 kW
Voltage	12 V	Current	80.0 A
Speed	1800 rpm	Service Factor	1
Efficiency	77.9 %	Duty	Continuous
Insulation Class	F	Frame	XS56C
Enclosure	Totally Enclosed Fan Cooled	Overload Protector	No
Ambient Temperature	40 °C	Drive End Bearing Size	6203
Opp Drive End Bearing Size	6203	UL	Recognized
CSA	Y	CE	N

Technical Specifications

Rotation	Reversible	Mounting	Rigid C base
Frame Length	8.50 in	Shaft Diameter	0.625 in
Outline Drawing	031671-850		

This is an uncontrolled document once printed or downloaded and is subject to change without notice. Date Created: 06/29/2018

RBC PROPRIETARY AND CONFIDENTIAL INFORMATION
 This document is the property of REGAL BELOIT CORPORATION ("RBC") including its subsidiaries and divisions and contains proprietary information of RBC. This document is loaned on the express condition that neither the information contained therein shall be disclosed to others without the express written consent of RBC, and that the information shall be used by the recipient only as approved expressly by RBC. This document shall be returned to RBC upon its request. This document may be subject to certain restrictions under U.S. export control laws and regulations.



- NOTES:
 1) MAXIMUM FACE RUNOUT .004 T.I.R.
 2) MAXIMUM PILOT ECCENTRICITY .004 T.I.R.
 3) PERMISSIBLE SHAFT RUNOUT .002 T.I.R.
 4) GASKETS THROUGHOUT.

				TOLERANCES UNLESS SPECIFIED		DRAWN RPB 2/22/02	
				DEC	INCHES	CHK	
02	ADDED EXTRA VIEW PER MFG REQUEST	JJM 9/16/2013	XX	±.03	TITLE OUTLINE		APPR BC 2/22/02
--	REDRAWN IN SOLIDWORKS	IPG 9/9/2011	XXX	±.005	48 FRAME DC		SCALE 1:2
01	RELOCATED FAN GUARD SCREWS, ECR 76120	BPW 4/24/02	SAD	±.0005	MAT'L		REF 031188
NO	REVISION	BY & DATE	CHK	ANG ±1/2°	FINISH		FMF 108994.00
				RFP	PREV	SIZE B	DRAWING NO 031671
				NETWORK FILE NAME 031671		PAGE	OF 02

