

# PRODUCT INFORMATION PACKET

**marathon**<sup>®</sup>  
Motors

Model No: 056E17F2009  
Catalog No: Z667  
3/4,1750,TEFC,56C,DC/24  
Low Voltage



Regal and Marathon are trademarks of Regal Beloit Corporation or one of its affiliated companies.

©2018 Regal Beloit Corporation, All Rights Reserved. MC017097E

**REGAL**<sup>®</sup>



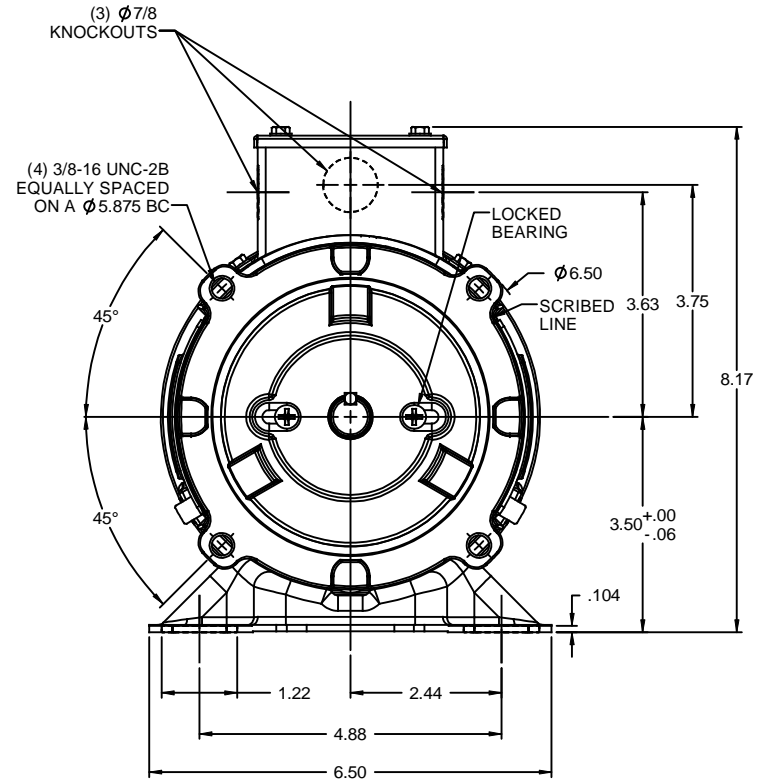
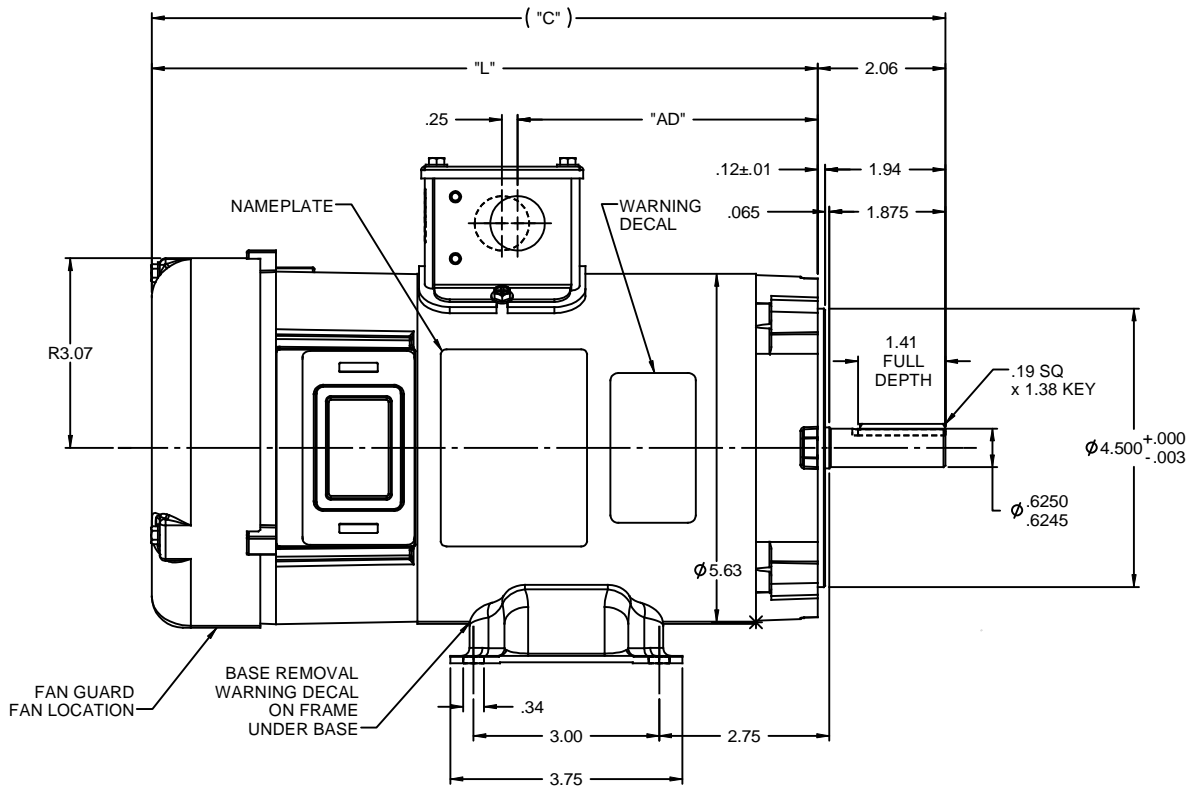
**Nameplate Specifications**

Output HP	<b>0.75 Hp</b>	Output KW	<b>0.56 kW</b>
Voltage	<b>24 V</b>	Current	<b>29.0 A</b>
Speed	<b>1800 rpm</b>	Service Factor	<b>1</b>
Efficiency	<b>77 %</b>	Duty	<b>Continuous</b>
Insulation Class	<b>F</b>	Frame	<b>S56C</b>
Enclosure	<b>Totally Enclosed Fan Cooled</b>	Overload Protector	<b>No</b>
Ambient Temperature	<b>40 °C</b>	Drive End Bearing Size	<b>6203</b>
Opp Drive End Bearing Size	<b>6203</b>	UL	<b>Recognized</b>
CSA	<b>Y</b>	CE	<b>N</b>

**Technical Specifications**

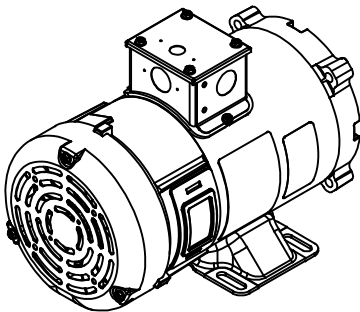
Rotation	<b>Reversible</b>	Mounting	<b>Rigid C base</b>
Frame Length	<b>5.47 in</b>	Shaft Diameter	<b>0.625 in</b>
Outline Drawing	<b>031905-547</b>		

**This is an uncontrolled document once printed or downloaded and is subject to change without notice. Date Created: 06/29/2018**



056E17F2009	12.82	10.76	4.85	24	3/4	1800
CATALOG No.	"C"	"L"	"AD"	VOLTS	H.P.	RPM

- NOTES:  
 1) MAXIMUM FACE RUNOUT .004 T.I.R.  
 2) MAXIMUM PILOT ECCENTRICITY .004 T.I.R.  
 3) PERMISSIBLE SHAFT RUNOUT .002 T.I.R.  
 4) GASKETS THROUGHOUT.



			TOLERANCES UNLESS SPECIFIED		<b>MARATHON ELECTRIC</b>		DRAWN IPG 6/9/08	
			DEC	INCHES			CHK BC 6/9/08	
			x	±.1	APPR		SCALE 1:2	
01	ADDED NOTE ABOUT FAN GUARD FLAT LOCATION. ISAAC 09-4813	IPG 12/10/2009	.XX	±.03	TITLE OUTLINE 48 FRAME DC - S56C MOUNT		REF 031891	
00	RELEASED: REF. 031891 & 031874	IPG 6/9/2008	BC	±.0005	MATL		FMF 056E17F2009	
NO	REVISION	BY & DATE	CHK	ANG ±1/2°	FINISH		PAGE OF	
THIRD ANGLE PROJECTION			RFP		PREV		SIZE	DRAWING NO
			NETWORK FILE NAME		B		031905	
							REV	01