

# PRODUCT INFORMATION PACKET

**marathon**<sup>®</sup>  
Motors

Model No: 056E17F2007  
Catalog No: Z614  
1 1/2, 1750, TEFC, 56C, DC/180  
SCR



Regal and Marathon are trademarks of Regal Beloit Corporation or one of its affiliated companies.  
©2018 Regal Beloit Corporation, All Rights Reserved. MC017097E

**REGAL**<sup>®</sup>



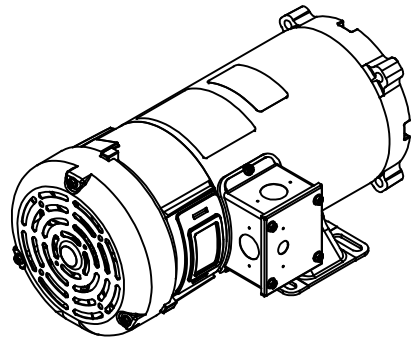
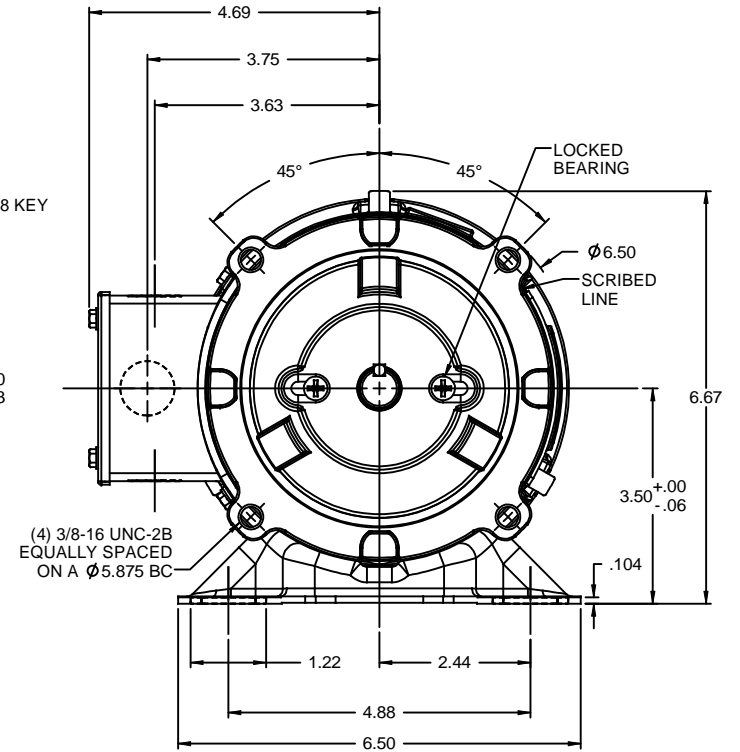
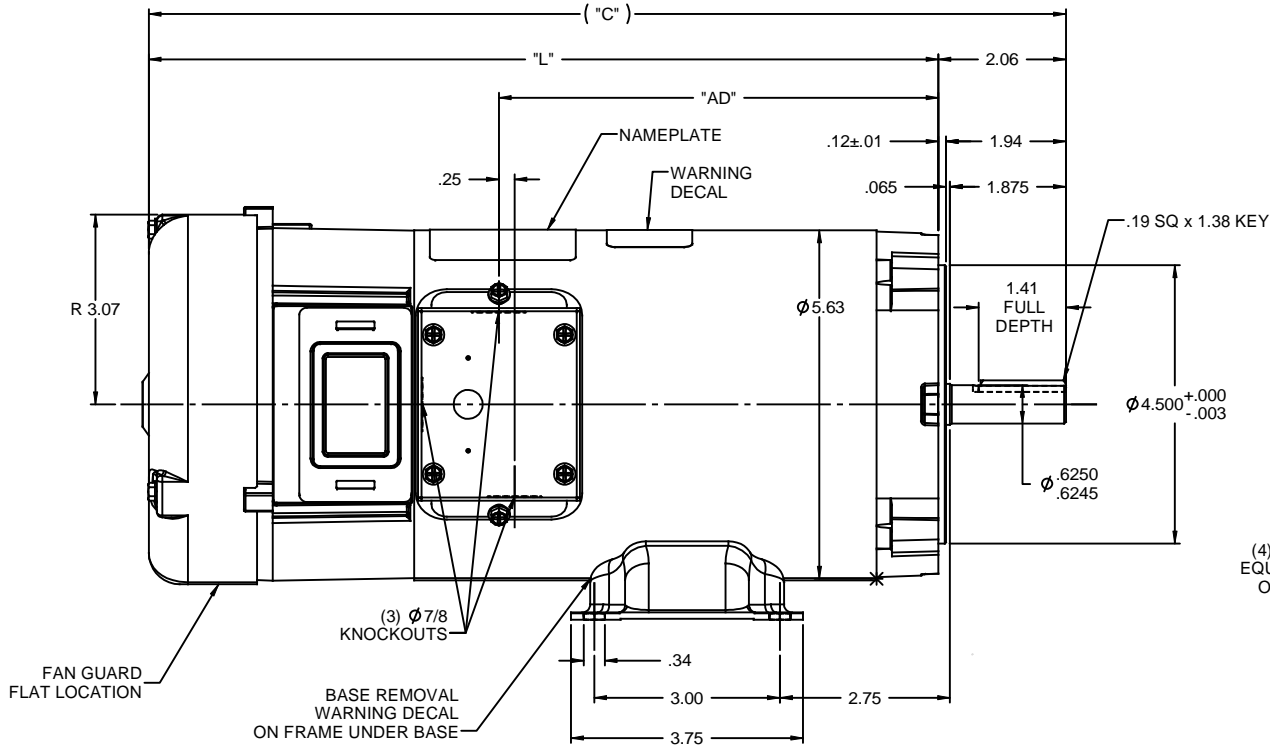
### Nameplate Specifications

Output HP	<b>1.50 Hp</b>	Output KW	<b>1.1 kW</b>
Voltage	<b>180 V</b>	Current	<b>7.6 A</b>
Speed	<b>1750 rpm</b>	Service Factor	<b>1</b>
Efficiency	<b>86.5 %</b>	Duty	<b>Continuous</b>
Insulation Class	<b>F</b>	Frame	<b>S56C</b>
Enclosure	<b>Totally Enclosed Fan Cooled</b>	Overload Protector	<b>No</b>
Ambient Temperature	<b>40 °C</b>	Drive End Bearing Size	<b>6203</b>
Opp Drive End Bearing Size	<b>6203</b>	UL	<b>Recognized</b>
CSA	<b>Y</b>	CE	<b>N</b>

### Technical Specifications

Rotation	<b>Reversible</b>	Mounting	<b>Rigid C base</b>
Frame Length	<b>9.47 in</b>	Shaft Diameter	<b>0.625 in</b>
Outline Drawing	<b>031903-947</b>		

**This is an uncontrolled document once printed or downloaded and is subject to change without notice. Date Created: 07/02/2018**



056E17F2007	16.82	14.76	9.10	180	1 1/2	1750
056E17F2006	14.82	12.76	7.10	180	1	1750
056E17F2005	14.82	12.76	7.10	90	1	1750
CATALOG No.	"C"	"L"	"AD"	VOLTS	H.P.	RPM

- NOTES:  
 1) MAXIMUM FACE RUNOUT .004 T.I.R.  
 2) MAXIMUM PILOT ECCENTRICITY .004 T.I.R.  
 3) PERMISSIBLE SHAFT RUNOUT .002 T.I.R.  
 4) GASKETS THROUGHOUT

				TOLERANCES UNLESS SPECIFIED		DRAWN	
02	ADDED NOTE ABOUT FAN GUARD FLAT LOCATION. ISAAC	IPG	12/9/2009	DEC	INCHES	IPG 5/9/08	
	09-4813			X	±.1	CHK	BC 5/9/08
01	CAT. #: 056E17F2007: "C" WAS 17.32, "L" WAS 15.26, "AD" WAS 9.60. ISAAC	IPG	5/14/2009	SK	XX ±.03	SCALE 1:2	
	RELEASED	IPG	5/9/2008	BC	XXX ±.005	REF 031879	
				BC	XXX ±.0005	FMF 056E17F2005.00	
NO	REVISION	BY & DATE	CHK	ANG	±1/2"	PAGE OF	
	THIRD ANGLE PROJECTION		RFP	PREV		SIZE	DRAWING NO
			NETWORK FILE NAME			B	031903
							REV
							02