

PRODUCT INFORMATION PACKET

marathon[®]
Motors

Model No: 056E17F2006
Catalog No: Z613
1,1800,TEFC,56C,DC/180
SCR



Regal and Marathon are trademarks of Regal Beloit Corporation or one of its affiliated companies.
©2018 Regal Beloit Corporation, All Rights Reserved. MC017097E

REGAL[®]



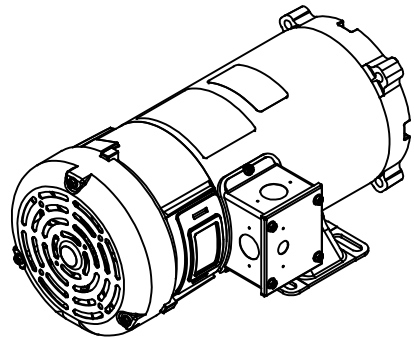
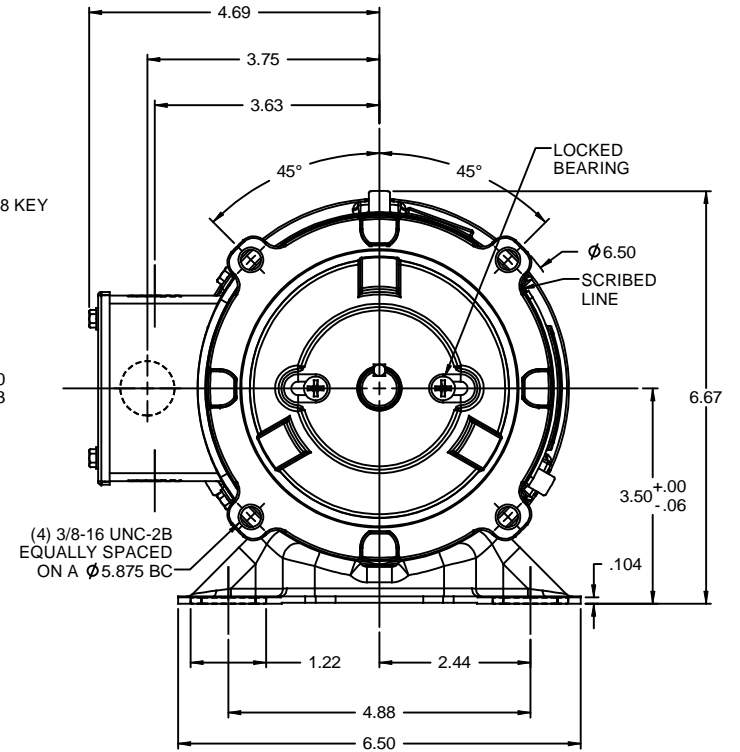
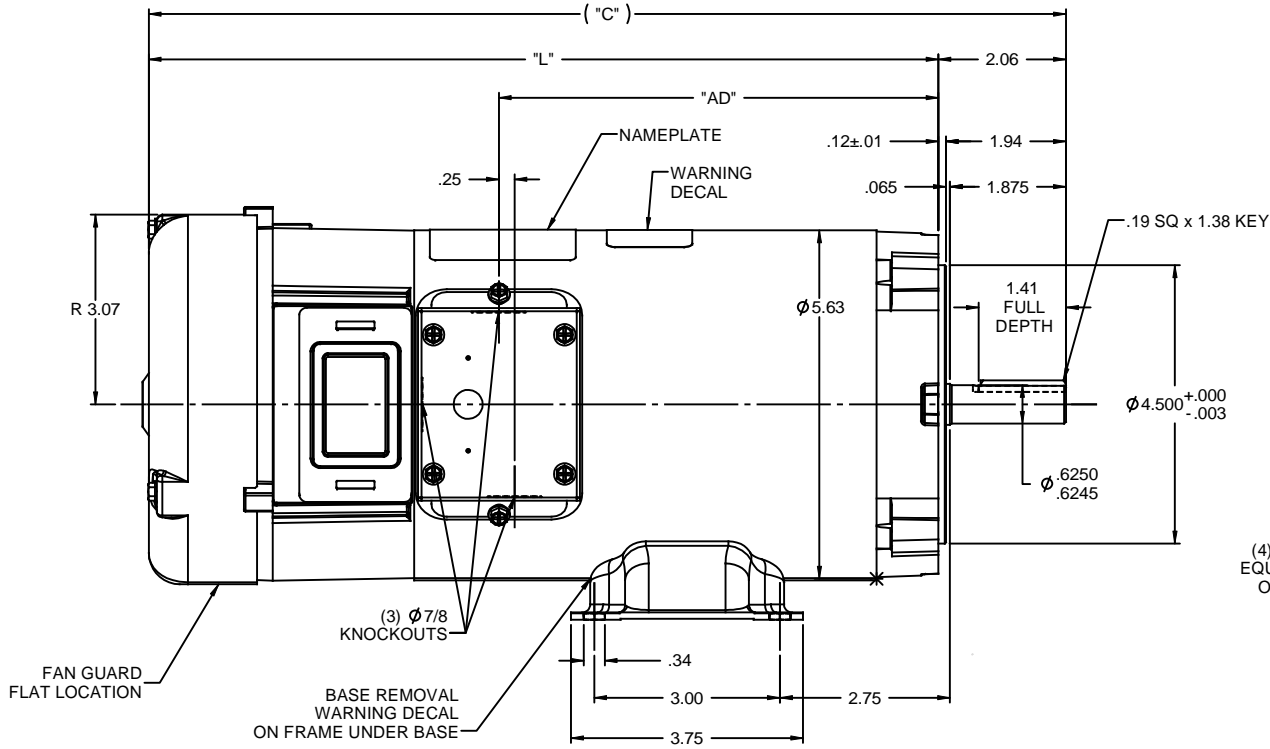
Nameplate Specifications

Output HP	1 Hp	Output KW	0.75 kW
Voltage	180 V	Current	5.0 A
Speed	1750 rpm	Service Factor	1
Efficiency	85 %	Duty	Continuous
Insulation Class	F	Frame	S56C
Enclosure	Totally Enclosed Fan Cooled	Overload Protector	No
Ambient Temperature	40 °C	Drive End Bearing Size	6203
Opp Drive End Bearing Size	6203	UL	Recognized
CSA	Y	CE	N

Technical Specifications

Rotation	Counterclockwise Lead End	Mounting	Rigid C base
Overall Length	14.82 in	Frame Length	4.70 in
Shaft Diameter	0.625 in		
Outline Drawing	031903-747		

This is an uncontrolled document once printed or downloaded and is subject to change without notice. Date Created: 06/29/2018



056E17F2007	16.82	14.76	9.10	180	1 1/2	1750
056E17F2006	14.82	12.76	7.10	180	1	1750
056E17F2005	14.82	12.76	7.10	90	1	1750
CATALOG No.	"C"	"L"	"AD"	VOLTS	H.P.	RPM

- NOTES:
 1) MAXIMUM FACE RUNOUT .004 T.I.R.
 2) MAXIMUM PILOT ECCENTRICITY .004 T.I.R.
 3) PERMISSIBLE SHAFT RUNOUT .002 T.I.R.
 4) GASKETS THROUGHOUT

				TOLERANCES UNLESS SPECIFIED		DRAWN		IPG 5/9/08	
02	ADDED NOTE ABOUT FAN GUARD FLAT LOCATION. ISAAC	IPG	12/9/2009	DEC	INCHES	MARATHON ELECTRIC		CHK	BC 5/9/08
	09-4813			X	±.1			APPR	
01	CAT. #: 056E17F2007: "C" WAS 17.32, "L" WAS 15.26, "AD" WAS 9.60. ISAAC	IPG	5/14/2009	SK	XX ±.03	TITLE OUTLINE		SCALE	1:2
	RELEASED	IPG	5/9/2008	BC	XXX ±.005	48 FRAME DC - S56C MOUNT		REF	031879
				BC	XXX ±.0005	MATL		FMF	056E17F2005.00
NO	REVISION	BY & DATE	CHK	ANG	±1/2"	FINISH		PAGE	OF
	THIRD ANGLE PROJECTION		RFP			PREV		SIZE	DRAWING NO
						NETWORK FILE NAME		B	031903
								REV	02