

# PRODUCT INFORMATION PACKET

**marathon**<sup>®</sup>  
Motors

Model No: 056E17F1008  
Catalog No: Z611  
3/4,1750,TEFC,56C,DC/180  
SCR



Regal and Marathon are trademarks of Regal Beloit Corporation or one of its affiliated companies.  
©2018 Regal Beloit Corporation, All Rights Reserved. MC017097E

**REGAL**<sup>®</sup>



**Nameplate Specifications**

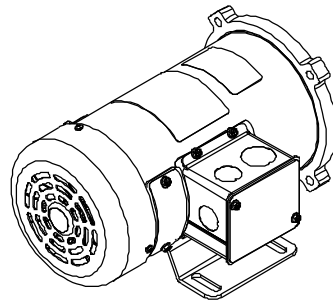
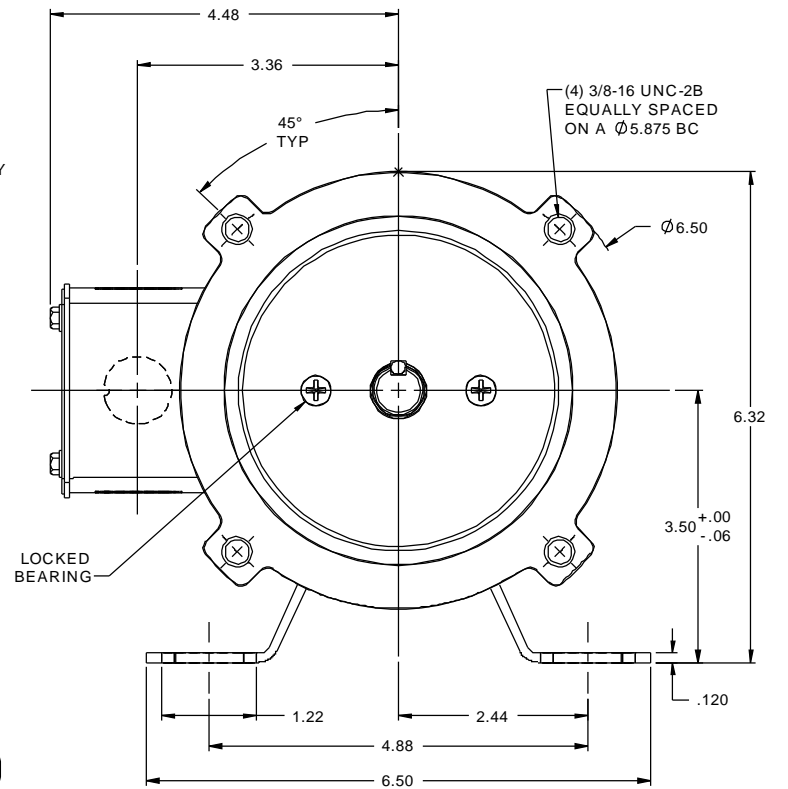
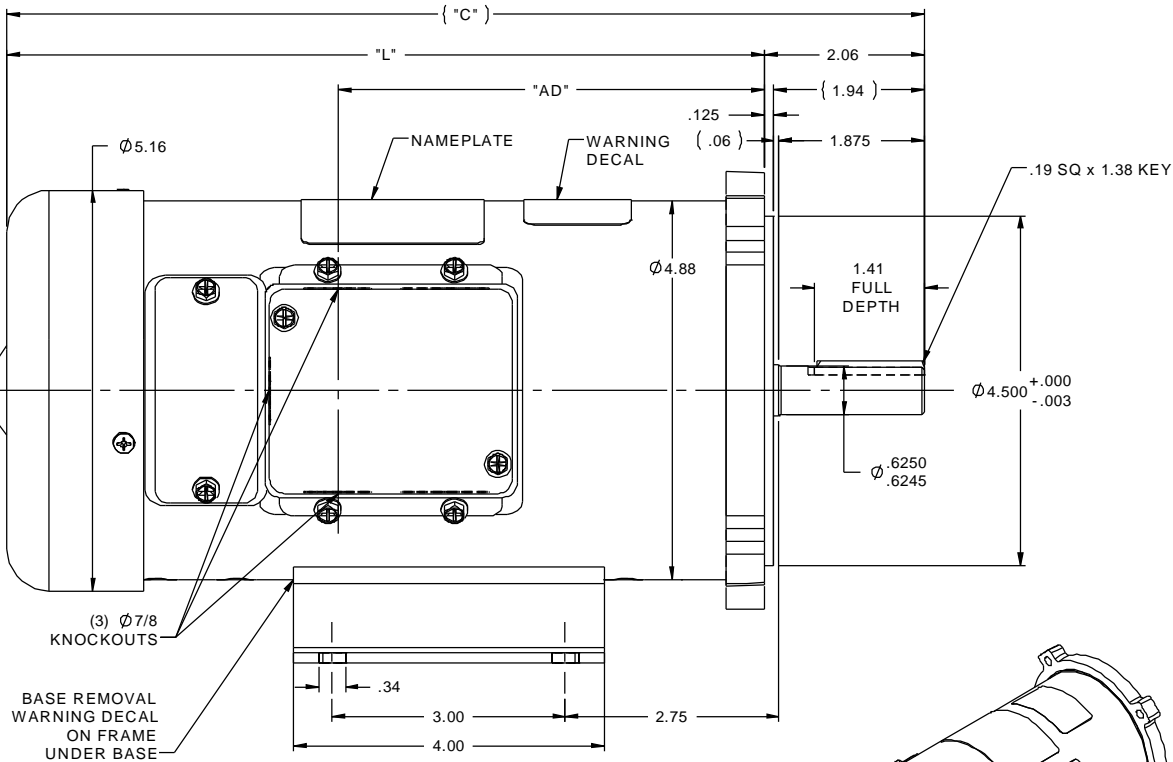
Output HP	<b>0.75 Hp</b>	Output KW	<b>0.56 kW</b>
Voltage	<b>180 V</b>	Current	<b>3.8 A</b>
Speed	<b>1750 rpm</b>	Service Factor	<b>1</b>
Efficiency	<b>82.1 %</b>	Duty	<b>Continuous</b>
Insulation Class	<b>F</b>	Frame	<b>US56C</b>
Enclosure	<b>Totally Enclosed Fan Cooled</b>	Overload Protector	<b>No</b>
Ambient Temperature	<b>40 °C</b>	Drive End Bearing Size	<b>6203</b>
Opp Drive End Bearing Size	<b>6203</b>	UL	<b>Recognized</b>
CSA	<b>Y</b>	CE	<b>N</b>

**Technical Specifications**

Rotation	<b>Reversible</b>	Mounting	<b>Rigid C base</b>
Frame Length	<b>9.50 in</b>	Shaft Diameter	<b>0.625 in</b>
Outline Drawing	<b>027811-950</b>		

**This is an uncontrolled document once printed or downloaded and is subject to change without notice. Date Created: 06/29/2018**

RBC PROPRIETARY AND CONFIDENTIAL INFORMATION  
 This document is the property of REGAL BELOIT CORPORATION ("RBC") including its subsidiaries and divisions and contains proprietary information of RBC. This document is loaned on the express condition that neither it nor the information contained therein shall be disclosed to others without the express written consent of RBC, and that the information shall be used by the recipient only as approved expressly by RBC. This document shall be returned to RBC upon its request. This document may be subject to certain restrictions under U.S. export control laws and regulations.



- NOTES:  
 1) MAXIMUM FACE RUNOUT .004 T.I.R.  
 2) MAXIMUM PILOT ECCENTRICITY .004 T.I.R.  
 3) PERMISSIBLE SHAFT RUNOUT .002 T.I.R.  
 4) GASKETS THROUGHOUT.

056E17F1008	13.81	11.75	7.49	180	3/4	1750
056E17F1007	13.81	11.75	7.49	90	3/4	1750
056E17F1006	11.81	9.75	5.49	180	1/2	1750
056E17F1005	11.81	9.75	5.49	90	1/2	1750
056E17F1004	11.31	9.25	4.99	180	1/3	1750
056E17F1003	11.31	9.25	4.99	90	1/3	1750
056E17F1002	11.31	9.25	4.99	180	1/4	1750
056E17F1001	10.81	8.75	4.49	90	1/4	1750
CATALOG No.	"C"	"L"	"AD"	VOLTS	H.P.	RPM

TOLERANCES UNLESS SPECIFIED		DRAWING NO		REV	
DEC	INCHES	DRAWING NO		REV	
X	±.1	027811		03	
03	±.03	42 FRAME DC - SS56C MOUNT		03	
056E17F1004 PRODUCTION RELEASE (MU112258)	IPG 2/21/2013	027811		03	
02	±.005	027811		03	
ADDED FAN GUARD HOLE PLUG, ISAAC 10-4174	IPG 10/11/10	027811		03	
NO	±.0005	027811		03	
REVISION	BY & DATE	027811		03	
THIRD ANGLE PROJECTION	CHK LANG ±1/2°	027811		03	
	RFP	027811		03	
	PREV	027811		03	
	FINISH	027811		03	
	NETWORK FILE NAME	027811		03	



DRAWN RPB 2/15/02  
 CHK  
 APPR  
 SCALE 5:8  
 REF 027620  
 FMF 098303.00  
 PAGE OF