

# PRODUCT INFORMATION PACKET

**marathon**<sup>®</sup>  
Motors

Model No: 056E17F1003  
Catalog No: Z604  
1/3,1800,TEFC,56C,DC/90  
SCR



Regal and Marathon are trademarks of Regal Beloit Corporation or one of its affiliated companies.  
©2018 Regal Beloit Corporation, All Rights Reserved. MC017097E

**REGAL**<sup>®</sup>



**Nameplate Specifications**

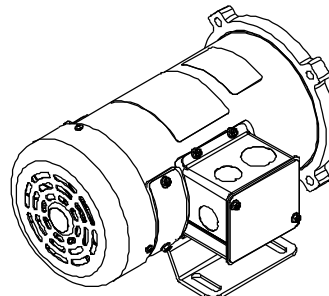
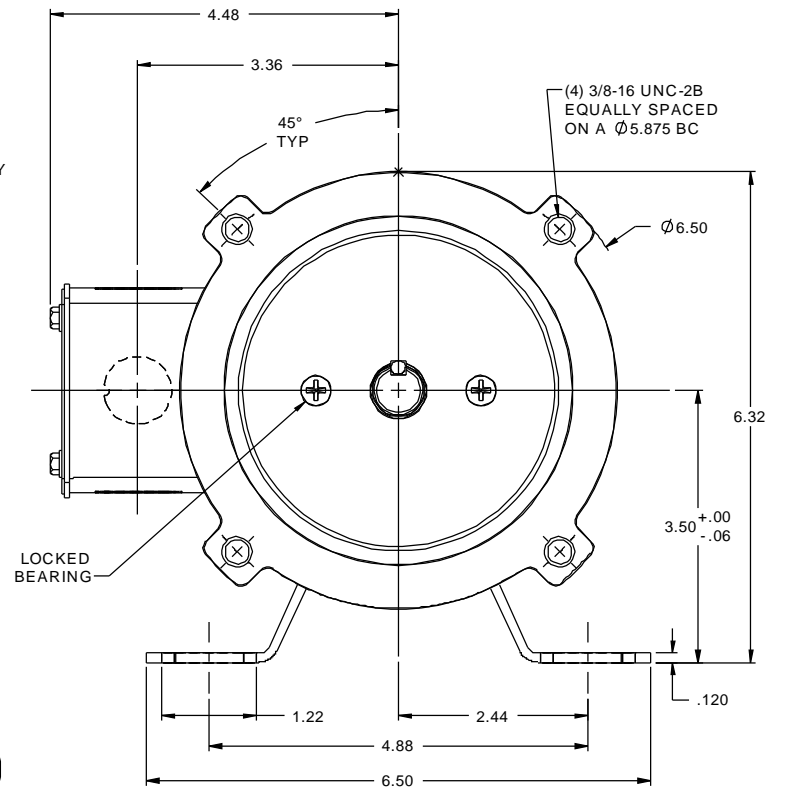
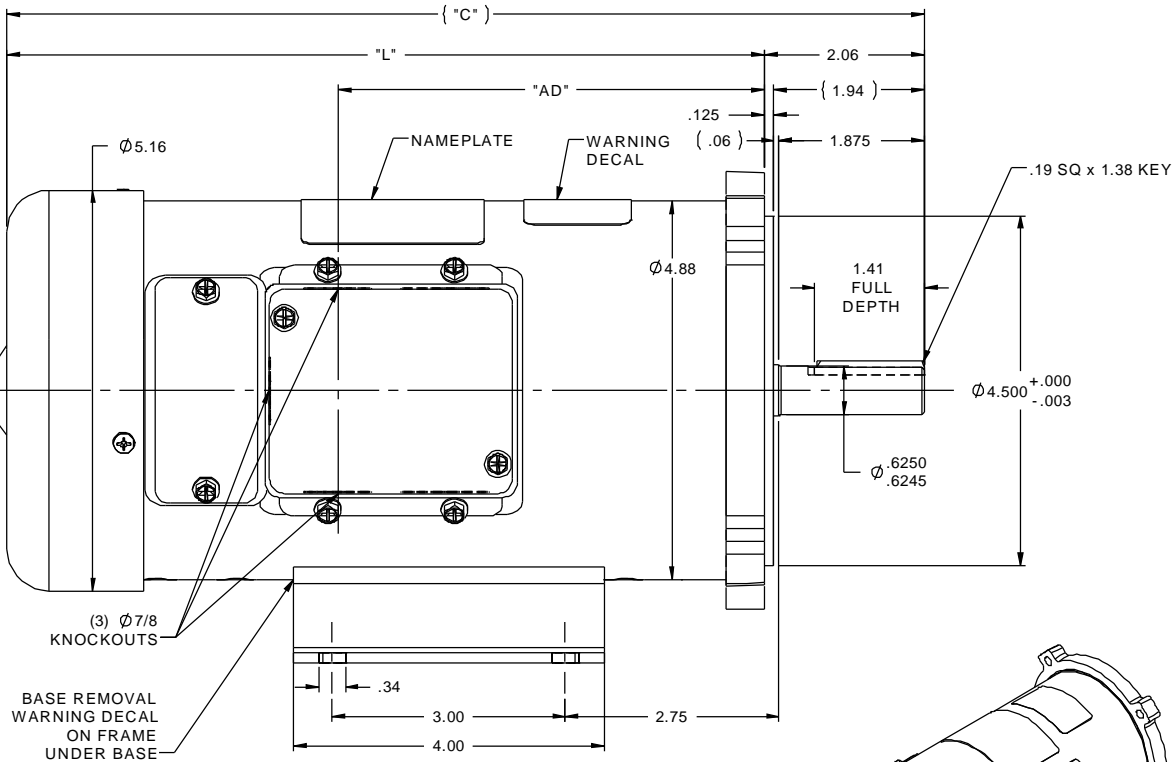
Output HP	<b>0.33 Hp</b>	Output KW	<b>0.25 kW</b>
Voltage	<b>90 V</b>	Current	<b>3.5 A</b>
Speed	<b>1750 rpm</b>	Service Factor	<b>1</b>
Efficiency	<b>82 %</b>	Duty	<b>Continuous</b>
Insulation Class	<b>F</b>	Frame	<b>MSS56C</b>
Enclosure	<b>Totally Enclosed Fan Cooled</b>	Overload Protector	<b>No</b>
Ambient Temperature	<b>40 °C</b>	Drive End Bearing Size	<b>6203</b>
Opp Drive End Bearing Size	<b>6203</b>	UL	<b>Recognized</b>
CSA	<b>Y</b>	CE	<b>N</b>

**Technical Specifications**

Rotation	<b>Counterclockwise Lead End</b>	Mounting	<b>Rigid C base</b>
Frame Length	<b>7.00 in</b>	Shaft Diameter	<b>0.625 in</b>
Outline Drawing	<b>027811-700</b>		

**This is an uncontrolled document once printed or downloaded and is subject to change without notice. Date Created: 07/02/2018**

RBC PROPRIETARY AND CONFIDENTIAL INFORMATION  
 This document is the property of REGAL BELOIT CORPORATION ("RBC") including its subsidiaries and divisions and contains proprietary information of RBC. This document is loaned on the express condition that neither it nor the information contained therein shall be disclosed to others without the express written consent of RBC, and that the information shall be used by the recipient only as approved expressly by RBC. This document shall be returned to RBC upon its request. This document may be subject to certain restrictions under U.S. export control laws and regulations.



- NOTES:  
 1) MAXIMUM FACE RUNOUT .004 T.I.R.  
 2) MAXIMUM PILOT ECCENTRICITY .004 T.I.R.  
 3) PERMISSIBLE SHAFT RUNOUT .002 T.I.R.  
 4) GASKETS THROUGHOUT.

056E17F1008	13.81	11.75	7.49	180	3/4	1750
056E17F1007	13.81	11.75	7.49	90	3/4	1750
056E17F1006	11.81	9.75	5.49	180	1/2	1750
056E17F1005	11.81	9.75	5.49	90	1/2	1750
056E17F1004	11.31	9.25	4.99	180	1/3	1750
056E17F1003	11.31	9.25	4.99	90	1/3	1750
056E17F1002	11.31	9.25	4.99	180	1/4	1750
056E17F1001	10.81	8.75	4.49	90	1/4	1750
CATALOG No.	"C"	"L"	"AD"	VOLTS	H.P.	RPM

		TOLERANCES UNLESS SPECIFIED		DRAWN RPB 2/15/02	
		DEC	INCHES	CHK	APPR
		X	±.1		
03	REDRAWN IN SOLIDWORKS, UPDATED TABLE, PER 056E17F1004 PRODUCTION RELEASE (MU112258)	IPG	2/21/2013	XX	±.03
				XXX	±.005
02	ADDED FAN GUARD HOLE PLUG, ISAAC 10-4174	IPG	10/11/10	XXXX	±.0005
NO	REVISION	BY & DATE	CHK LANG ±1/2°	FINISH	
			RFP	PREV	
			NETWORK FILE NAME 027811	SIZE B	DRAWING NO 027811
				PAGE	OF
				REV	03

