

PRODUCT INFORMATION PACKET

marathon[®]
Motors

Model No: 056E17F1002
Catalog No: Z603
1/4, 1800, TEFC, 56C, DC/180
SCR



Regal and Marathon are trademarks of Regal Beloit Corporation or one of its affiliated companies.
©2018 Regal Beloit Corporation, All Rights Reserved. MC017097E

REGAL[®]



Nameplate Specifications

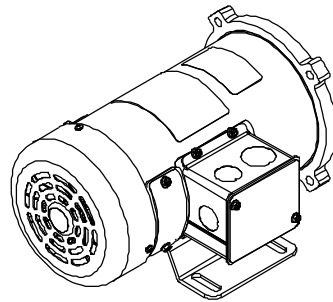
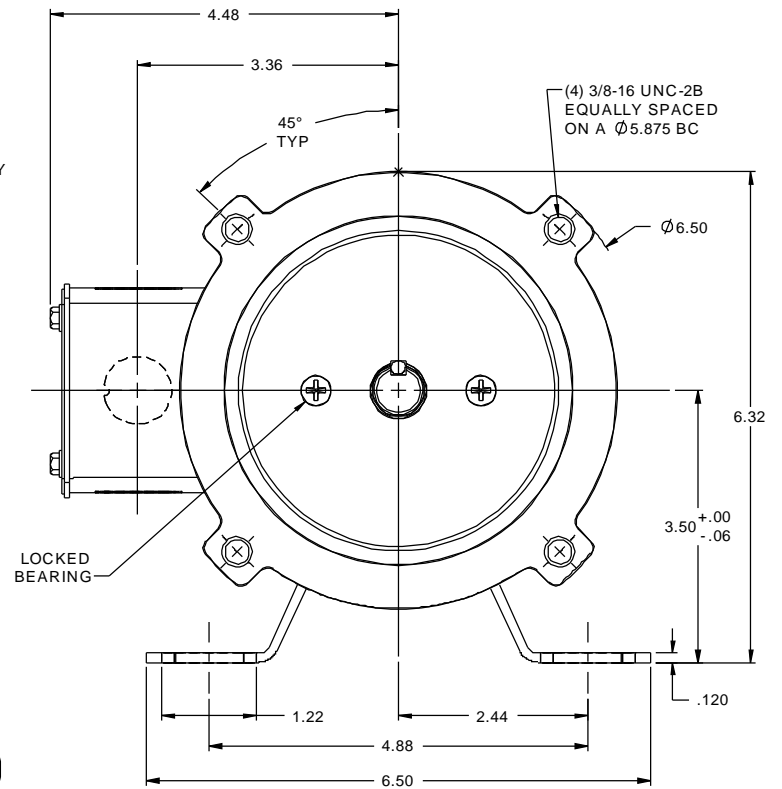
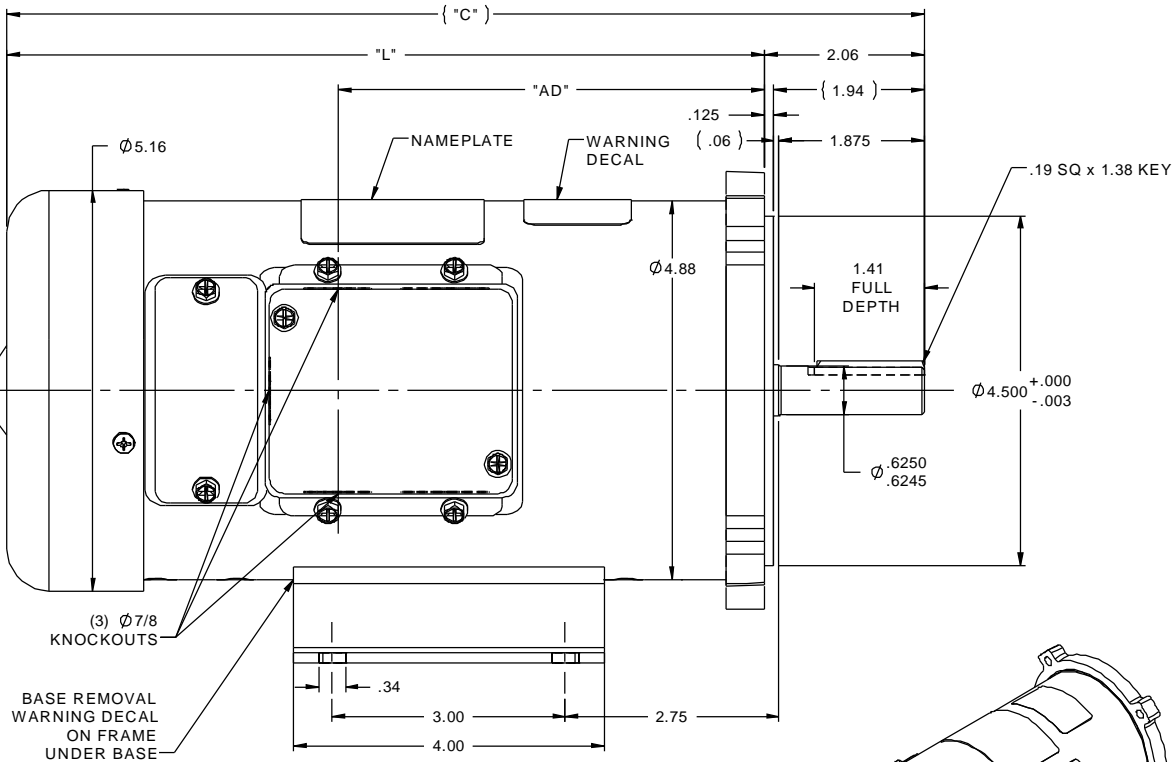
Output HP	0.25 Hp	Output KW	0.19 kW
Voltage	180 V	Current	1.4 A
Speed	1750 rpm	Service Factor	1
Efficiency	77.1 %	Duty	Continuous
Insulation Class	F	Frame	MSS56C
Enclosure	Totally Enclosed Fan Cooled	Overload Protector	No
Ambient Temperature	40 °C	Drive End Bearing Size	6203
Opp Drive End Bearing Size	6203	UL	Recognized
CSA	Y	CE	N

Technical Specifications

Rotation	Counterclockwise Lead End	Mounting	Rigid C base
Frame Length	7.00 in	Shaft Diameter	0.625 in
Outline Drawing	027811-700		

This is an uncontrolled document once printed or downloaded and is subject to change without notice. Date Created: 06/29/2018

RBC PROPRIETARY AND CONFIDENTIAL INFORMATION
 This document is the property of REGAL BELOIT CORPORATION ("RBC") including its subsidiaries and divisions and contains proprietary information of RBC. This document is loaned on the express condition that neither it nor the information contained therein shall be disclosed to others without the express written consent of RBC, and that the information shall be used by the recipient only as approved expressly by RBC. This document shall be returned to RBC upon its request. This document may be subject to certain restrictions under U.S. export control laws and regulations.



- NOTES:
 1) MAXIMUM FACE RUNOUT .004 T.I.R.
 2) MAXIMUM PILOT ECCENTRICITY .004 T.I.R.
 3) PERMISSIBLE SHAFT RUNOUT .002 T.I.R.
 4) GASKETS THROUGHOUT.

056E17F1008	13.81	11.75	7.49	180	3/4	1750
056E17F1007	13.81	11.75	7.49	90	3/4	1750
056E17F1006	11.81	9.75	5.49	180	1/2	1750
056E17F1005	11.81	9.75	5.49	90	1/2	1750
056E17F1004	11.31	9.25	4.99	180	1/3	1750
056E17F1003	11.31	9.25	4.99	90	1/3	1750
056E17F1002	11.31	9.25	4.99	180	1/4	1750
056E17F1001	10.81	8.75	4.49	90	1/4	1750
CATALOG No.	"C"	"L"	"AD"	VOLTS	H.P.	RPM

TOLERANCES UNLESS SPECIFIED		DRAWING NO		REV	
DEC	INCHES	DRAWING NO		REV	
X	±.1	027811		03	
03	±.03	TITLE OUTLINE		SCALE 5:8	
	±.005	42 FRAME DC - SS56C MOUNT		REF 027620	
02	±.0005	MATL		FMF 098303.00	
NO	±1/2°	FINISH		PAGE OF	
REVISION		BY & DATE		RFP	
THIRD ANGLE PROJECTION		NETWORK FILE NAME 027811		DRAWING NO 027811	

