

# PRODUCT INFORMATION PACKET

**marathon**<sup>®</sup>  
Motors

Model No: 056C34G5310  
Catalog No: G658  
1,3450,EPFC,56,1/60/115/208-230  
Explosion Proof



Regal and Marathon are trademarks of Regal Beloit Corporation or one of its affiliated companies.  
©2018 Regal Beloit Corporation, All Rights Reserved. MC017097E

**REGAL**<sup>®</sup>

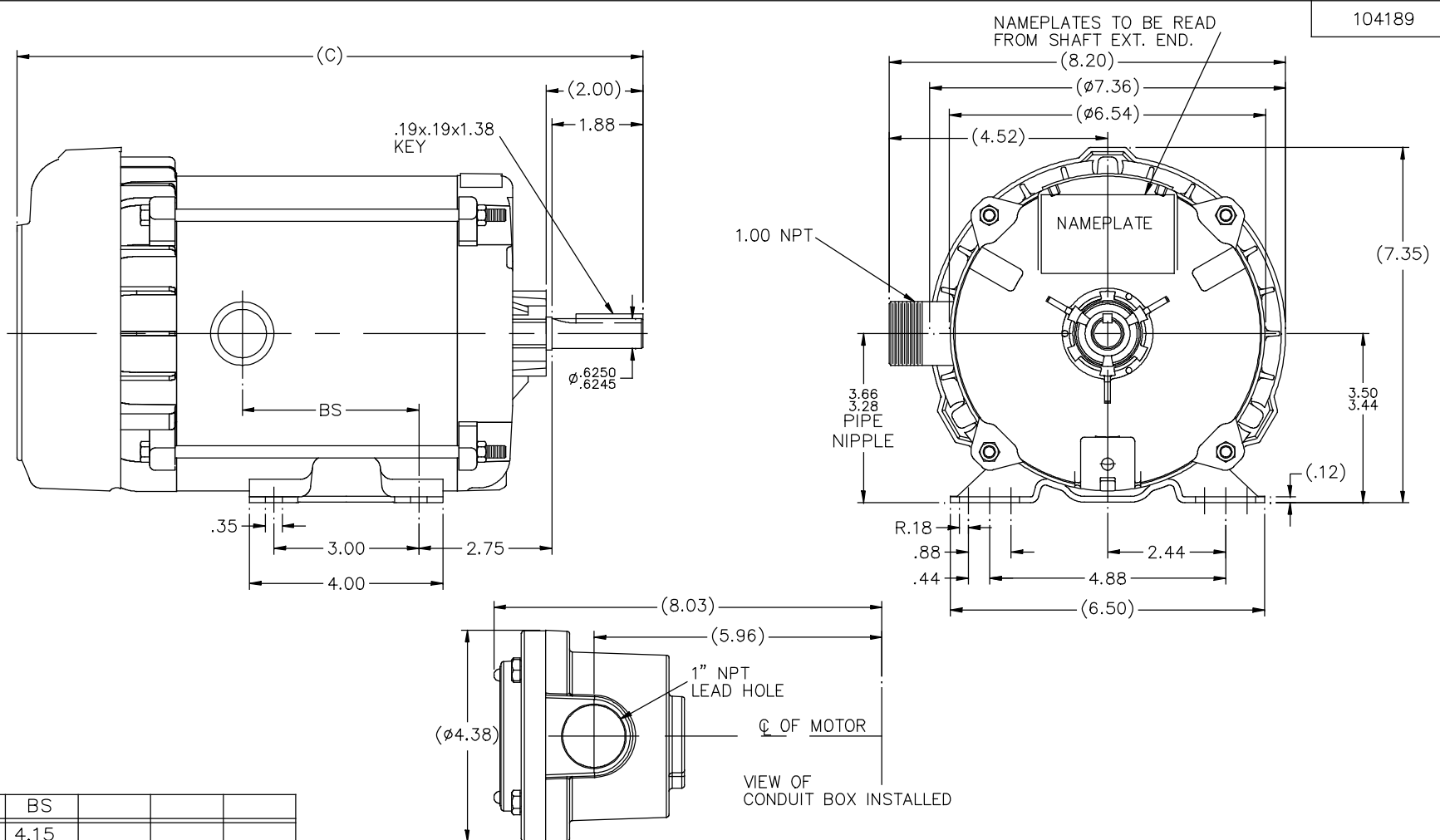
### Nameplate Specifications

|                            |                                   |                        |                       |
|----------------------------|-----------------------------------|------------------------|-----------------------|
| Output HP                  | <b>1 Hp</b>                       | Output KW              | <b>0.75 kW</b>        |
| Frequency                  | <b>60 Hz</b>                      | Voltage                | <b>115/208-230 V</b>  |
| Current                    | <b>12.4/6.7-6.2 A</b>             | Speed                  | <b>3450 rpm</b>       |
| Service Factor             | <b>1</b>                          | Phase                  | <b>1</b>              |
| Efficiency                 | <b>72 %</b>                       | Duty                   | <b>Continuous</b>     |
| Insulation Class           | <b>F</b>                          | Design Code            | <b>NO DESIGN CODE</b> |
| KVA Code                   | <b>K</b>                          | Frame                  | <b>56</b>             |
| Enclosure                  | <b>Explosion Proof Fan cooled</b> | Overload Protector     | <b>Automatic</b>      |
| Ambient Temperature        | <b>40 °C</b>                      | Drive End Bearing Size | <b>6203</b>           |
| Opp Drive End Bearing Size | <b>6203</b>                       | UL                     | <b>Recognized</b>     |
| CSA                        | <b>N</b>                          | CE                     | <b>N</b>              |
| IP Code                    | <b>54</b>                         |                        |                       |

### Technical Specifications

|                       |                                      |                       |                                   |
|-----------------------|--------------------------------------|-----------------------|-----------------------------------|
| Electrical Type       | <b>Capacitor Start Induction Run</b> | Starting Method       | <b>Across The Line</b>            |
| Poles                 | <b>2</b>                             | Rotation              | <b>Selective Counterclockwise</b> |
| Mounting              | <b>Rigid base</b>                    | Motor Orientation     | <b>Horizontal</b>                 |
| Drive End Bearing     | <b>Ball</b>                          | Opp Drive End Bearing | <b>Ball</b>                       |
| Frame Material        | <b>Rolled Steel</b>                  | Shaft Type            | <b>NEMA 56</b>                    |
| Overall Length        | <b>14.44 in</b>                      | Frame Length          | <b>7.31 in</b>                    |
| Shaft Diameter        | <b>0.625 in</b>                      | Shaft Extension       | <b>2 in</b>                       |
| Assembly/Box Mounting | <b>F1 Only</b>                       |                       |                                   |
| Outline Drawing       | <b>B-104189-731</b>                  | Connection Diagram    | <b>102005-84</b>                  |

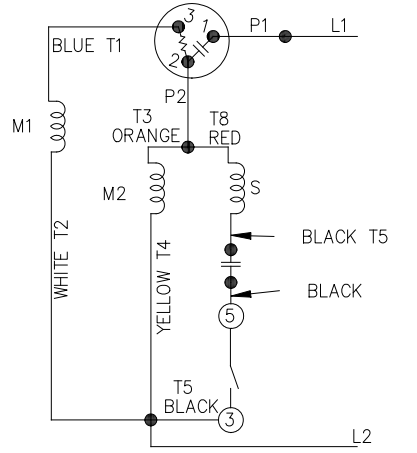
**This is an uncontrolled document once printed or downloaded and is subject to change without notice. Date Created: 07/02/2018**



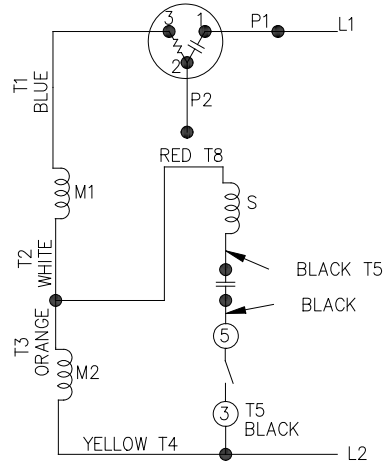
| DASH | (C)   | BS   |  |  |  |
|------|-------|------|--|--|--|
| 631  | 13.44 | 4.15 |  |  |  |
| 681  | 13.94 | 4.65 |  |  |  |
| 731  | 14.44 | 5.15 |  |  |  |
| 781  | 14.94 | 5.65 |  |  |  |
| 831  | 15.44 | 6.15 |  |  |  |
| 881  | 15.94 | 6.65 |  |  |  |
| 931  | 16.44 | 7.15 |  |  |  |
| 981  | 16.94 | 7.65 |  |  |  |

|  |  |                | TOLERANCES UNLESS SPECIFIED |                 | REGAL™ Regal Beloit America, Inc. |  | DRAWN MH 11-20-1996 |               |      |
|--|--|----------------|-----------------------------|-----------------|-----------------------------------|--|---------------------|---------------|------|
|  |  |                | DEC.                        | INCHES          |                                   |  | CHK                 | ML 12-02-1996 |      |
| 4  | COND. BOX INSTALLED VIEW UPDATED PER ECR-0044571 | UD 10/15/13    | ST                          | .X              | ±.1                               |  | APPD                | GK 12-02-1996 |      |
| 3  | REVISED C'BOX PER CN40784A                       | JJB 02/23/2007 | ML                          | .XX             | ±.03                              | TITLE OUTLINE                                  |                     | SCALE 1=2     |      |
| 2  | ADDED CONDUIT BOX VIEW CN 26686                  | MRB 03-22-1998 |                             | .XXX            | ±.005                             | 56 FR. - EXP. PR. - TEFC - 1 $\phi$ & 3 $\phi$ |                     | REF           |      |
| 1  | NEW DRAWING CN 23099                             | MH 12-02-1996  |                             | .XXXX           | ±.0005                            | MAT'L  |                     | FMF           |      |
| NO.  | REVISION   | BY & DATE      | CHK                         | ANG             | ±.730"                            | FINISH   |                     | PREV          |      |
| THIS DRAWING IN DESIGN AND DETAIL IS OUR PROPERTY AND MUST NOT BE USED EXCEPT IN CONNECTION WITH OUR WORK. ALL RIGHTS OF DESIGN AND INVENTION ARE RESERVED. THIS IS AN ELECTRONICALLY GENERATED DOCUMENT - DO NOT SCALE THIS PRINT |  |                | RFP                         | CAD FILE 104189 |                                   | SIZE   | DRAWING NO.         | PAGE OF       | REV. |
|  |  |                | DIST                        | WP              |                                   | B  | 104189              | 4             |      |

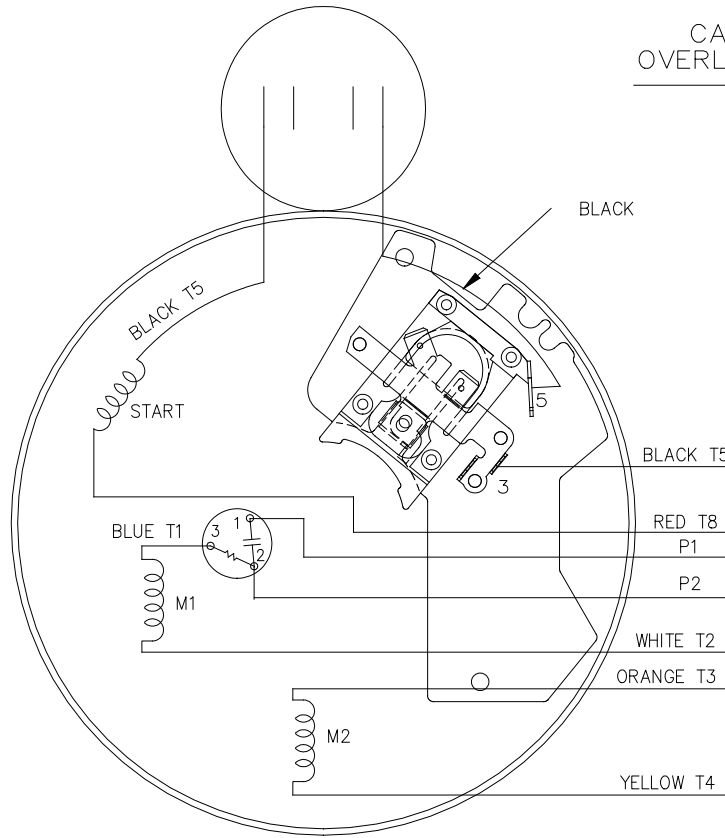
LOW VOLTAGE - C.C.W.



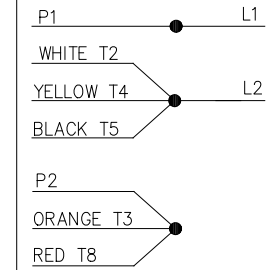
HIGH VOLTAGE - C.C.W.



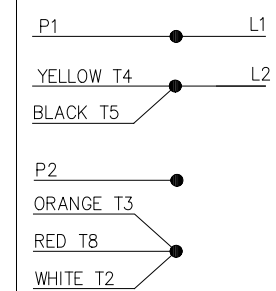
DUAL VOLTAGE  
CAPACITOR START  
OVERLOAD SELECT ROT.



LOW VOLT. - C.C.W. ROT.



HIGH VOLT. - C.C.W. ROT.



FOR C.W. ROTATION  
EITHER VOLTAGE  
INTERCHANGE RED(T8)  
WITH BLACK(T5) LEAD

| NO.  | REVISION   | BY & DATE      | CHK | ANG   | TOLERANCES UNLESS SPECIFIED |        | FINISH  | DRAWN PGK 07-16-1996 |        |                       |           |        |
|--|--|----------------|-----|-------|-----------------------------|--------|---------|----------------------|--------|-----------------------|-----------|--------|
|  |  |                |     |       | DEC.                        | INCHES |         |                      |        |                       |           |        |
| 5  | UPDATED TEMPLETE                                 | MVG 12/11/2017 | PVR | .X    | ±.1                         |        |         | CHK MRB 07-18-1996   |        |                       |           |        |
| 4  | REV'D CONNECTION TO MATCH ROTATION ISAAC 07-2021 | JJB 09/05/2007 | ML  | .XX   | ±.02                        |        |         | APPD GK 07-18-1996   |        |                       |           |        |
| 3  | ADDED T NO.'S MU16064                            | MH 08-09-1997  |     | .XXX  | ±.005                       |        |         | SCALE 5=8            |        |                       |           |        |
| 2  | REDRAWN ON CADD, NO CHANGES                      | PGK 07-18-1996 |     | .XXXX | ±.0005                      |        |         | REF                  |        |                       |           |        |
|  |  |                |     |       | ±7'30"                      |        |         | FMF                  |        |                       |           |        |
|  |  |                |     |       |                             |        |         | PREV                 |        |                       |           |        |
| THIS DRAWING IN DESIGN AND DETAIL IS OUR PROPERTY AND MUST NOT BE USED EXCEPT IN CONNECTION WITH OUR WORK ALL RIGHTS OF DESIGN AND INVENTION ARE RESERVED THIS IS AN ELECTRONICALLY GENERATED DOCUMENT - DO NOT SCALE THIS PRINT |  |                |     |       |                             |        | RFP     | CAD FILE 102005_84   | SIZE A | DRAWING NO. 102005-84 | PAGE OF 5 | REV. 5 |
|  |  |                |     |       |                             |        | DIST WP |                      |        |                       |           |        |



