

PRODUCT INFORMATION PACKET

marathon[®]
Motors

Model No: 056C34G5308
Catalog No: G653
1/2,3600,EPFC,56,1/60/115/208-230
Explosion Proof



Regal and Marathon are trademarks of Regal Beloit Corporation or one of its affiliated companies.
©2018 Regal Beloit Corporation, All Rights Reserved. MC017097E

REGAL[®]



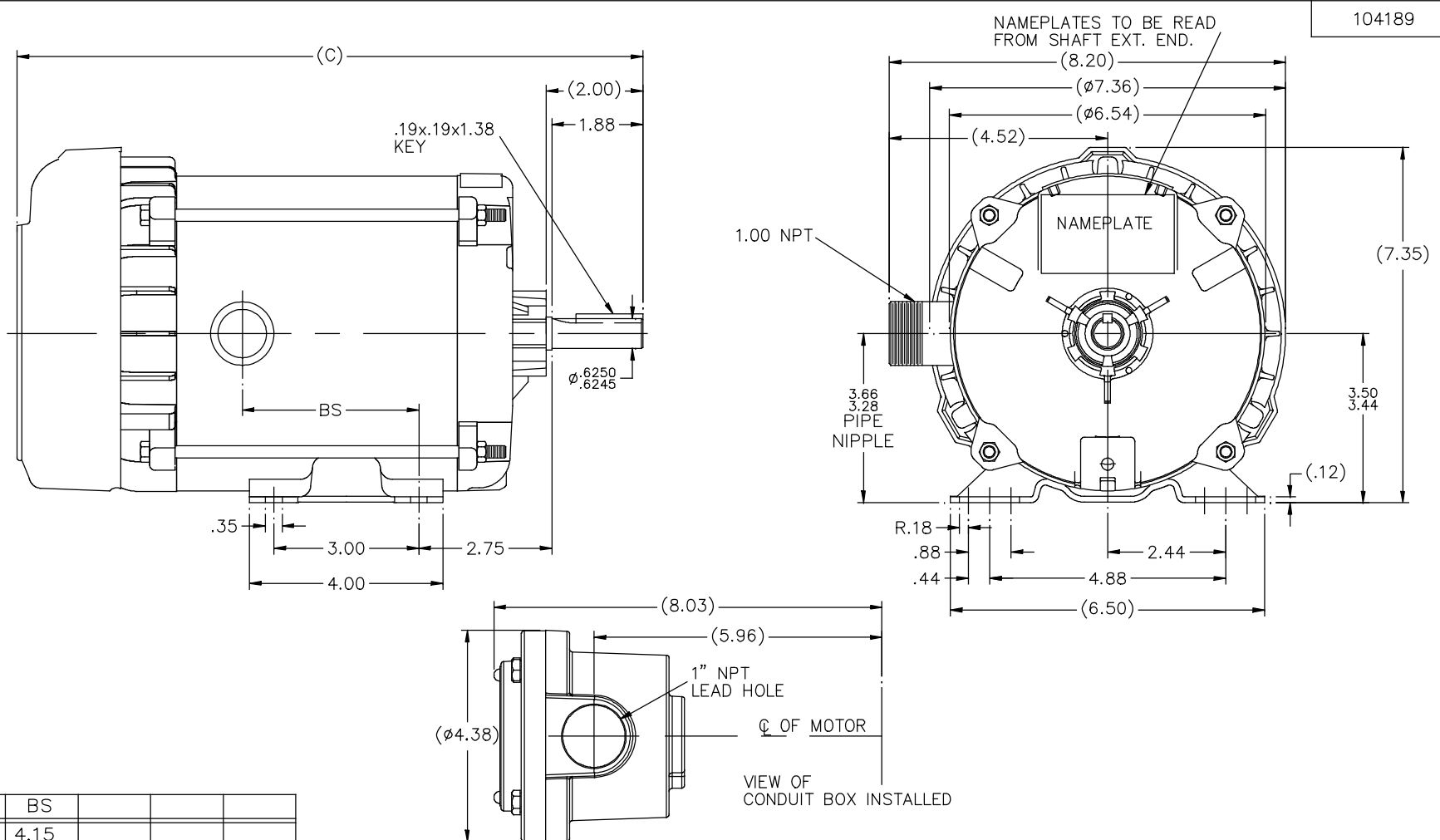
Nameplate Specifications

Output HP	0.50 Hp	Output KW	0.37 kW
Frequency	60 Hz	Voltage	115/208-230 V
Current	8.4/4.0-4.2 A	Speed	3450 rpm
Service Factor	1	Phase	1
Efficiency	59.5 %	Duty	Continuous
Insulation Class	B	Design Code	NO DESIGN CODE
KVA Code	N	Frame	56
Enclosure	Explosion Proof Fan cooled	Overload Protector	Automatic
Ambient Temperature	40 °C	Drive End Bearing Size	6203
Opp Drive End Bearing Size	6203	UL	Recognized
CSA	N	CE	N
IP Code	54		

Technical Specifications

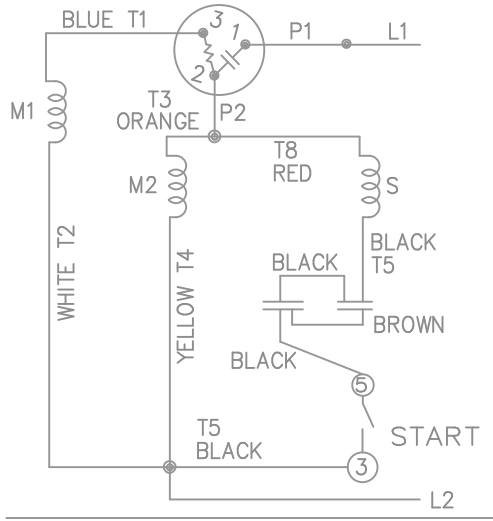
Electrical Type	Capacitor Start Induction Run	Starting Method	Across The Line
Poles	2	Rotation	Selective Counterclockwise
Mounting	Rigid base	Motor Orientation	Horizontal
Drive End Bearing	Ball	Opp Drive End Bearing	Ball
Frame Material	Rolled Steel	Shaft Type	T
Overall Length	13.44 in	Frame Length	6.31 in
Shaft Diameter	0.625 in	Shaft Extension	2 in
Assembly/Box Mounting	F1 Only		
Outline Drawing	B-104189-631	Connection Diagram	102005-109

This is an uncontrolled document once printed or downloaded and is subject to change without notice. Date Created: 06/29/2018

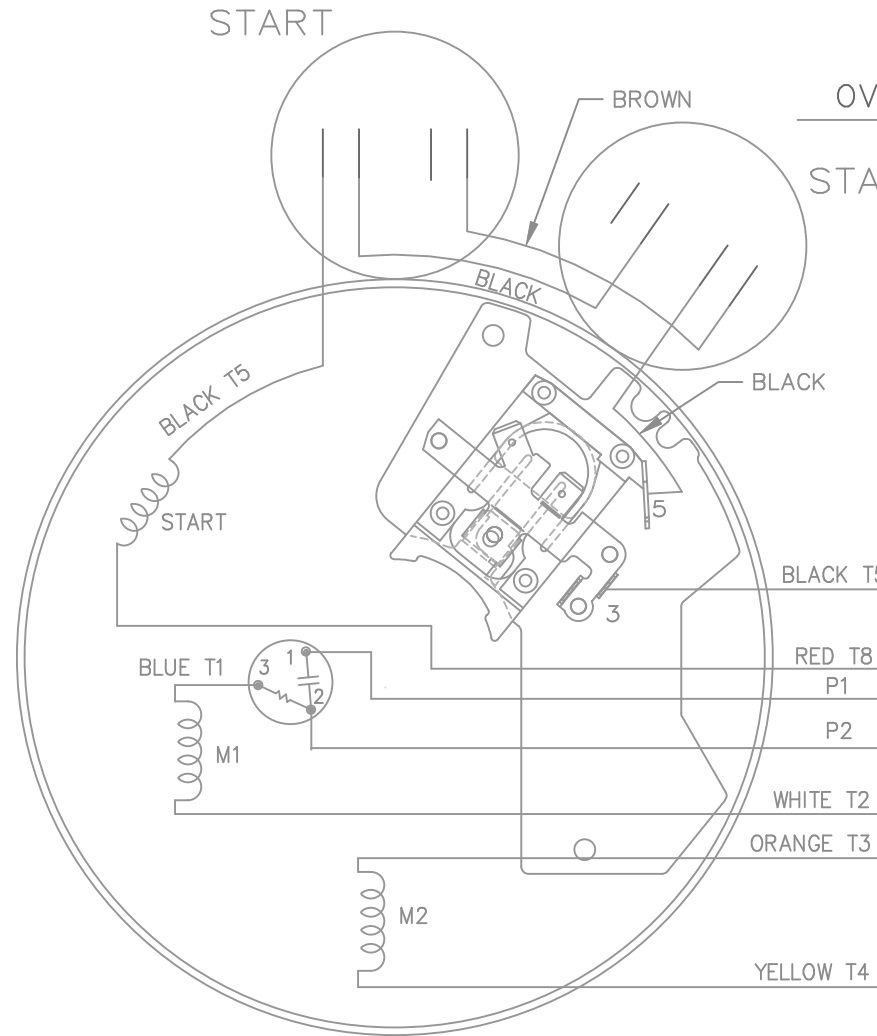
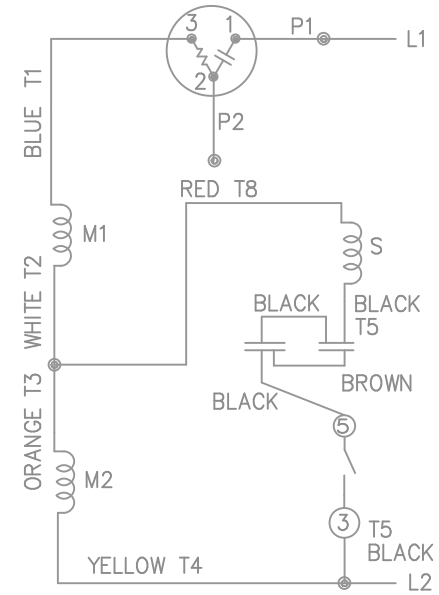


DASH	(C)	BS			
631	13.44	4.15			
681	13.94	4.65			
731	14.44	5.15			
781	14.94	5.65			
831	15.44	6.15			
881	15.94	6.65			
931	16.44	7.15			
981	16.94	7.65			

				TOLERANCES UNLESS SPECIFIED		DRAWN MH 11-20-1996	
				DEC.	INCHES	CHK	ML 12-02-1996
4	COND. BOX INSTALLED VIEW UPDATED PER ECR-0044571	UD	10/15/13	ST	.X	±.1	APPD GK 12-02-1996
3	REVISED C'BOX PER CN40784A	JJB	02/23/2007	ML	.XX	±.03	SCALE 1=2
2	ADDED CONDUIT BOX VIEW CN 26686	MRB	03-22-1998		.XXX	±.005	REF
1	NEW DRAWING CN 23099	MH	12-02-1996		.XXXX	±.0005	FMF
NO.	REVISION	BY & DATE		CHK	ANG	±7'30"	PREV
THIS DRAWING IN DESIGN AND DETAIL IS OUR PROPERTY AND MUST NOT BE USED EXCEPT IN CONNECTION WITH OUR WORK. ALL RIGHTS OF DESIGN AND INVENTION ARE RESERVED. THIS IS AN ELECTRONICALLY GENERATED DOCUMENT - DO NOT SCALE THIS PRINT				RFP	CAD FILE 104189		SIZE B
				DIST	WP	DRAWING NO. 104189	PAGE OF 4
						REGAL™ Regal Beloit America, Inc.	
						TITLE OUTLINE 56 FR. - EXP. PR. - TEFC - 1Ø & 3Ø	
						FINISH	

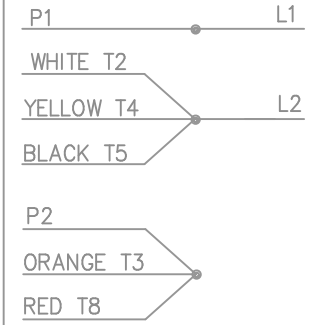


HIGH VOLTAGE - C.C.W.

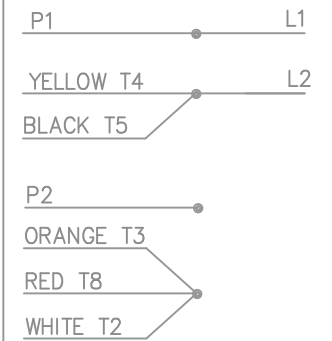


DUAL VOLTAGE
CAPACITOR START
OVERLOAD SELECT ROT.

LOW VOLT. - C.C.W. ROT.



HIGH VOLT. - C.C.W. ROT.



FOR C.W. ROTATION
EITHER VOLTAGE
INTERCHANGE RED(T8)
WITH BLACK(T5) LEAD

				TOLERANCES UNLESS SPECIFIED		MARATHON ELECTRIC	DRAWN MJD 02-11-1998						
				DEC.	INCHES		CHK	ML	02-19-1998				
				.X	± -		APPD	DAR	02-23-1998	SCALE	5=8		
2	REISSUE - CLARIFIED JUNCTION OF WHITE T2, BLACK T5 AND YELLOW T4 ON THE LOW VOLTAGE DIAGRAM	MSG 06-26-2007	ST	.XXX	± -	TITLE CONNECTION DIAGRAM		REF					
1	NEW DRAWING MU18593	MJD 02-23-1998		.XXXX	± -	MAT'L.		FMF					
NO.	REVISION	BY & DATE	CHK	ANG	± -	FINISH		PREV					
THIS DRAWING IN DESIGN AND DETAIL IS OUR PROPERTY AND MUST NOT BE USED EXCEPT IN CONNECTION WITH OUR WORK ALL RIGHTS OF DESIGN AND INVENTION ARE RESERVED THIS IS AN ELECTRONICALLY GENERATED DOCUMENT - DO NOT SCALE THIS PRINT				RFP		CAD FILE 102005_109	SIZE	DRAWING NO.	PAGE	OF	REV.		
				DIST	WP		A	102005-109			2		

