

# PRODUCT INFORMATION PACKET

**marathon**<sup>®</sup>  
Motors

Model No: 056C34F5340  
Catalog No: T013  
3/4,3450,TEFC,56,1/60/115/208-230  
Power Tools



Regal and Marathon are trademarks of Regal Beloit Corporation or one of its affiliated companies.  
©2018 Regal Beloit Corporation, All Rights Reserved. MC017097E

**REGAL**<sup>®</sup>



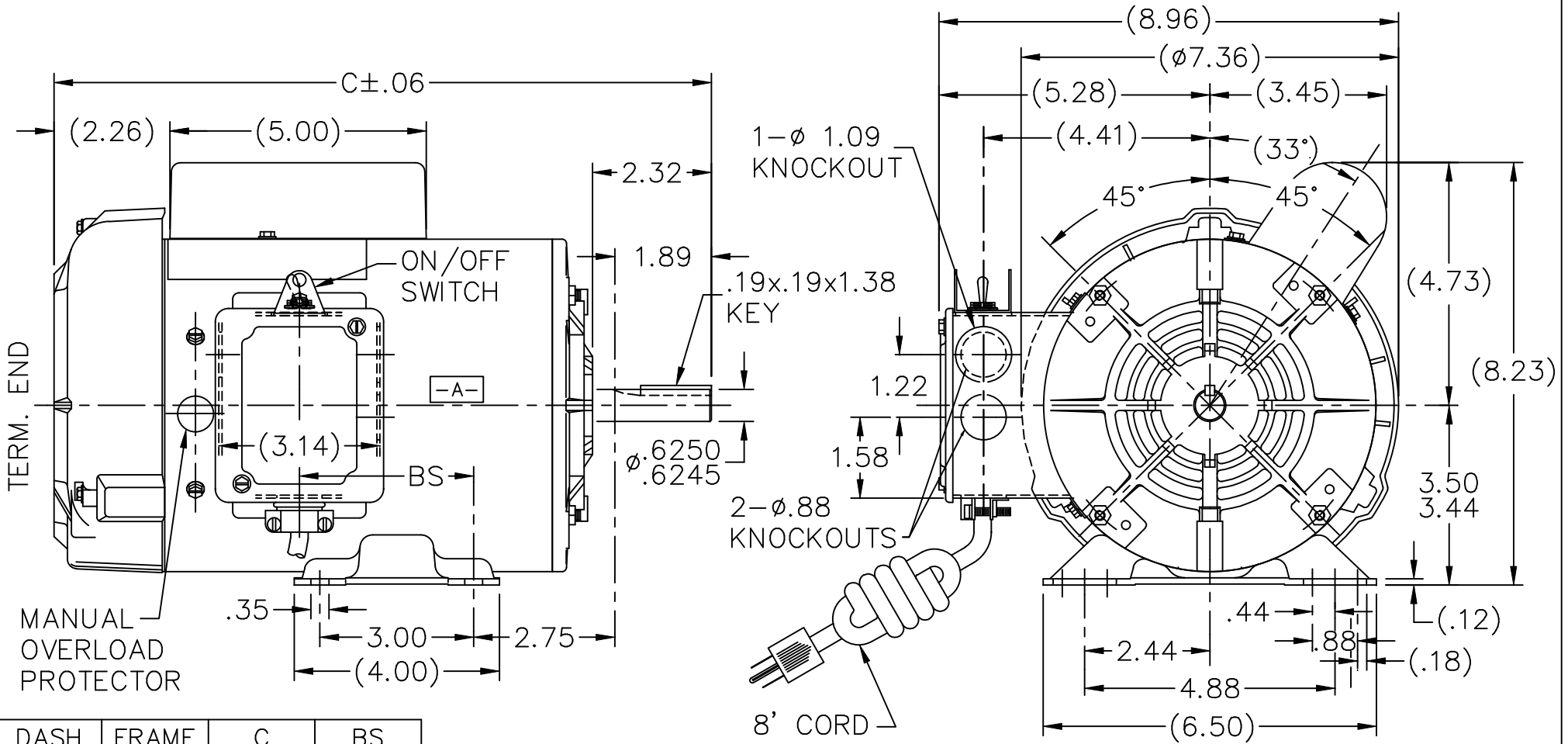
### Nameplate Specifications

Output HP	<b>0.75 Hp</b>	Output KW	<b>0.56 kW</b>
Frequency	<b>60 Hz</b>	Voltage	<b>115/208-230 V</b>
Current	<b>10.6/5.3-5.3 A</b>	Speed	<b>3450 rpm</b>
Service Factor	<b>1.15</b>	Phase	<b>1</b>
Efficiency	<b>66 %</b>	Duty	<b>Continuous</b>
Insulation Class	<b>B</b>	Design Code	<b>L</b>
KVA Code	<b>M</b>	Frame	<b>56</b>
Enclosure	<b>Totally Enclosed Fan Cooled</b>	Overload Protector	<b>Manual</b>
Ambient Temperature	<b>40 °C</b>	Drive End Bearing Size	<b>6203</b>
Opp Drive End Bearing Size	<b>6203</b>	UL	<b>Recognized</b>
CSA	<b>Y</b>	CE	<b>Y</b>
IP Code	<b>43</b>		

### Technical Specifications

Electrical Type	<b>Capacitor Start Induction Run</b>	Starting Method	<b>Across The Line</b>
Poles	<b>2</b>	Rotation	<b>Selective Counterclockwise</b>
Mounting	<b>Rigid base</b>	Motor Orientation	<b>Horizontal</b>
Drive End Bearing	<b>Ball</b>	Opp Drive End Bearing	<b>Ball</b>
Frame Material	<b>Rolled Steel</b>	Shaft Type	<b>T</b>
Overall Length	<b>12.32 in</b>	Shaft Diameter	<b>0.625 in</b>
Shaft Extension	<b>1.88 in</b>	Assembly/Box Mounting	<b>F1 Only</b>
Outline Drawing	<b>A-104240-706</b>	Connection Diagram	<b>102005-79</b>

This is an uncontrolled document once printed or downloaded and is subject to change without notice. Date Created: 06/29/2018



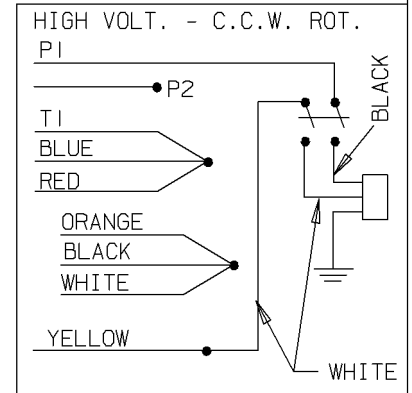
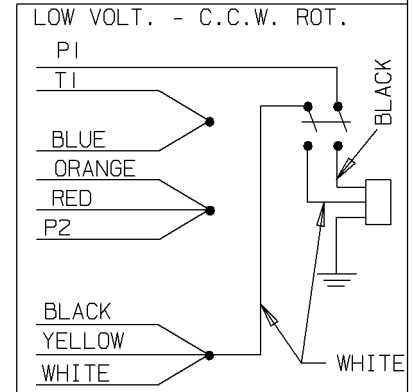
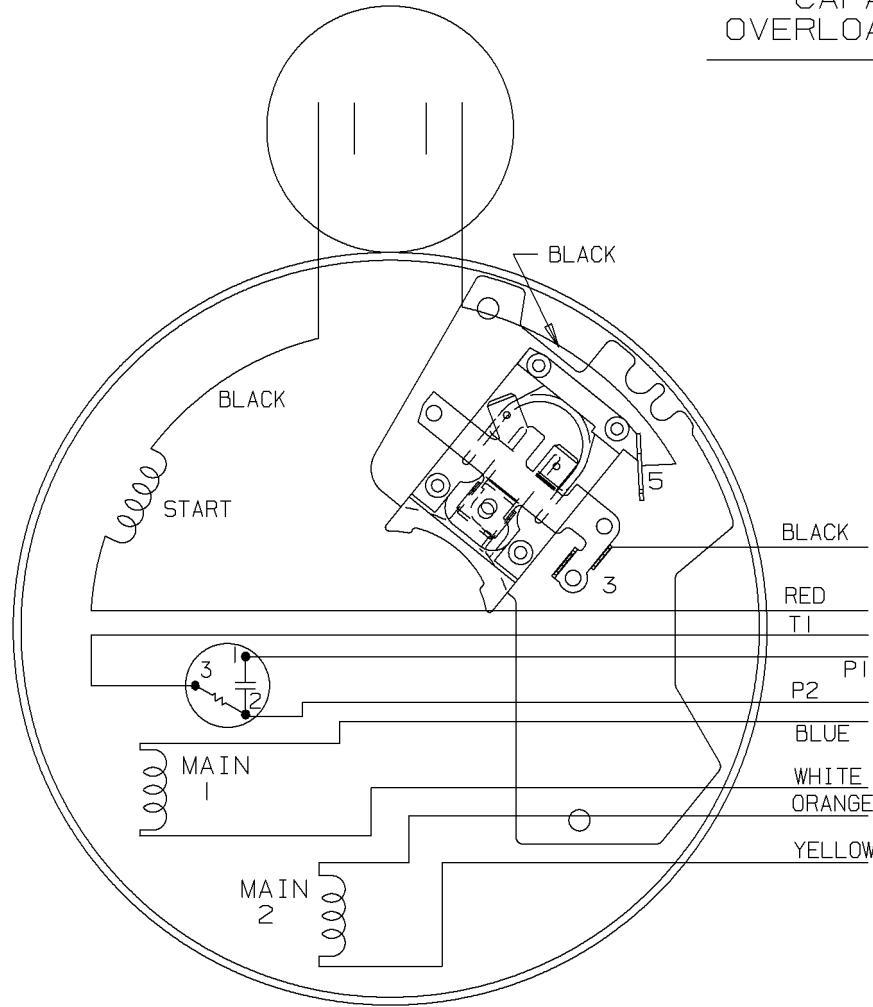
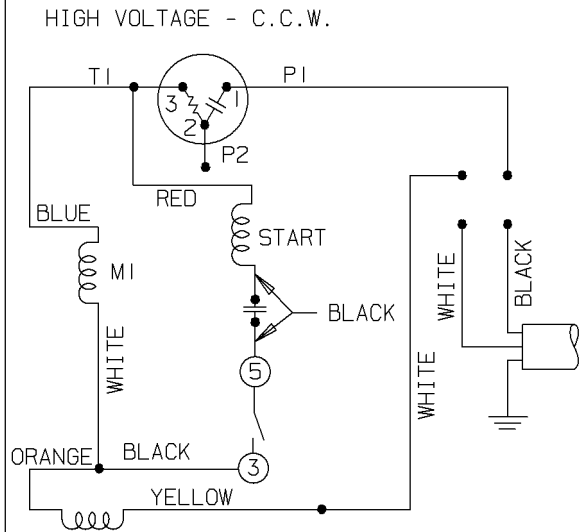
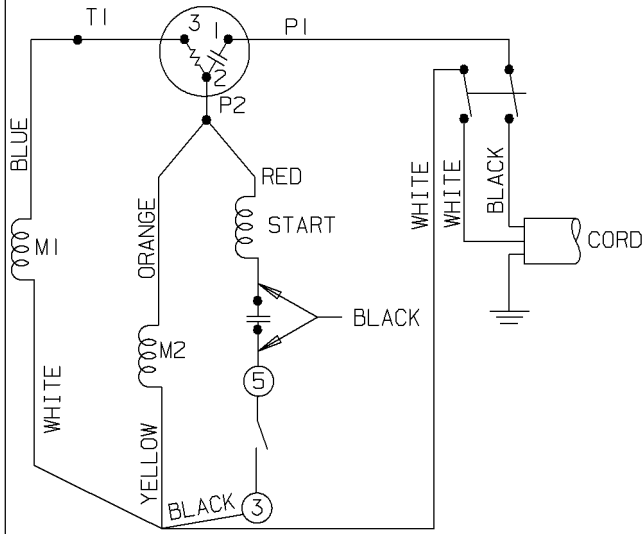
DASH	FRAME	C	BS
656	56-65	11.82	2.40
706	56-70	12.32	2.90
756	56-75	12.82	3.40

NOTES:

1. CONDUIT BOX CAN BE ROTATED 180°
2. NAMEPLATE TO BE READ FROM CONDUIT BOX SIDE

				TOLERANCES UNLESS SPECIFIED			DRAWN MH 01-28-1997				
				DEC.	INCHES		CHK ML 01-30-1997				
				.X	±.1		APPD SAT 02-04-1997				
3	UPDATED DRAWING	RJW 03-29-2007		.XX	±.03	TITLE OUTLINE - MANUAL PROTECTOR 56 FR. - BB - TEFC - 1Ø	SCALE 11=32				
2	REDRAWN IN AUTOCAD	TAT 06-24-2005	DRS	.XXX	±.005		REF				
1	NEW DRAWNG MU12083	MH 02-04-1997		.XXXX	±.0005		FMF				
NO.	REVISION	BY & DATE	CHK	ANG	±7'30"	FINISH	PREV				
THIS DRAWING IN DESIGN AND DETAIL IS OUR PROPERTY AND MUST NOT BE USED EXCEPT IN CONNECTION WITH OUR WORK ALL RIGHTS OF DESIGN AND INVENTION ARE RESERVED THIS IS AN ELECTRONICALLY GENERATED DOCUMENT - DO NOT SCALE THIS PRINT				RFP		CAD FILE 104240	SIZE	DRAWING NO.	PAGE	OF	REV.
				DIST	WP		A	104240		3	

DUAL VOLTAGE  
CAPACITOR START  
OVERLOAD SELECT ROT.



FOR C.W. ROTATION  
EITHER VOLTAGE  
INTERCHANGE RED  
WITH BLACK LEAD

				✓ MAX. SURFACE ROUGHNESS UNLESS NOTED OTHERWISE	UNLESS OTHERWISE SPECIFIED DIMENSIONS ARE IN INCHES TOL. ON XX± .02 XXX± .005 XXXX± .0005 ANGLES± 7'30"		
				MATL SPEC			DRAWN BY PGK 05-14-1996
				FINISH	MARATHON ELECTRIC		CHKD BY KL 07-18-1996
2	07-08-1996	REDRAWN ON CADD, NO CHANGES		PGK	WAUSAU, WISCONSIN 54401		APPD BY ML 07-08-1996
REV	DATE	CHANGE		NAME	PART NAME CONNECTION DIAGRAM		DRWG NO A- 102005-79

SHOP BOOK

PURCHASED

DISTRIBUTION - WA - LB - WP - LM - BR

CADD FILE NO.

0200579

