

PRODUCT INFORMATION PACKET

marathon[®]
Motors

Model No: 056C34F5339
Catalog No: T015
1,3600,TEFC,56,1/60/115/208-230
Power Tools



Regal and Marathon are trademarks of Regal Beloit Corporation or one of its affiliated companies.
©2018 Regal Beloit Corporation, All Rights Reserved. MC017097E

REGAL[®]



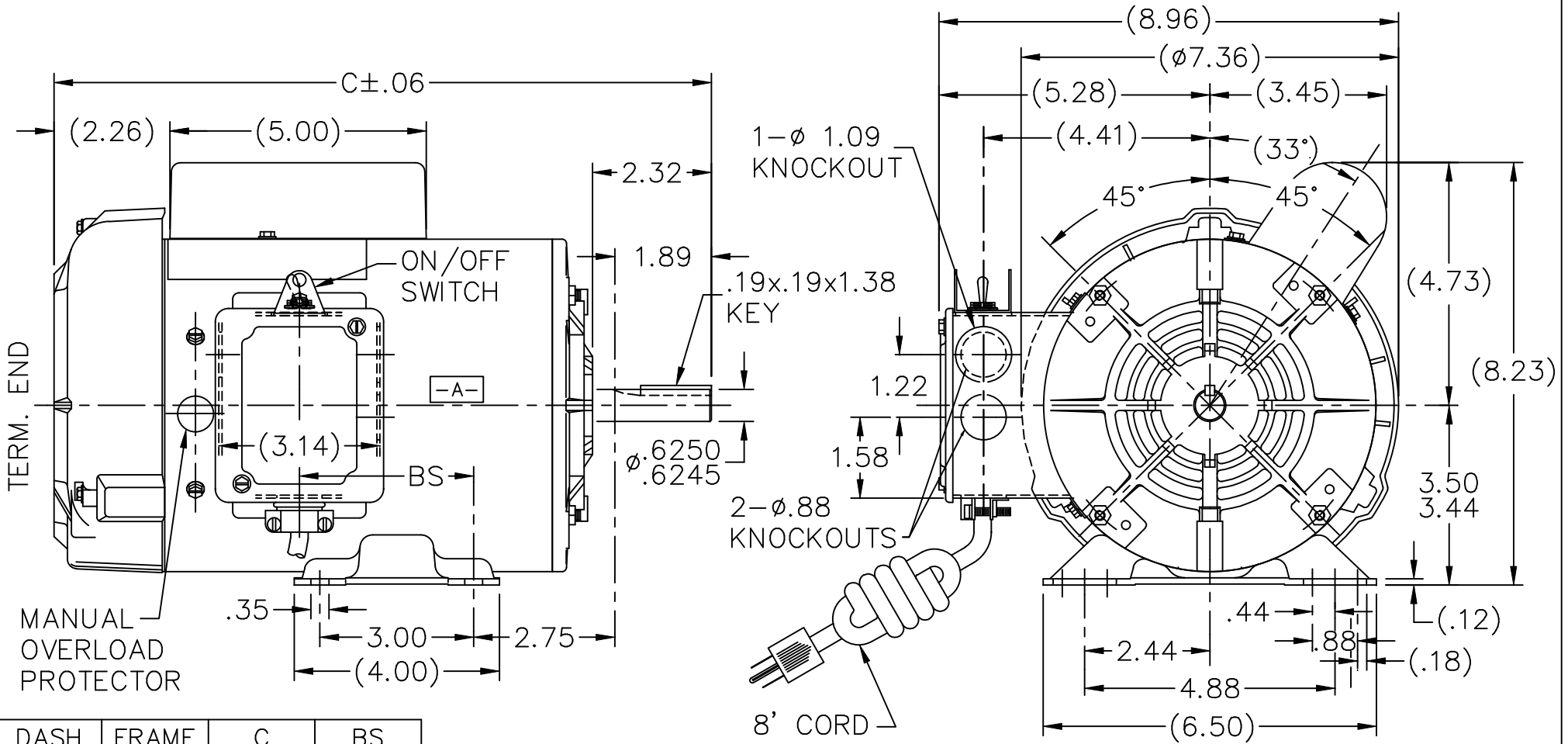
Nameplate Specifications

Output HP	1 Hp	Output KW	0.75 kW
Frequency	60 Hz	Voltage	115/208-230 V
Current	12.4/6.7-6.2 A	Speed	3450 rpm
Service Factor	1.15	Phase	1
Efficiency	72 %	Duty	Continuous
Insulation Class	B	Design Code	L
KVA Code	K	Frame	56
Enclosure	Totally Enclosed Fan Cooled	Overload Protector	Manual
Ambient Temperature	40 °C	Drive End Bearing Size	6203
Opp Drive End Bearing Size	6203	UL	Recognized
CSA	Y	CE	Y
IP Code	43		

Technical Specifications

Electrical Type	Capacitor Start Induction Run	Starting Method	Across The Line
Poles	2	Rotation	Selective Counterclockwise
Mounting	Rigid base	Motor Orientation	Horizontal
Drive End Bearing	Ball	Opp Drive End Bearing	Ball
Frame Material	Rolled Steel	Shaft Type	T
Overall Length	12.32 in	Frame Length	7.06 in
Shaft Diameter	0.625 in	Shaft Extension	2.32 in
Assembly/Box Mounting	F1 Only		
Outline Drawing	A-104240-706	Connection Diagram	102005-79

This is an uncontrolled document once printed or downloaded and is subject to change without notice. Date Created: 06/29/2018



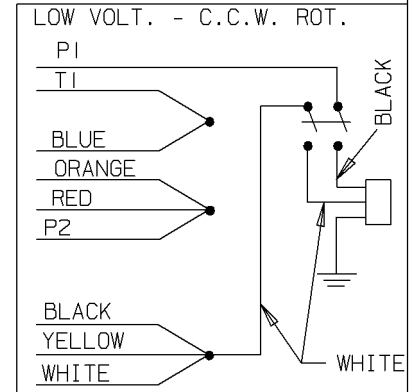
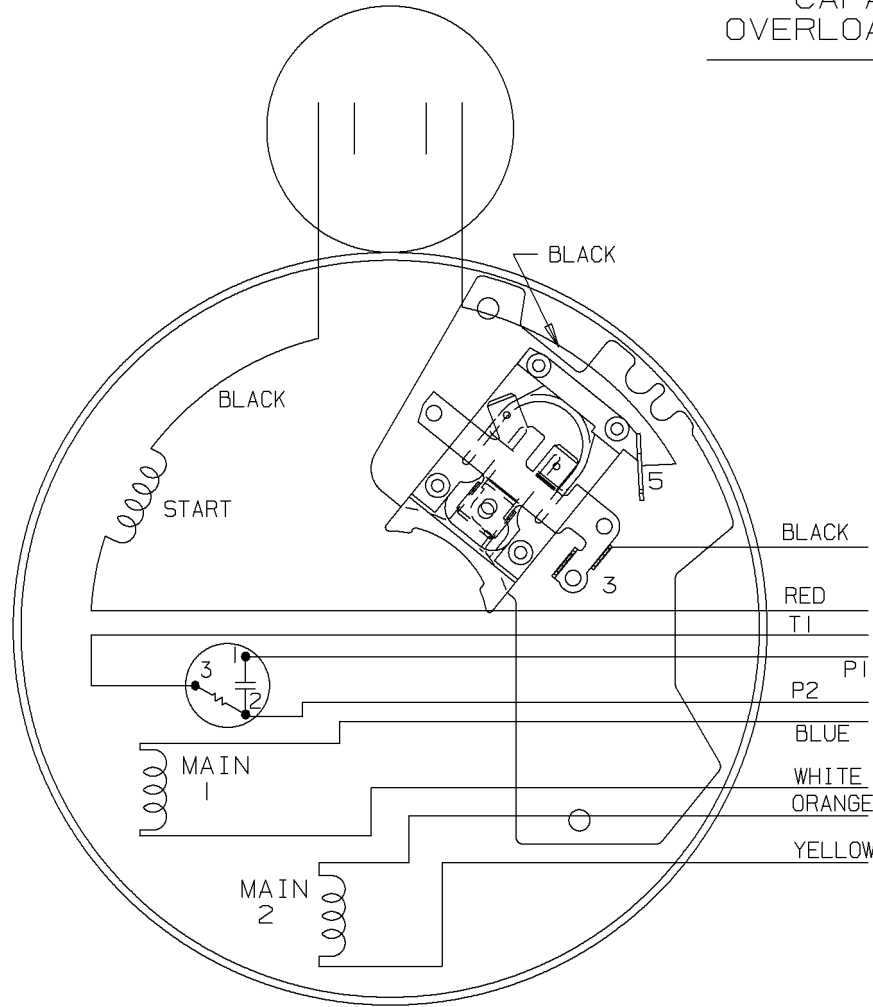
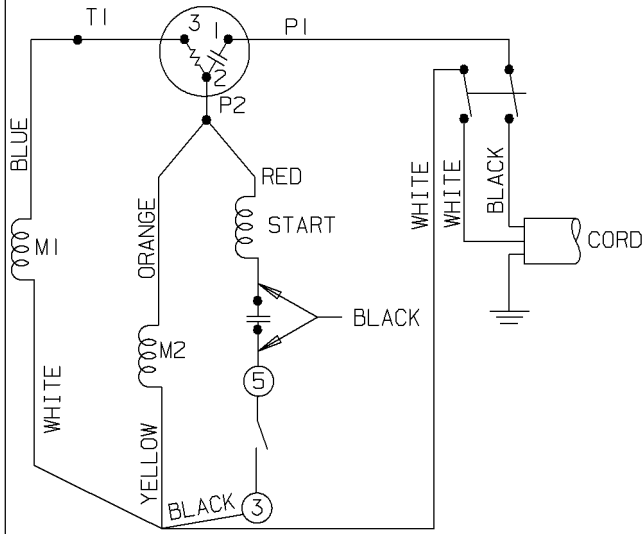
DASH	FRAME	C	BS
656	56-65	11.82	2.40
706	56-70	12.32	2.90
756	56-75	12.82	3.40

NOTES:

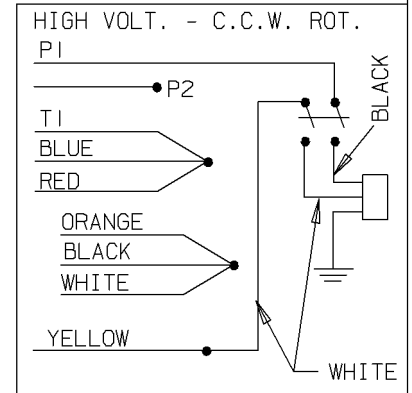
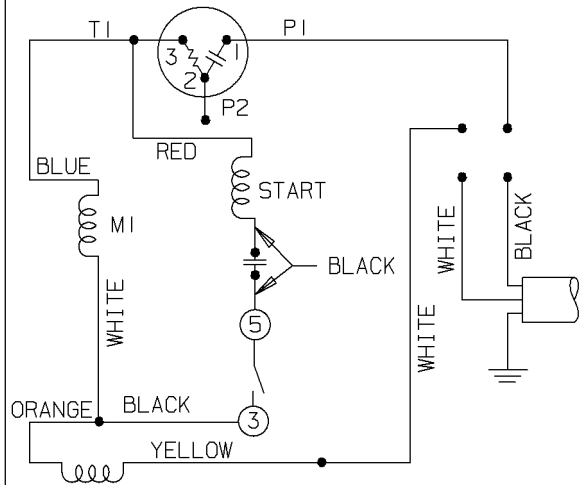
1. CONDUIT BOX CAN BE ROTATED 180°
2. NAMEPLATE TO BE READ FROM CONDUIT BOX SIDE

				TOLERANCES UNLESS SPECIFIED		MARATHON ELECTRIC	DRAWN MH 01-28-1997			
				DEC.	INCHES		CHK	ML 01-30-1997	APPD	SAT 02-04-1997
				.X	±.1					
3	UPDATED DRAWING	RJW 03-29-2007		.XX	±.03	TITLE	OUTLINE - MANUAL PROTECTOR	SCALE	11=32	
2	REDRAWN IN AUTOCAD	TAT 06-24-2005	DRS	.XXX	±.005		56 FR. - BB - TEFC - 1Ø	REF		
1	NEW DRAWNG MU12083	MH 02-04-1997		.XXXX	±.0005	MAT'L.		FMF		
NO.	REVISION	BY & DATE	CHK	ANG	±7'30"	FINISH		PREV		
THIS DRAWING IN DESIGN AND DETAIL IS OUR PROPERTY AND MUST NOT BE USED EXCEPT IN CONNECTION WITH OUR WORK ALL RIGHTS OF DESIGN AND INVENTION ARE RESERVED THIS IS AN ELECTRONICALLY GENERATED DOCUMENT - DO NOT SCALE THIS PRINT				RFP		CAD FILE	104240	SIZE	A	
				DIST	WP	DRAWING NO.	104240	PAGE	OF	
									REV.	
									3	

DUAL VOLTAGE
CAPACITOR START
OVERLOAD SELECT ROT.



HIGH VOLTAGE - C.C.W.



FOR C.W. ROTATION
EITHER VOLTAGE
INTERCHANGE RED
WITH BLACK LEAD

		✓ MAX. SURFACE ROUGHNESS UNLESS NOTED OTHERWISE		UNLESS OTHERWISE SPECIFIED DIMENSIONS ARE IN INCHES TOL. ON XX± .02 XXX± .005 XXXX± .0005 ANGLES± 7'30"	
		MATL SPEC		DRAWN BY PGK 05-14-1996	
		FINISH		CHKD BY KL 07-18-1996	
2	07-08-1996	REDRAWN ON CADD, NO CHANGES	PGK	REFERENCE DRW.	WAUSAU, WISCONSIN 54401
APPD BY	ML	PART NAME CONNECTION DIAGRAM			DRWG NO A-102005-79

SHOP BOOK

PURCHASED

DISTRIBUTION - WA - LB - WP - LM - BR

CADD FILE NO.

0200579

CERTIFICATION DATA SHEET

Model#: 56C34F5339 D WINDING#: ZC223 NONE 3
 CONN. DIAGRAM: 102005-79 ASSEMBLY: F1 ONLY
 OUTLINE: A-104240-706

TYPICAL MOTOR PERFORMANCE DATA

HP	KW	SYNC. RPM	F.L. RPM	FRAME	ENCLOSURE	KVA CODE	DESIGN
1	.75	3600	3450	56	TEFC	K	L

PH	Hz	VOLTS	FL AMPS	START TYPE	DUTY	INSL	S.F	AMB°C	ELEVATION
1	60	115/208-230	12.4/6.7-6.2	ACROSS THE LINE	CONTINUOUS	B3	1.15	40	3300

FULL LOAD EFF: 72	3/4 LOAD EFF: 70.1	1/2 LOAD EFF: 65.4	GTD. EFF	ELEC. TYPE	NO LOAD AMPS
FULL LOAD PF: 76	3/4 LOAD PF: 75.1	1/2 LOAD PF: 66.8	0	CAP START IND RUN	5.4 / 2.7

F.L. TORQUE	LOCKED ROTOR AMPS	L.R. TORQUE	B.D. TORQUE	F.L. RISE°C
23.8 LB-FT	73.8 / 36.9	75.4 LB-FT 0	62.8 LB-FT 0	-

SOUND PRESSURE @ 3 FT.	SOUND POWER	ROTOR WK^2	MAX. WK^2	SAFE STALL TIME	STARTS /HOUR	APPROX. MOTOR WGT
0 dBA	10 dBA	0 LB-FT^2	0 LB-FT^2	0 SEC.	0	0 LBS.

*** SUPPLEMENTAL INFORMATION ***

DE BRACKET TYPE	ODE BRACKET TYPE	MOUNT TYPE	ORIENTATION	SEVERE DUTY	HAZARDOUS LOCATION	DRIP COVER	SCREENS	PAINT
STANDARD	BRAKE	RIGID	HORIZONTAL	FALSE	NONE	FALSE	NONE	GRAY (POWDER)

BEARINGS		GREASE	SHAFT TYPE	SPECIAL DE	SPECIAL ODE	SHAFT MATERIAL	FRAME MATERIAL
DE	OPE						
BALL	BALL	POLYREX EM	T	NONE	NONE	1144 STRESSPROOF (C-223)	ROLLED STEEL
6203	6203						

THERMO-PROTECTORS				THERMISTORS	CONTROL	SPACE /n HEATERS
THERMOSTATS	PROTECTORS	WDG RTDs	BRG RTDs			
NONE	MANUAL	NONE	NONE	NONE	FALSE	NONE VOLTS

If Inverter equals NONE, contact factory for further information

*
N
O
T
E
S
*

INVERTER TORQUE: NONE
INV. HP SPEED RANGE: NONE
ENCODER: NONE
NONE NONE
NONE NONE PPR
BRAKE: PROVISIONS FOR KIT NONE
NONE P/N NONE
NONE NONE
NONE FT-LB NONE V NONE Hz

DATE: 06/27/2017 07:52:55 AM
 FORM 3531 REV.3 02/07/99
 ** Subject to change without notice.