

PRODUCT INFORMATION PACKET

marathon[®]
Motors

Model No: 056C34D2121
Catalog No: J057
1,3450,DP,56J,1/60/115/208-230
Single Phase



Regal and Marathon are trademarks of Regal Beloit Corporation or one of its affiliated companies.
©2018 Regal Beloit Corporation, All Rights Reserved. MC017097E

REGAL[®]



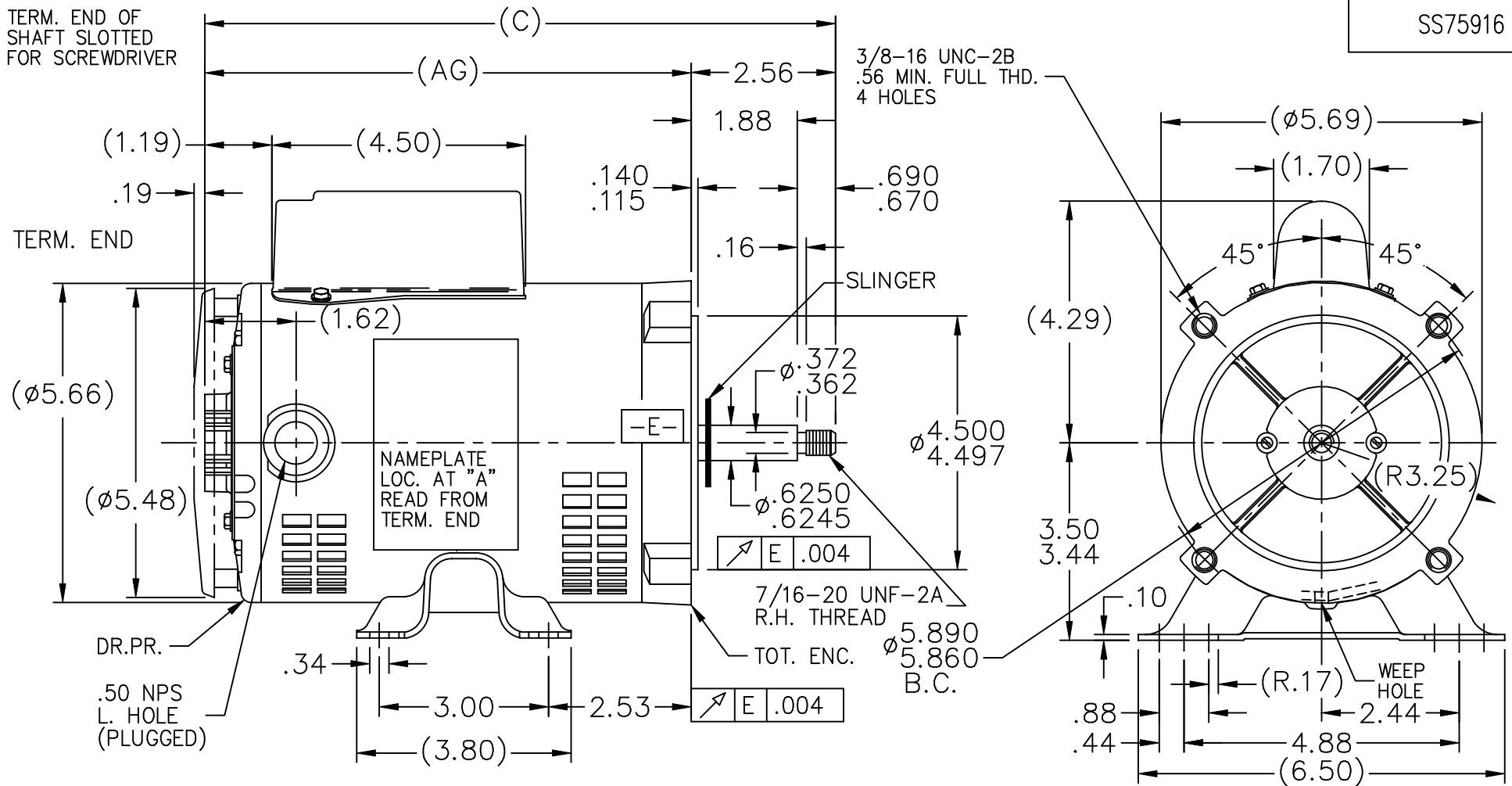
Nameplate Specifications

Output HP	1 Hp	Output KW	0.75 kW
Frequency	60 Hz	Voltage	115/208-230 V
Current	12.0/6.2-6.0 A	Speed	3450 rpm
Service Factor	1.4	Phase	1
Efficiency	72 %	Duty	Continuous
Insulation Class	B	Design Code	NO DESIGN CODE
KVA Code	K	Frame	56J
Enclosure	Drip Proof	Overload Protector	Automatic
Ambient Temperature	40 °C	Drive End Bearing Size	6203
Opp Drive End Bearing Size	6203	UL	Recognized
CSA	Y	CE	Y
IP Code	22		

Technical Specifications

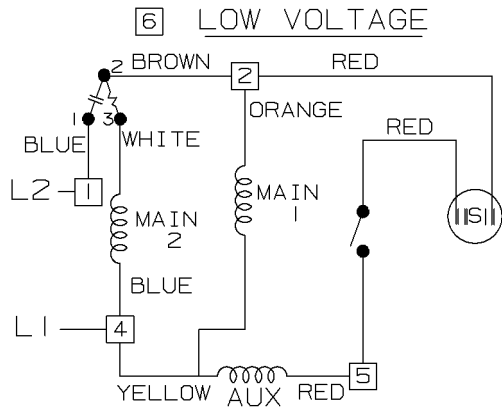
Electrical Type	Capacitor Start Induction Run	Starting Method	Across The Line
Poles	2	Rotation	Fixed Clockwise
Mounting	Rigid base	Motor Orientation	Horizontal Or Shaft Down
Drive End Bearing	Ball	Opp Drive End Bearing	Ball
Frame Material	Rolled Steel	Shaft Type	T
Overall Length	12.44 in	Frame Length	8.00 in
Shaft Diameter	0.625 in	Shaft Extension	2.56 in
Assembly/Box Mounting	F1 Only		
Outline Drawing	A-SS75916-800	Connection Diagram	A-EE9002V

This is an uncontrolled document once printed or downloaded and is subject to change without notice. Date Created: 07/02/2018

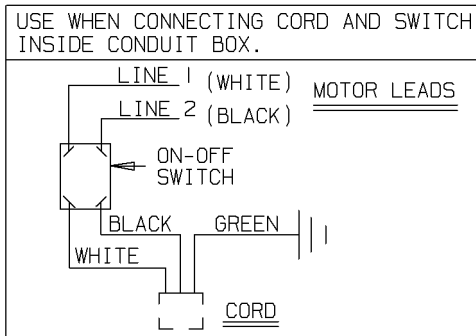
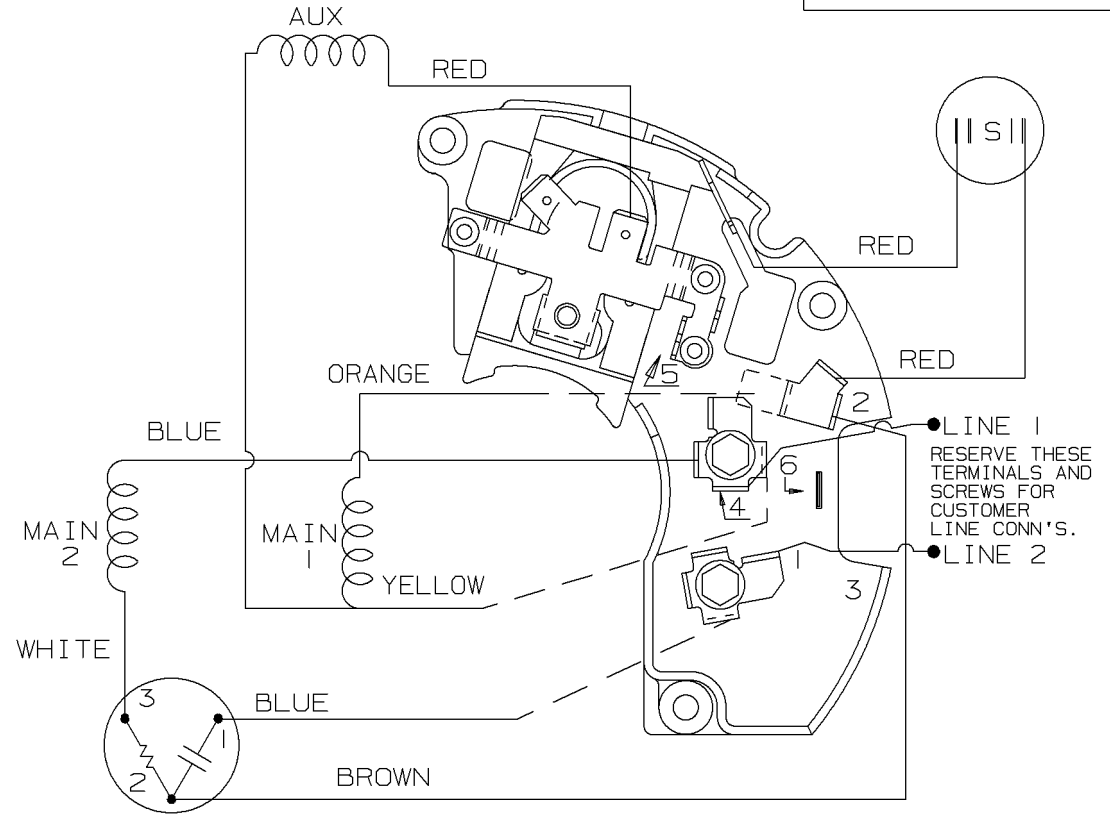
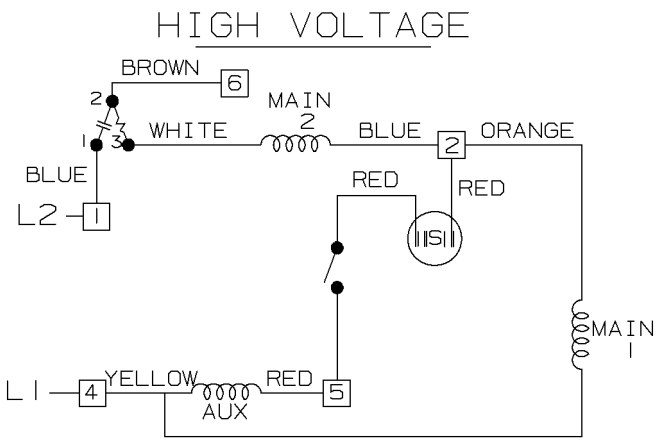


DASH	C	AG	DASH	C	AG	DASH	C	AG
625	10.69	8.12	700	11.44	8.88	775	12.19	9.62
650	10.94	8.38	725	11.69	9.12	800	12.44	9.87
675	11.19	8.62	750	11.94	9.38			

			TOLERANCES UNLESS SPECIFIED			DRAWN DD 7/1/1993
			DEC.	INCHES		CHK MOL 7/2/1993
4	UPDATED DRAWING	TJW 05/11/2007	.X	±.1	TITLE OUTLINE	APPD GK 7/2/1993
3	ADDED NEW FRONT BRACKET CN20124	RJM 4/4/1995	.XX	±.03		SCALE 3=8
2	PHANTOM DRIPCOVER - ADDED SLINGER CN16315	KL 9/28/1993	.XXX	±.005		REF
1	NEW DRAWING 4041657	DD 7/12/1993	.XXXX	±.0005	MAT'L.	FMF
NO.	REVISION	BY & DATE	CHK	ANG	±7'30"	PREV
THIS DRAWING IN DESIGN AND DETAIL IS OUR PROPERTY AND MUST NOT BE USED EXCEPT IN CONNECTION WITH OUR WORK ALL RIGHTS OF DESIGN AND INVENTION ARE RESERVED THIS IS AN ELECTRONICALLY GENERATED DOCUMENT - DO NOT SCALE THIS PRINT			RFP	CAD FILE SS75916		SIZE A
			DIST WP			DRAWING NO. SS75916
					PAGE 1 OF 1	
					REV. 4	



DUAL VOLTAGE
CAP. START NOT REVERSIBLE
WITH OVERLOAD PROTECTION.



VIEWING TERM END

LOW VOLTAGE CW ROTATION SHOWN.

FOR HIGH VOLTAGE
CONNECT BROWN TERM 2 TO TERM 6.
CONNECT BLUE TERM 4 TO TERM 2.

DASH LINES INDICATE LEADS CONNECTED
TO MOTOR SIDE OF SWITCH.

3	01-28-1991	REVISED LINE 2 LOCATION	RM	✓ MAX. SURFACE ROUGHNESS UNLESS NOTED OTHERWISE	UNLESS OTHERWISE SPECIFIED DIMENSIONS ARE IN INCHES TOL. ON XX± XXX±.005 XXXX±.0005 ANGLES±
2	01-04-1991	ADDED CORD - SWITCH CONNECTION	SMC	MATL SPEC	DRAWN BY SMC 12-11-1990
1	112-11-1990	NEW DRAWING	SMC	FINISH	CHKD BY ML 12-11-1990
REV	DATE	CHANGE	NAME	REFERENCE DRW.	APPD BY GK 12-11-1990
			PART NAME CONNECTION DIAGRAM		DRWG NO
			48 FR. DUAL VOLTAGE NOT REVERSIBLE		A - EE9002V

SHOP BOOK

PURCHASED

DISTRIBUTION - WA - LB - WP - LM - BR

CADD FILE NO.

EE9002V

```
ERROR: syntaxerror
OFFENDING COMMAND: --nostringval--
STACK:
  /im
  -savelevel -
```

