

PRODUCT INFORMATION PACKET

marathon[®]
Motors

Model No: 056C34D2118
Catalog No: J054
1/3,3450,DP,56J,1/60/115/208-230
Single Phase



Regal and Marathon are trademarks of Regal Beloit Corporation or one of its affiliated companies.
©2018 Regal Beloit Corporation, All Rights Reserved. MC017097E

REGAL[®]



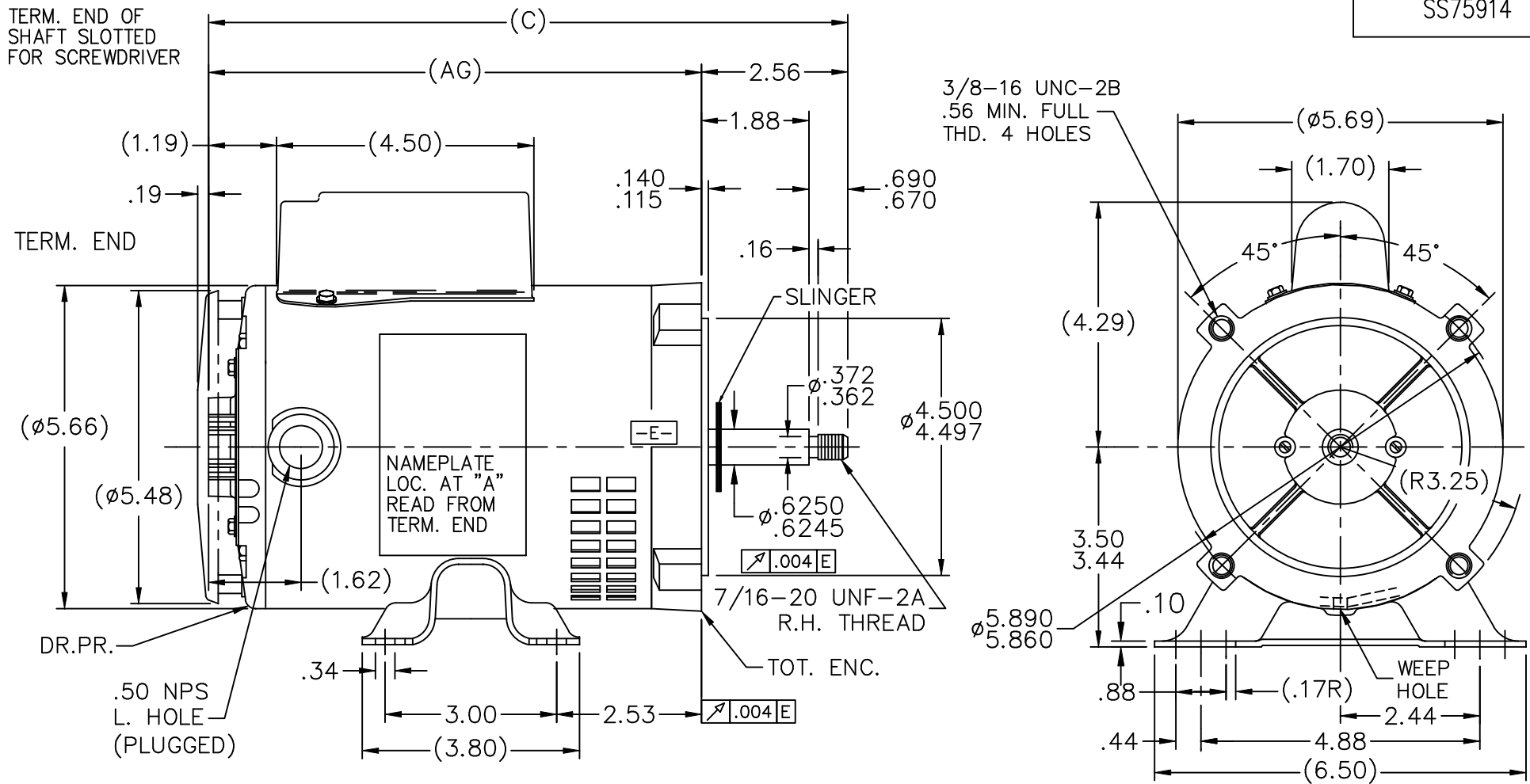
Nameplate Specifications

Output HP	0.33 Hp	Output KW	0.25 kW
Frequency	60 Hz	Voltage	115/208-230 V
Current	5.6/2.7-2.8 A	Speed	3450 rpm
Service Factor	1.75	Phase	1
Efficiency	64 %	Duty	Continuous
Insulation Class	B	Design Code	NO DESIGN CODE
KVA Code	L	Frame	56J
Enclosure	Drip Proof	Overload Protector	Automatic
Ambient Temperature	40 °C	Drive End Bearing Size	6203
Opp Drive End Bearing Size	6203	UL	Recognized
CSA	Y	CE	Y
IP Code	22		

Technical Specifications

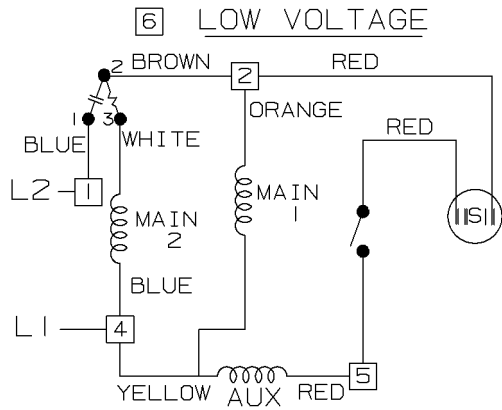
Electrical Type	Capacitor Start Induction Run	Starting Method	Across The Line
Poles	2	Rotation	Fixed Clockwise
Mounting	Rigid base	Motor Orientation	Horizontal Or Shaft Down
Drive End Bearing	Ball	Opp Drive End Bearing	Ball
Frame Material	Rolled Steel	Shaft Type	J
Overall Length	10.94 in	Frame Length	6.50 in
Shaft Diameter	0.625 in	Shaft Extension	2.56 in
Assembly/Box Mounting	F1 Only		
Outline Drawing	A-SS75914-650	Connection Diagram	A-EE9002V

This is an uncontrolled document once printed or downloaded and is subject to change without notice. Date Created: 06/29/2018

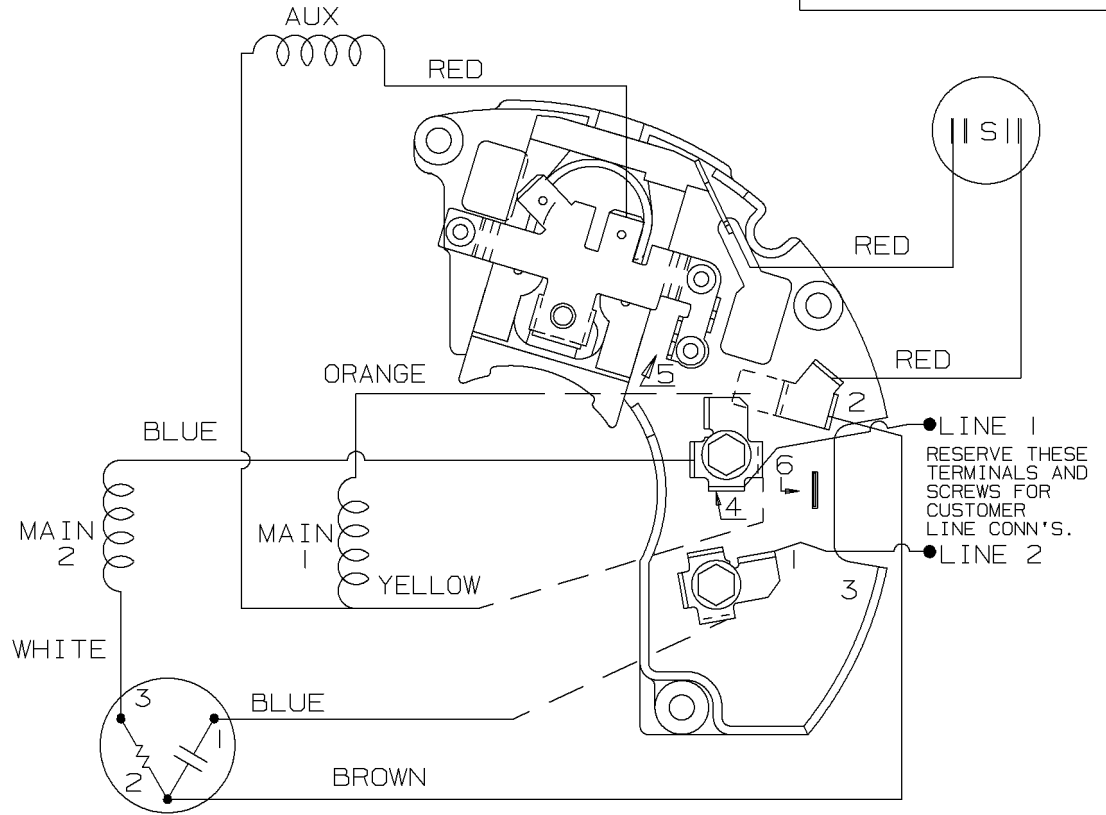
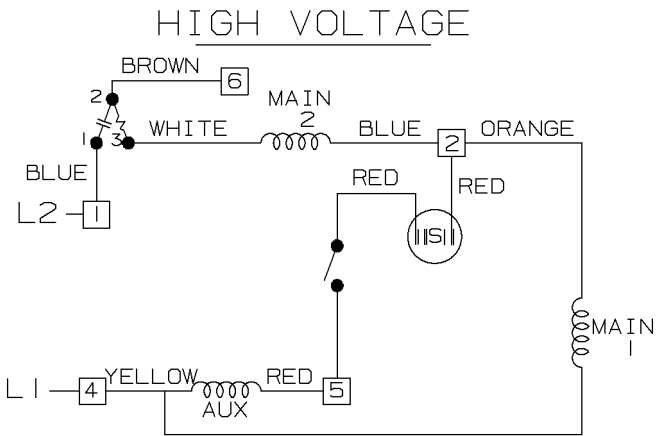


DASH		C	AG		DASH		C	AG		DASH		C	AG	
625		10.69	8.12		700		11.44	8.88		775		12.19	9.62	
650		10.94	8.38		725		11.69	9.12						
675		11.19	8.62		750		11.94	9.38						

				TOLERANCES UNLESS SPECIFIED		MARATHON ELECTRIC	DRAWN DD 06-30-1993					
				DEC.	INCHES		CHK	MOL	07-01-1993			
5	UPDATED DRAWING			TJW	04/20/2007	TITLE OUTLINE	APPD MB 07-01-1993					
4	REDRAWN IN AUTOCAD			TAT	07-13-2004		SCALE 3=8					
3	ADDED NEW FRONT BRACKET CN 20124			RJM	04-04-1995		REF					
2	PHANTOM DRIPCOVER - ADDED SLINGER CN 16315			KL	09-28-1993		FMF					
1	NEW DRAWING 4041651			DD	07-02-1993		PREV					
NO.	REVISION			BY & DATE	CHK	ANG	±7'30"					
THIS DRAWING IN DESIGN AND DETAIL IS OUR PROPERTY AND MUST NOT BE USED EXCEPT IN CONNECTION WITH OUR WORK ALL RIGHTS OF DESIGN AND INVENTION ARE RESERVED THIS IS AN ELECTRONICALLY GENERATED DOCUMENT - DO NOT SCALE THIS PRINT				RFP	CAD FILE ss75914			SIZE	DRAWING NO.	PAGE	OF	REV.
				DIST	WP			A	SS75914			5

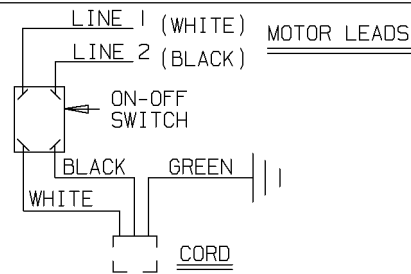


DUAL VOLTAGE
CAP. START NOT REVERSIBLE
WITH OVERLOAD PROTECTION.



RESERVE THESE
TERMINALS AND
SCREWS FOR
CUSTOMER
LINE CONN'S.

USE WHEN CONNECTING CORD AND SWITCH
INSIDE CONDUIT BOX.



VIEWING TERM END

LOW VOLTAGE CW ROTATION SHOWN.

FOR HIGH VOLTAGE
CONNECT BROWN TERM 2 TO TERM 6.
CONNECT BLUE TERM 4 TO TERM 2.

DASH LINES INDICATE LEADS CONNECTED
TO MOTOR SIDE OF SWITCH.

3	01-28-1991	REVISED LINE 2 LOCATION	RM	✓ MAX. SURFACE ROUGHNESS UNLESS NOTED OTHERWISE	UNLESS OTHERWISE SPECIFIED DIMENSIONS ARE IN INCHES TOL. ON XX± XXX±.005 XXXX±.0005 ANGLES±
2	01-04-1991	ADDED CORD - SWITCH CONNECTION	SMC	MATL SPEC	DRAWN BY SMC 12-11-1990
1	112-11-1990	NEW DRAWING	SMC	FINISH	CHKD BY ML 12-11-1990
REV	DATE	CHANGE	NAME	REFERENCE DRW.	APPD BY GK 12-11-1990
			PART NAME CONNECTION DIAGRAM 48 FR. DUAL VOLTAGE NOT REVERSIBLE		DRWG NO A-EE9002V

SHOP BOOK

PURCHASED

DISTRIBUTION - WA - LB - WP - LM - BR

CADD FILE NO.

EE9002V

```
ERROR: syntaxerror
OFFENDING COMMAND: --nostringval--
STACK :
  /im
  -savelevel -
```

