

PRODUCT INFORMATION PACKET

marathon[®]
Motors

Model No: 056C34D2112
Catalog No: O215
3/4,3450,DP,56C,1/60/115/208-230
Single Phase



Regal and Marathon are trademarks of Regal Beloit Corporation or one of its affiliated companies.
©2018 Regal Beloit Corporation, All Rights Reserved. MC017097E

REGAL[®]



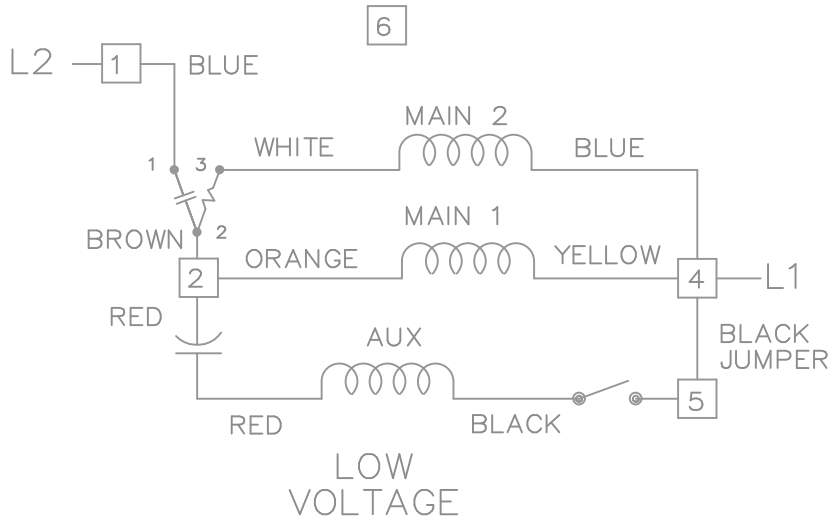
Nameplate Specifications

Output HP	0.75 Hp	Output KW	0.56 kW
Frequency	60 Hz	Voltage	115/208-230 V
Current	9.8/4.8-4.9 A	Speed	3450 rpm
Service Factor	1.5	Phase	1
Efficiency	70 %	Duty	Continuous
Insulation Class	B	Design Code	NO DESIGN CODE
KVA Code	J	Frame	56C
Enclosure	Drip Proof	Overload Protector	Manual
Ambient Temperature	40 °C	Drive End Bearing Size	6203
Opp Drive End Bearing Size	6203	UL	Recognized
CSA	Y	CE	N
IP Code	22		

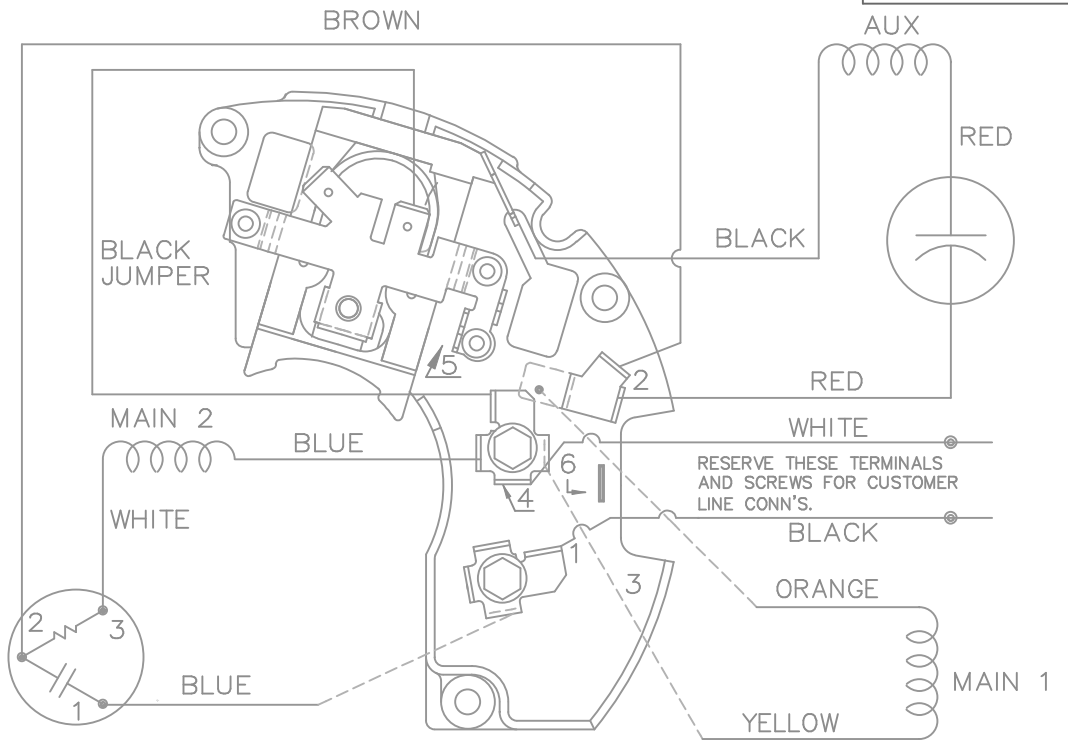
Technical Specifications

Electrical Type	Capacitor Start Induction Run	Starting Method	Across The Line
Poles	2	Rotation	Selective Counterclockwise
Mounting	Round	Motor Orientation	Horizontal
Drive End Bearing	Ball	Opp Drive End Bearing	Ball
Frame Material	Rolled Steel	Shaft Type	T
Overall Length	10.94 in	Frame Length	7.00 in
Shaft Diameter	0.625 in	Shaft Extension	2.06 in
Assembly/Box Mounting	F1 Only		
Outline Drawing	A-SS75606-700	Connection Diagram	A-EE9002M

This is an uncontrolled document once printed or downloaded and is subject to change without notice. Date Created: 06/29/2018

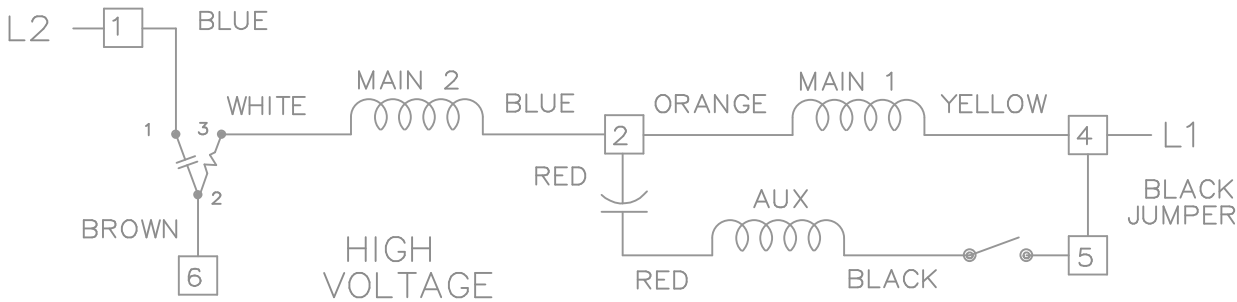


DUAL VOLTAGE CAPACITOR START REVERSIBLE ON TERM BOARD WITH OVERLOAD PROTECTION



VIEWING TERM END

LOW VOLTAGE CCW ROTATION SHOWN.



FOR HIGH VOLTAGE CONNECT BROWN TERM 2 TO TERM 6. CONNECT BLUE TERM 4 TO TERM 2.

TO REVERSE ROTATION EITHER VOLTAGE INTERCHANGE RED LEAD WITH BLACK LEAD.

				TOLERANCES UNLESS SPECIFIED		MARATHON ELECTRIC	DRAWN BW 02-22-1990						
				DEC.	INCHES		CHK	ML	02-22-1990				
				.X	± -	TITLE CONNECTION DIAGRAM 48 FR. DUAL VOLTAGE REVERSIBLE	APPD	GK	02-22-1990	SCALE	1=1		
3	ROUTING OF BLACK JUMPER	CN 35440	BJK 08-20-2002	.XX	± -		REF			FMF			
2	REVISED BLACK LINE LOCATION	CN 6427	RM 01-28-1991	.XXX	± -					PREV			
1	NEW DRAWING		BW 02-22-1990	.XXXX	± -		MAT'L.						
NO.	REVISION	BY & DATE		CHK	ANG	FINISH <th colspan="2"></th> <th>SIZE</th> <th>DRAWING NO.</th> <th>PAGE</th> <th>OF</th> <th>REV.</th>			SIZE	DRAWING NO.	PAGE	OF	REV.
THIS DRAWING IN DESIGN AND DETAIL IS OUR PROPERTY AND MUST NOT BE USED EXCEPT IN CONNECTION WITH OUR WORK ALL RIGHTS OF DESIGN AND INVENTION ARE RESERVED THIS IS AN ELECTRONICALLY GENERATED DOCUMENT - DO NOT SCALE THIS PRINT				RFP		CAD FILE EE9002M	A	EE9002M					3
				DIST	WP								

