

# PRODUCT INFORMATION PACKET

**marathon**<sup>®</sup>  
Motors

Model No: 056C34D2105  
Catalog No: O217  
1,3600,DP,56C,1/60/115/208-230  
Single Phase



Regal and Marathon are trademarks of Regal Beloit Corporation or one of its affiliated companies.  
©2018 Regal Beloit Corporation, All Rights Reserved. MC017097E

**REGAL**<sup>®</sup>



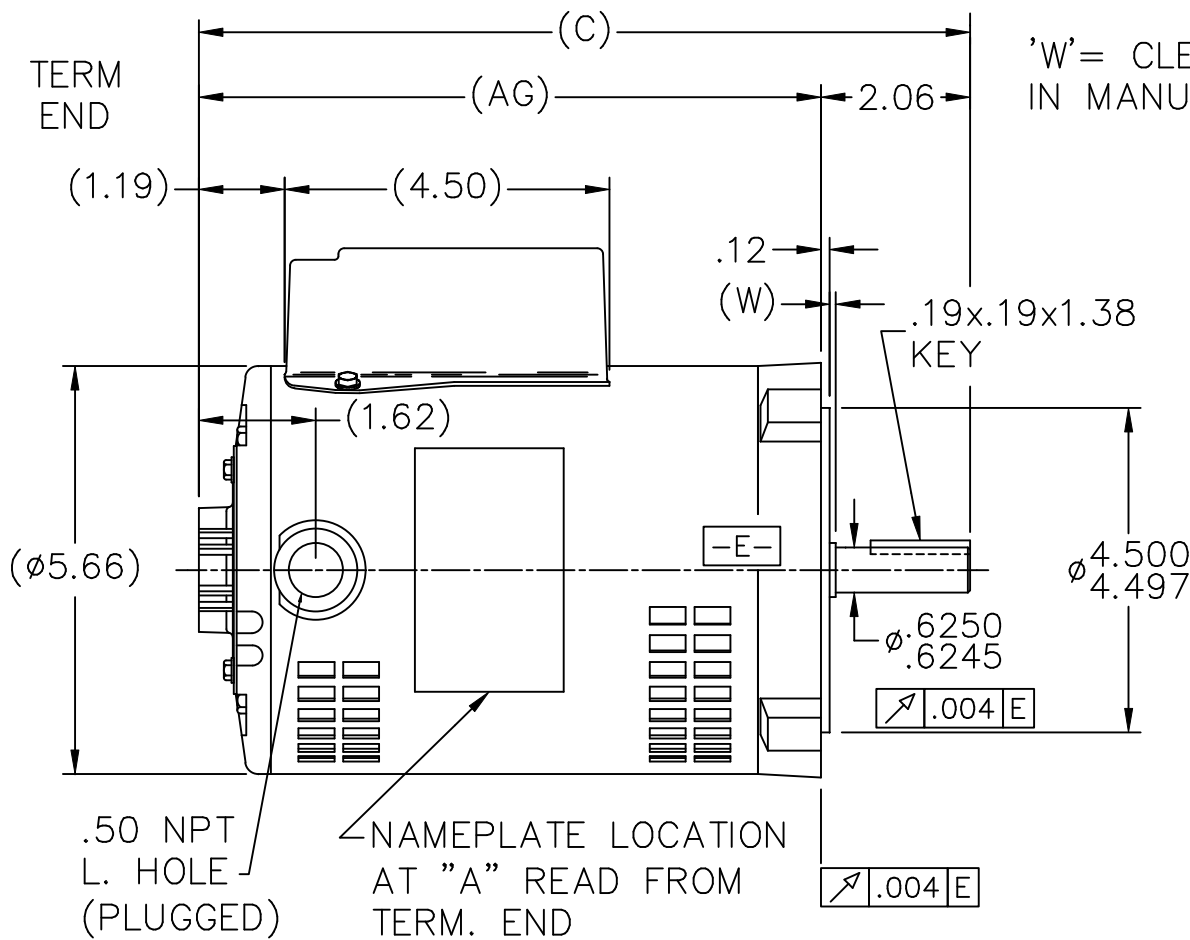
### Nameplate Specifications

Output HP	<b>1 Hp</b>	Output KW	<b>0.75 kW</b>
Frequency	<b>60 Hz</b>	Voltage	<b>115/208-230 V</b>
Current	<b>12.0/6.2-6.0 A</b>	Speed	<b>3450 rpm</b>
Service Factor	<b>1.4</b>	Phase	<b>1</b>
Efficiency	<b>71.5 %</b>	Duty	<b>Continuous</b>
Insulation Class	<b>B</b>	Design Code	<b>NO DESIGN CODE</b>
KVA Code	<b>K</b>	Frame	<b>56C</b>
Enclosure	<b>Drip Proof</b>	Overload Protector	<b>Manual</b>
Ambient Temperature	<b>40 °C</b>	Drive End Bearing Size	<b>6203</b>
Opp Drive End Bearing Size	<b>6203</b>	UL	<b>Recognized</b>
CSA	<b>Y</b>	CE	<b>Y</b>
IP Code	<b>22</b>		

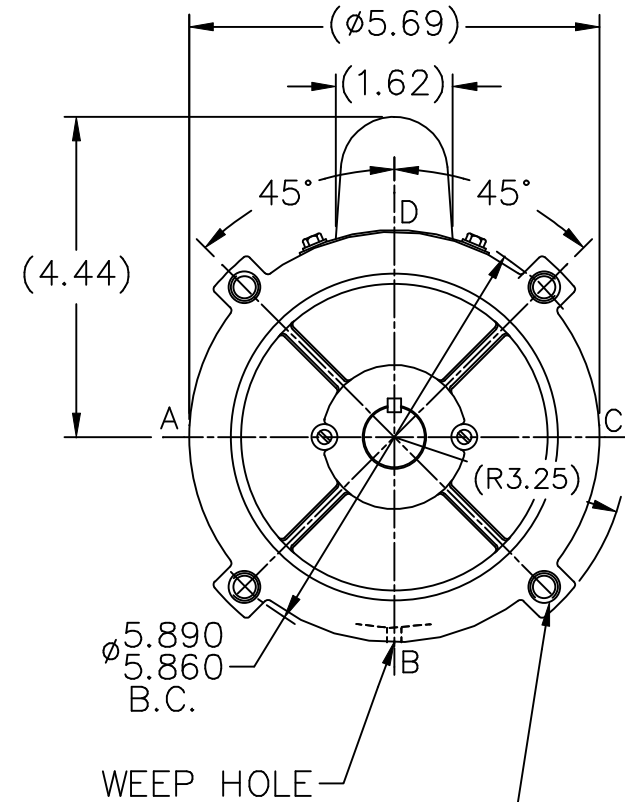
### Technical Specifications

Electrical Type	<b>Capacitor Start Induction Run</b>	Starting Method	<b>Across The Line</b>
Poles	<b>2</b>	Rotation	<b>Selective Counterclockwise</b>
Mounting	<b>Round</b>	Motor Orientation	<b>Horizontal</b>
Drive End Bearing	<b>Ball</b>	Opp Drive End Bearing	<b>Ball</b>
Frame Material	<b>Rolled Steel</b>	Shaft Type	<b>T</b>
Overall Length	<b>11.94 in</b>	Frame Length	<b>8.00 in</b>
Shaft Diameter	<b>0.625 in</b>	Shaft Extension	<b>2.06 in</b>
Assembly/Box Mounting	<b>F1 Only</b>		
Outline Drawing	<b>A-SS75633-800</b>	Connection Diagram	<b>A-EE9002M</b>

This is an uncontrolled document once printed or downloaded and is subject to change without notice. Date Created: 06/29/2018



'W' = CLEARANCE ALLOWED FOR ALL VARIANCES IN MANUFACTURING & ASSEMBLY



DASH	FR	C	AG		DASH	FR	C	AG	
625	48	10.19	8.12		725	48	11.19	9.13	
675	48	10.69	8.63		775	48	11.69	9.63	
700	48	10.94	8.88		800	48	11.94	9.88	

NO.	REVISION	BY & DATE	CHK	ANG	TOLERANCES UNLESS SPECIFIED	
					DEC.	INCHES
4	UPDATED DRAWING	TJW 04/20/2007		.X	±.1	
3	REDRAWN IN AUTOCAD	TAT 05-19-2005	ML	.XX	±.03	
2	ADDED NEW FRONT BRACKET CN 20124	RJM 04-04-1995		.XXX	±.005	
1	NEW DRAWING 3982118	RM 12-30-1992		.XXXX	±.0005	
					±7'30"	

**MARATHON ELECTRIC**

TITLE OUTLINE

MAT'L.

FINISH

RFP

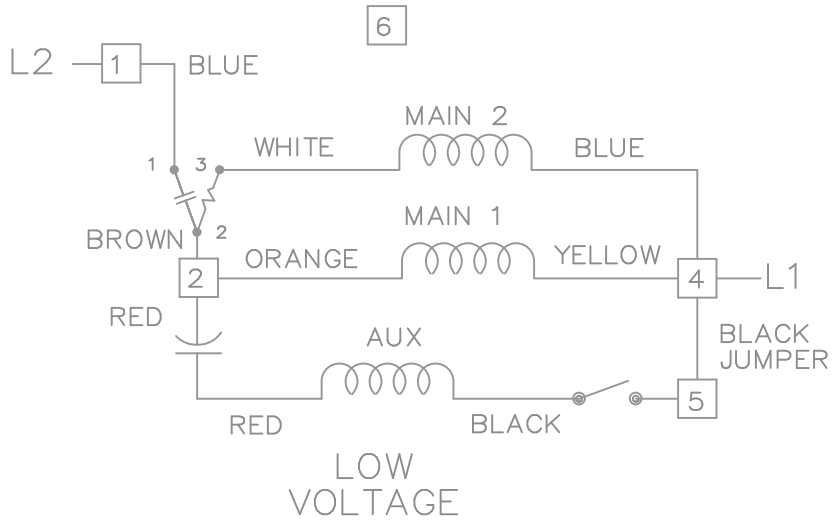
DIST WP

CAD FILE ss75633

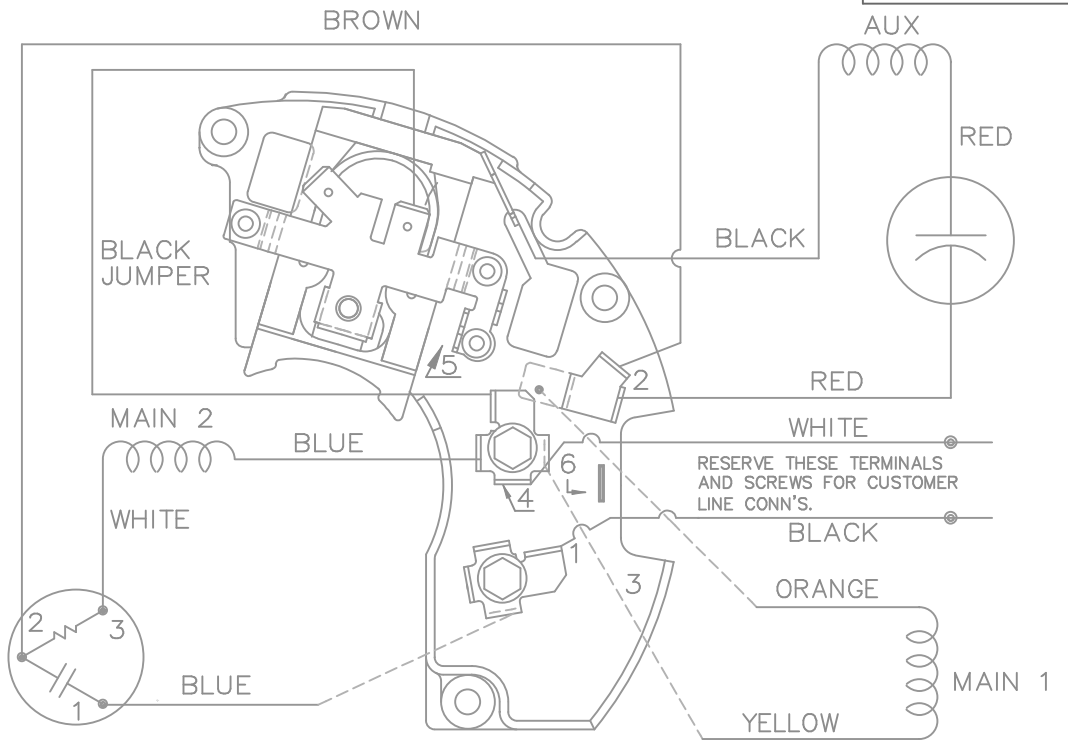
SIZE A

DRAWN	RM 12-21-1992
CHK	MOL 12-21-1992
APPD	GK 12-21-1992
SCALE	3=8
REF	
FMF	
PREV	
DRAWING NO.	SS75633
PAGE	OF
REV.	4

```
ERROR: syntaxerror
OFFENDING COMMAND: --nostringval--
STACK :
  /im
  -savelevel -
```

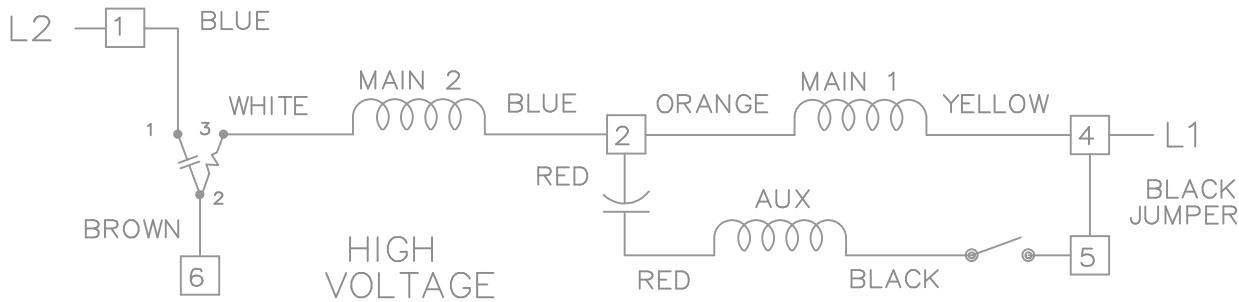


DUAL VOLTAGE CAPACITOR START REVERSIBLE ON TERM BOARD WITH OVERLOAD PROTECTION



VIEWING TERM END

LOW VOLTAGE CCW ROTATION SHOWN.



FOR HIGH VOLTAGE CONNECT BROWN TERM 2 TO TERM 6. CONNECT BLUE TERM 4 TO TERM 2.

TO REVERSE ROTATION EITHER VOLTAGE INTERCHANGE RED LEAD WITH BLACK LEAD.

				TOLERANCES UNLESS SPECIFIED		MARATHON ELECTRIC	DRAWN BW 02-22-1990						
				DEC.	INCHES		CHK	ML	02-22-1990				
				.X	± -	TITLE CONNECTION DIAGRAM 48 FR. DUAL VOLTAGE REVERSIBLE	APPD	GK	02-22-1990	SCALE	1=1		
3	ROUTING OF BLACK JUMPER	CN 35440	BJK 08-20-2002	.XX	± -		MAT'L.	REF					
2	REVISED BLACK LINE LOCATION	CN 6427	RM 01-28-1991	.XXX	± -		FINISH	FMF					
1	NEW DRAWING		BW 02-22-1990	.XXXX	± -			PREV					
NO.	REVISION	BY & DATE		CHK	ANG	± -			SIZE	DRAWING NO.	PAGE	OF	REV.
THIS DRAWING IN DESIGN AND DETAIL IS OUR PROPERTY AND MUST NOT BE USED EXCEPT IN CONNECTION WITH OUR WORK ALL RIGHTS OF DESIGN AND INVENTION ARE RESERVED THIS IS AN ELECTRONICALLY GENERATED DOCUMENT - DO NOT SCALE THIS PRINT				RFP			CAD FILE EE9002M		A	EE9002M			3
				DIST	WP								

CERTIFICATION DATA SHEET

Model#: 56C34D2105 F WINDING#: CE482193 NONE 3  
 CONN. DIAGRAM: A-EE9002M ASSEMBLY: F1 ONLY  
 OUTLINE: A-SS75633-800

TYPICAL MOTOR PERFORMANCE DATA

HP	KW	SYNC. RPM	F.L. RPM	FRAME	ENCLOSURE	KVA CODE	DESIGN
1	.75	3600	3450	56C	DP	K	NO DESIGN CODE

PH	Hz	VOLTS	FL AMPS	START TYPE	DUTY	INSL	S.F	AMB°C	ELEVATION
1	60	115/208-230	12/6.2-6	ACROSS THE LINE	CONTINUOUS	B3	1.40	40	3300

FULL LOAD EFF: 71.5	3/4 LOAD EFF: 0	1/2 LOAD EFF: 0	GTD. EFF	ELEC. TYPE	NO LOAD AMPS
			0	CAP START IND RUN	7.6 / 3.8

F.L. TORQUE	LOCKED ROTOR AMPS	L.R. TORQUE	B.D. TORQUE	F.L. RISE°C
23.8 LB-FT	74.4 / 37.2	40.5 LB-FT -	65.9 LB-FT -	-

SOUND PRESSURE @ 3 FT.	SOUND POWER	ROTOR WK^2	MAX. WK^2	SAFE STALL TIME	STARTS /HOUR	APPROX. MOTOR WGT
0 dBA	10 dBA	0 LB-FT^2	0 LB-FT^2	10 SEC.	0	0 LBS.

\*\*\* SUPPLEMENTAL INFORMATION \*\*\*

DE BRACKET TYPE	ODE BRACKET TYPE	MOUNT TYPE	ORIENTATION	SEVERE DUTY	HAZARDOUS LOCATION	DRIP COVER	SCREENS	PAINT
C-FACE	STANDARD	ROUND	HORIZONTAL	FALSE	NONE	FALSE	NONE	GRAY (POWDER)

BEARINGS		GREASE	SHAFT TYPE	SPECIAL DE	SPECIAL ODE	SHAFT MATERIAL	FRAME MATERIAL
DE	OPE	POLYREX EM	T	NONE	NONE	1144 STRESSPROOF (C-223)	ROLLED STEEL
BALL	BALL						
6203	6203						

THERMO-PROTECTORS				THERMISTORS	CONTROL	SPACE /n HEATERS
THERMOSTATS	PROTECTORS	WDG RTDs	BRG RTDs			
NONE	MANUAL	NONE	NONE	NONE	FALSE	NONE VOLTS

If Inverter equals NONE, contact factory for further information

INVERTER TORQUE: NONE
INV. HP SPEED RANGE: NONE
ENCODER: NONE
NONE NONE
NONE NONE PPR
BRAKE: NONE NONE
NONE P/N NONE
NONE NONE
NONE FT-LB NONE V NONE Hz

\*  
N  
O  
T  
E  
S  
\*

DATE: 06/27/2017 07:40:15 AM  
 FORM 3531 REV.3 02/07/99  
 \*\* Subject to change without notice.