

PRODUCT INFORMATION PACKET

marathon[®]
Motors

Model No: 056C17F5957
Catalog No: G380
1/2, 1725, TEFC, 56C, 1/60/115/208-230
Pressure Washers



Regal and Marathon are trademarks of Regal Beloit Corporation or one of its affiliated companies.
©2018 Regal Beloit Corporation, All Rights Reserved. MC017097E

REGAL[®]



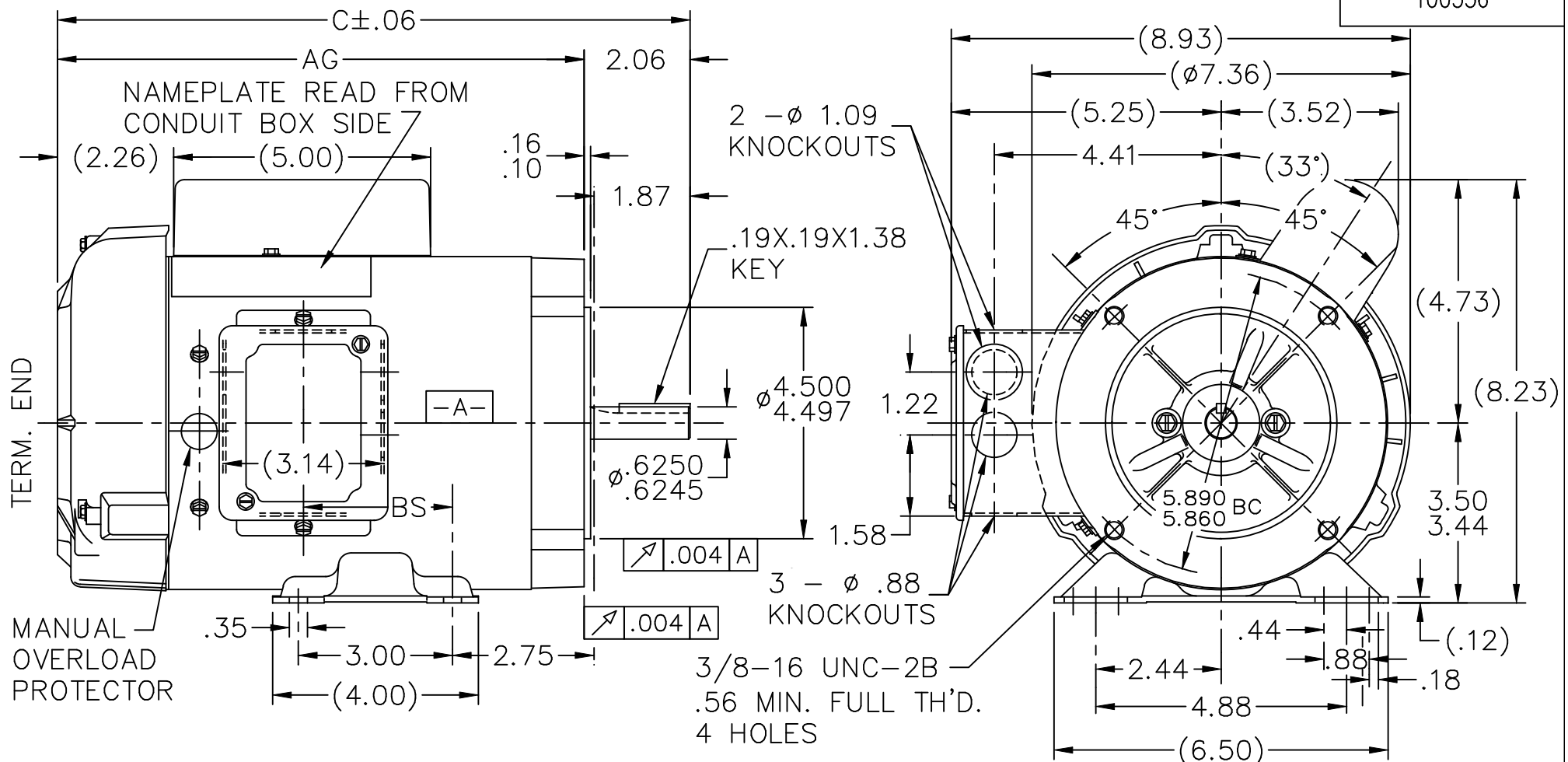
Nameplate Specifications

Output HP	0.50 Hp	Output KW	0.37 kW
Frequency	60 Hz	Voltage	115/208-230 V
Current	8.8/4.2-4.4 A	Speed	1725 rpm
Service Factor	1.15	Phase	1
Efficiency	66 %	Duty	Continuous
Insulation Class	B	Design Code	N
KVA Code	L	Frame	56C
Enclosure	Totally Enclosed Fan Cooled	Overload Protector	Manual
Ambient Temperature	40 °C	Drive End Bearing Size	6203
Opp Drive End Bearing Size	6203	UL	Recognized
CSA	Y	CE	N
IP Code	43		

Technical Specifications

Electrical Type	Capacitor Start Induction Run	Starting Method	Across The Line
Poles	4	Rotation	Selective Counterclockwise
Mounting	Rigid base	Motor Orientation	Horizontal
Drive End Bearing	Ball	Opp Drive End Bearing	Ball
Frame Material	Rolled Steel	Shaft Type	NEMA 56
Overall Length	11.82 in	Shaft Diameter	0.625 in
Shaft Extension	1.88 in	Assembly/Box Mounting	F1 Only
Outline Drawing	A-100336-656	Connection Diagram	102005-52

This is an uncontrolled document once printed or downloaded and is subject to change without notice. Date Created: 06/29/2018



DASH	FRAME	C	AG	BS	DASH	FRAME	C	AG	BS
					806	56-80	13.32	11.25	3.90
656	56-65	11.82	9.75	2.40	856	56-85	13.82	11.75	4.40
706	56-70	12.32	10.25	2.90					
756	56-75	12.82	10.75	3.40					

NOTES:
1. CONDUIT BOX CAN BE ROTATED 180°.

NO.	REVISION	BY & DATE	TOLERANCES UNLESS SPECIFIED		CHK	ANG
			DEC.	INCHES		
3	UPDATED DRAWING	RJW 03-28-2007	.XX	±.03		
2	REDRAWN IN AUTOCAD	TAT 06-24-2005	DRS	.XXX	±.005	
1	NEW DRAWING 3598240	GK 05-30-1989		.XXXX	±.0005	
				ANG	±7'30"	

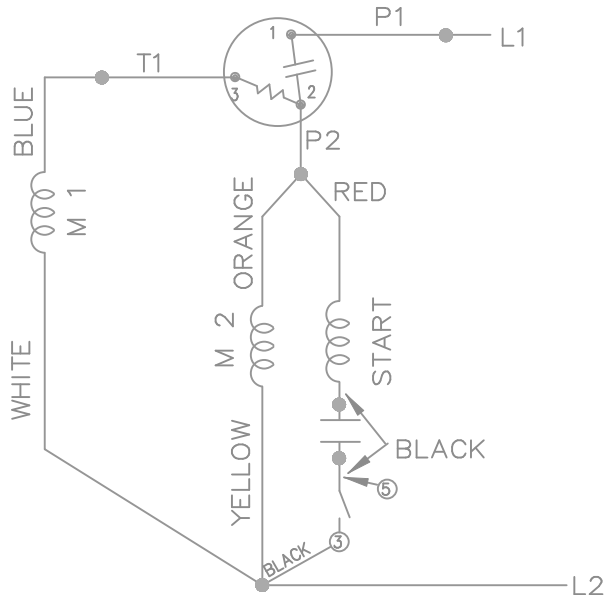
TITLE OUTLINE
56 FR. - BB - TEFC - C' FACE - 1°

MAT'L.

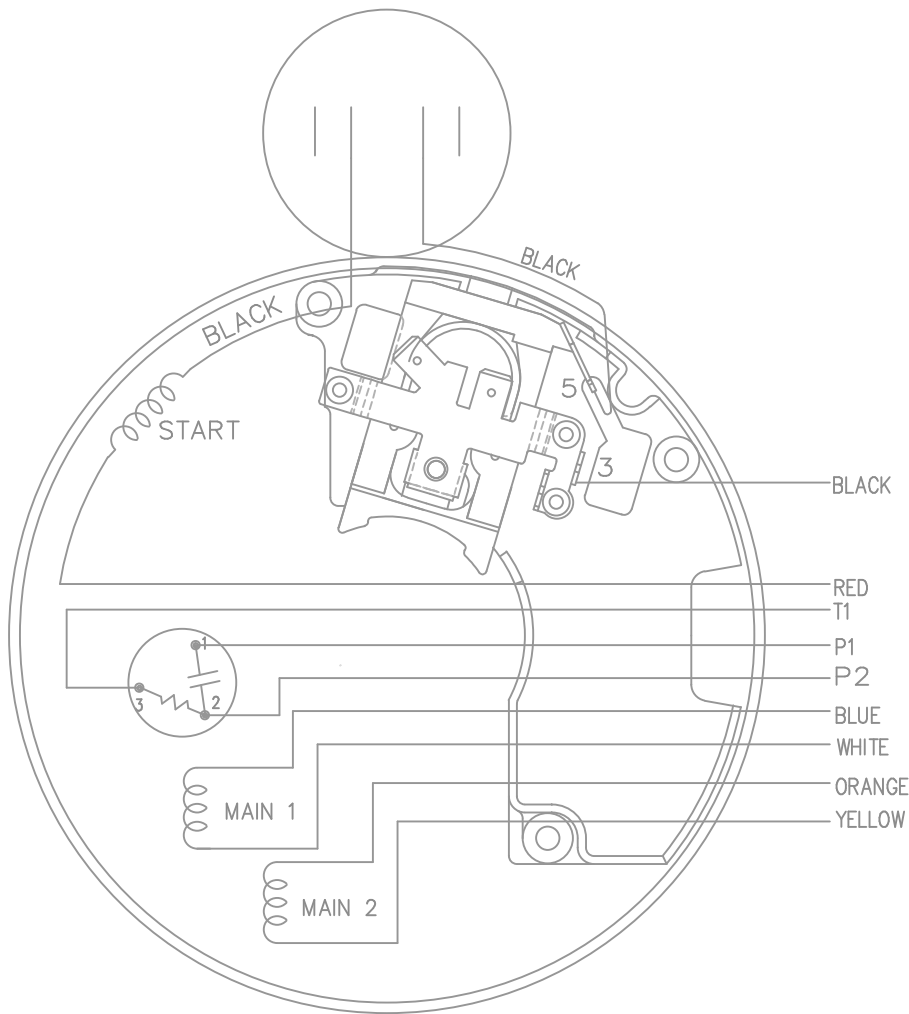
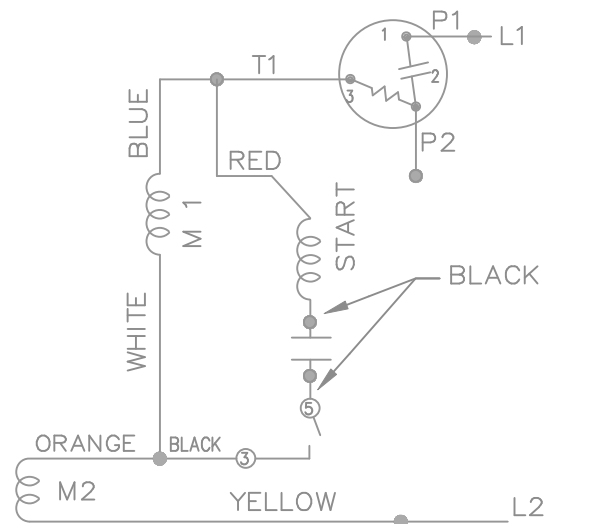
FINISH

DRAWN	GK 05-30-1989
CHK	ML 05-30-1989
APPD	FG 05-30-1989
SCALE	11=32
REF	
FMF	
PREV	

LOW VOLTAGE - CCW

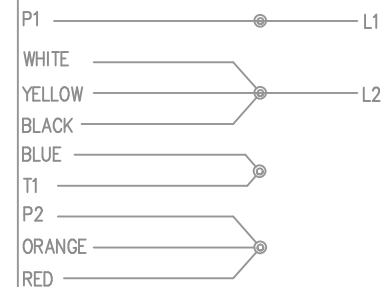


HIGH VOLTAGE - CCW

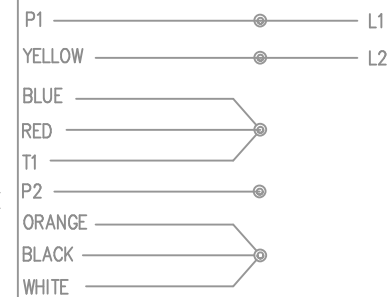


DUAL VOLTAGE
CAPACITOR START
OVERLOAD
SELECT ROTATION

LOW VOLT. CCW ROT.



HIGH VOLT. CCW ROT.



FOR CW ROTATION
EITHER VOLTAGE
INTERCHANGE RED
WITH BLACK

			TOLERANCES UNLESS SPECIFIED		MARATHON ELECTRIC	DRAWN BRH 02-29-1996		
			DEC.	INCHES		CHK ML 03-06-1996	APPD GK 03-06-1996	
			.X	±.1	TITLE CONNECTION DIAGRAM	SCALE	5=8	
6	REISSUE	BRH 03-13-1996	.XXX	±.005		REF		
5	REDRAWN ON CADD	BRH 03-06-1996	.XXXX	±.0005		MAT'L.	FMF	
NO.	REVISION	BY & DATE	CHK	ANG	FINISH	PREV		
THIS DRAWING IN DESIGN AND DETAIL IS OUR PROPERTY AND MUST NOT BE USED EXCEPT IN CONNECTION WITH OUR WORK ALL RIGHTS OF DESIGN AND INVENTION ARE RESERVED THIS IS AN ELECTRONICALLY GENERATED DOCUMENT - DO NOT SCALE THIS PRINT			RFP		CAD FILE 102005-52	SIZE	DRAWING NO. PAGE OF REV.	
			DIST	WP		A	102005-52 6	

CERTIFICATION DATA SHEET

Model#: 56C17F5957 B WINDING#: ZC404 NONE 3
 CONN. DIAGRAM: 102005-52 ASSEMBLY: F1 ONLY
 OUTLINE: A-100336-656

TYPICAL MOTOR PERFORMANCE DATA

HP	KW	SYNC. RPM	F.L. RPM	FRAME	ENCLOSURE	KVA CODE	DESIGN
1/2	0.37	1800	1725	56C	TEFC	L	N

PH	Hz	VOLTS	FL AMPS	START TYPE	DUTY	INSL	S.F	AMB°C	ELEVATION
1	60	115/208-230	8.8/4.2-4.4	ACROSS THE LINE	CONTINUOUS	B3	1.15	40	3300

FULL LOAD EFF: 66	3/4 LOAD EFF: 58.3	1/2 LOAD EFF: 54.3	GTD. EFF	ELEC. TYPE	NO LOAD AMPS
FULL LOAD PF: 58	3/4 LOAD PF: 50.3	1/2 LOAD PF: 40.5	0	CAP START IND RUN	7 / 3.5

F.L. TORQUE	LOCKED ROTOR AMPS	L.R. TORQUE	B.D. TORQUE	F.L. RISE°C
24.1 LB-FT	42.6 / 21.3	83.8 LB-FT -	72.3 LB-FT -	55

SOUND PRESSURE @ 3 FT.	SOUND POWER	ROTOR WK^2	MAX. WK^2	SAFE STALL TIME	STARTS /HOUR	APPROX. MOTOR WGT
- dBA	- dBA	0 LB-FT^2	- LB-FT^2	10 SEC.	-	0 LBS.

*** SUPPLEMENTAL INFORMATION ***

DE BRACKET TYPE	ODE BRACKET TYPE	MOUNT TYPE	ORIENTATION	SEVERE DUTY	HAZARDOUS LOCATION	DRIP COVER	SCREENS	PAINT
C-FACE	BRAKE	RIGID	HORIZONTAL	FALSE	NONE	FALSE	NONE	GRAY (POWDER)

BEARINGS		GREASE	SHAFT TYPE	SPECIAL DE	SPECIAL ODE	SHAFT MATERIAL	FRAME MATERIAL
DE	OPE						
BALL	BALL	POLYREX EM	STANDARD 56	NONE	NONE	1144 STRESSPROOF (C-223)	ROLLED STEEL
6203	6203						

THERMO-PROTECTORS				THERMISTORS	CONTROL	SPACE /n HEATERS
THERMOSTATS	PROTECTORS	WDG RTDs	BRG RTDs			
NONE	MANUAL	NONE	NONE	NONE	FALSE	NONE VOLTS

If Inverter equals NONE, contact factory for further information

INVERTER TORQUE: NONE
INV. HP SPEED RANGE: NONE
ENCODER: NONE
NONE NONE
NONE NONE PPR
BRAKE: PROVISIONS FOR KIT NONE
NONE P/N NONE
NONE NONE
NONE FT-LB NONE V NONE Hz

*
N
O
T
E
S
*

DATE: 06/27/2017 07:16:26 AM
 FORM 3531 REV.3 02/07/99
 ** Subject to change without notice.