

PRODUCT INFORMATION PACKET

marathon[®]
Motors

Model No: 056C17F5956
Catalog No: G382
1,1725,TEFC,56C,1/60/115/208-230
Pressure Washers



Regal and Marathon are trademarks of Regal Beloit Corporation or one of its affiliated companies.
©2018 Regal Beloit Corporation, All Rights Reserved. MC017097E

REGAL[®]



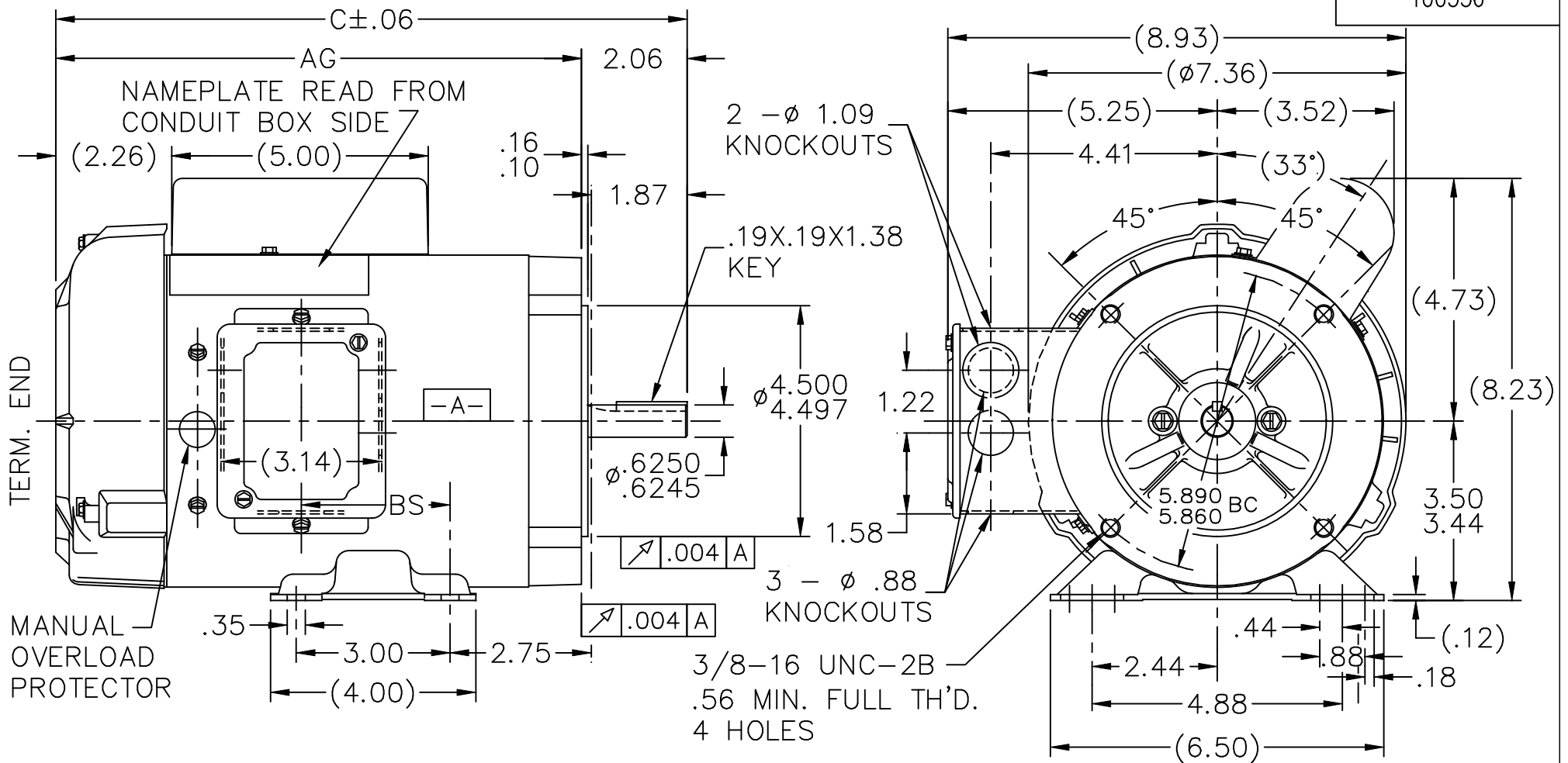
Nameplate Specifications

Output HP	1 Hp	Output KW	0.75 kW
Frequency	60 Hz	Voltage	115/208-230 V
Current	13.4/6.8-6.7 A	Speed	1725 rpm
Service Factor	1.15	Phase	1
Efficiency	72 %	Duty	Continuous
Insulation Class	B	Design Code	NO DESIGN CODE
KVA Code	J	Frame	56CZ
Enclosure	Totally Enclosed Fan Cooled	Overload Protector	Manual
Ambient Temperature	40 °C	Drive End Bearing Size	6203
Opp Drive End Bearing Size	6203	UL	Recognized
CSA	Y	CE	Y
IP Code	43		

Technical Specifications

Electrical Type	Capacitor Start Induction Run	Starting Method	Across The Line
Poles	4	Rotation	Selective Counterclockwise
Mounting	Rigid base	Motor Orientation	Horizontal
Drive End Bearing	Ball	Opp Drive End Bearing	Ball
Frame Material	Rolled Steel	Shaft Type	NEMA 56
Overall Length	12.82 in	Frame Length	7.56 in
Shaft Diameter	0.625 in	Shaft Extension	2.06 in
Assembly/Box Mounting	F1 Only		
Outline Drawing	A-100336-756	Connection Diagram	102005-52

This is an uncontrolled document once printed or downloaded and is subject to change without notice. Date Created: 06/29/2018

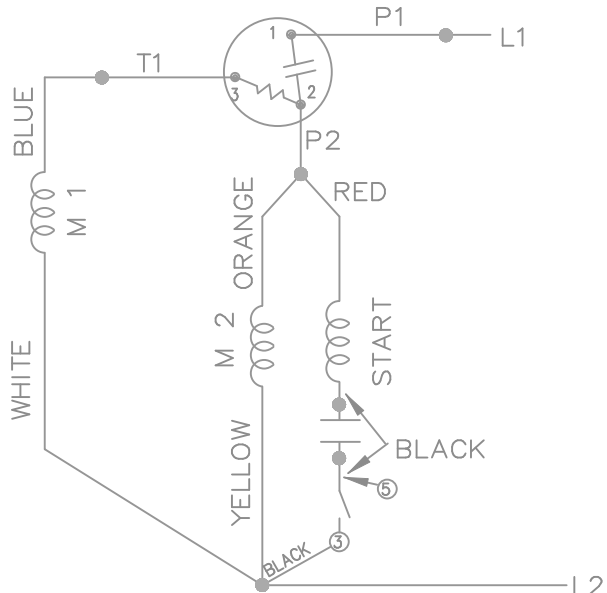


DASH	FRAME	C	AG	BS	DASH	FRAME	C	AG	BS
					806	56-80	13.32	11.25	3.90
656	56-65	11.82	9.75	2.40	856	56-85	13.82	11.75	4.40
706	56-70	12.32	10.25	2.90					
756	56-75	12.82	10.75	3.40					

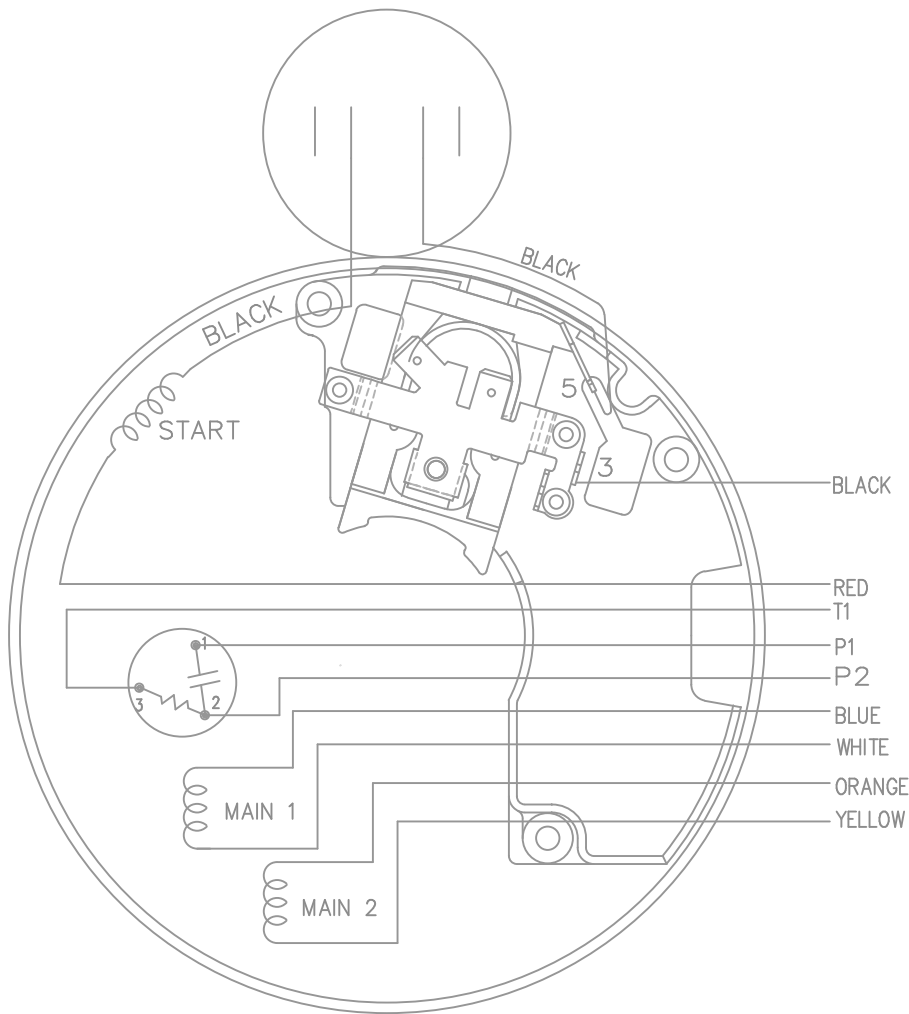
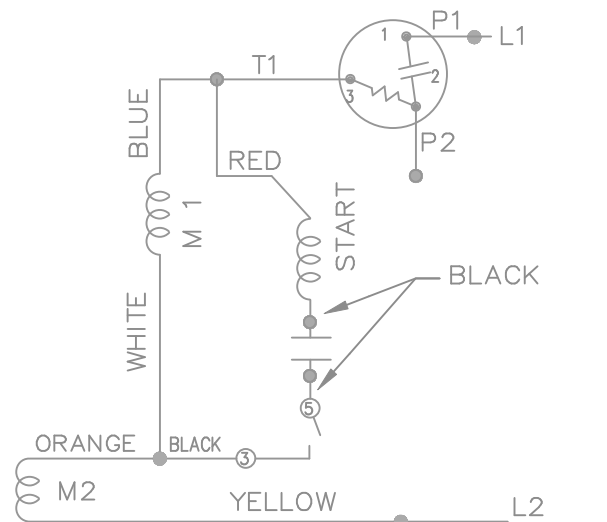
NOTES:
1. CONDUIT BOX CAN BE ROTATED 180°.

		TOLERANCES UNLESS SPECIFIED		MARATHON ELECTRIC		DRAWN GK 05-30-1989		
		DEC.	INCHES			CHK	ML 05-30-1989	
		.X	±.1			APPD	FG 05-30-1989	
3	UPDATED DRAWING	RJW	03-28-2007	.XX	±.03	SCALE 11=32		
2	REDRAWN IN AUTOCAD	TAT	06-24-2005	DRS	.XXX ±.005	REF		
1	NEW DRAWING 3598240	GK	05-30-1989	.XXXX	±.0005	FMF		
NO.	REVISION	BY & DATE	CHK	ANG	±'30"	FINISH	PREV	
THIS DRAWING IN DESIGN AND DETAIL IS OUR PROPERTY AND MUST NOT BE USED EXCEPT IN CONNECTION WITH OUR WORK ALL RIGHTS OF DESIGN AND INVENTION ARE RESERVED THIS IS AN ELECTRONICALLY GENERATED DOCUMENT - DO NOT SCALE THIS PRINT		RFP			CAD FILE	100336	SIZE	DRAWING NO. PAGE OF REV.
		DIST	WP			A	100336	3

LOW VOLTAGE - CCW

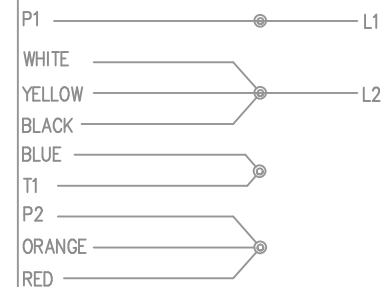


HIGH VOLTAGE - CCW

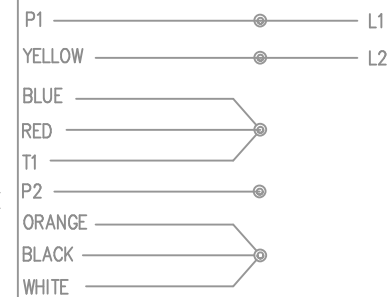


DUAL VOLTAGE
CAPACITOR START
OVERLOAD
SELECT ROTATION

LOW VOLT. CCW ROT.



HIGH VOLT. CCW ROT.



FOR CW ROTATION
EITHER VOLTAGE
INTERCHANGE RED
WITH BLACK

			TOLERANCES UNLESS SPECIFIED		MARATHON ELECTRIC	DRAWN BRH 02-29-1996			
			DEC.	INCHES		CHK ML 03-06-1996			
			.X	±.1	TITLE CONNECTION DIAGRAM	APPD GK 03-06-1996	SCALE 5=8		
6	REISSUE	BRH 03-13-1996	.XXX	±.005		REF			
5	REDRAWN ON CADD	BRH 03-06-1996	.XXXX	±.0005		MAT'L.	FMF		
NO.	REVISION	BY & DATE	CHK	ANG ±7'30"		FINISH	PREV		
THIS DRAWING IN DESIGN AND DETAIL IS OUR PROPERTY AND MUST NOT BE USED EXCEPT IN CONNECTION WITH OUR WORK ALL RIGHTS OF DESIGN AND INVENTION ARE RESERVED THIS IS AN ELECTRONICALLY GENERATED DOCUMENT - DO NOT SCALE THIS PRINT			RFP		CAD FILE 102005-52	SIZE A	DRAWING NO. 102005-52	PAGE OF	REV. 6
			DIST	WP					

