

PRODUCT INFORMATION PACKET

marathon[®]
Motors

Model No: 056C17F5350
Catalog No: T014
3/4, 1725, TEFC, 56, 1/60/115/208-230
Power Tools



Regal and Marathon are trademarks of Regal Beloit Corporation or one of its affiliated companies.
©2018 Regal Beloit Corporation, All Rights Reserved. MC017097E

REGAL[®]



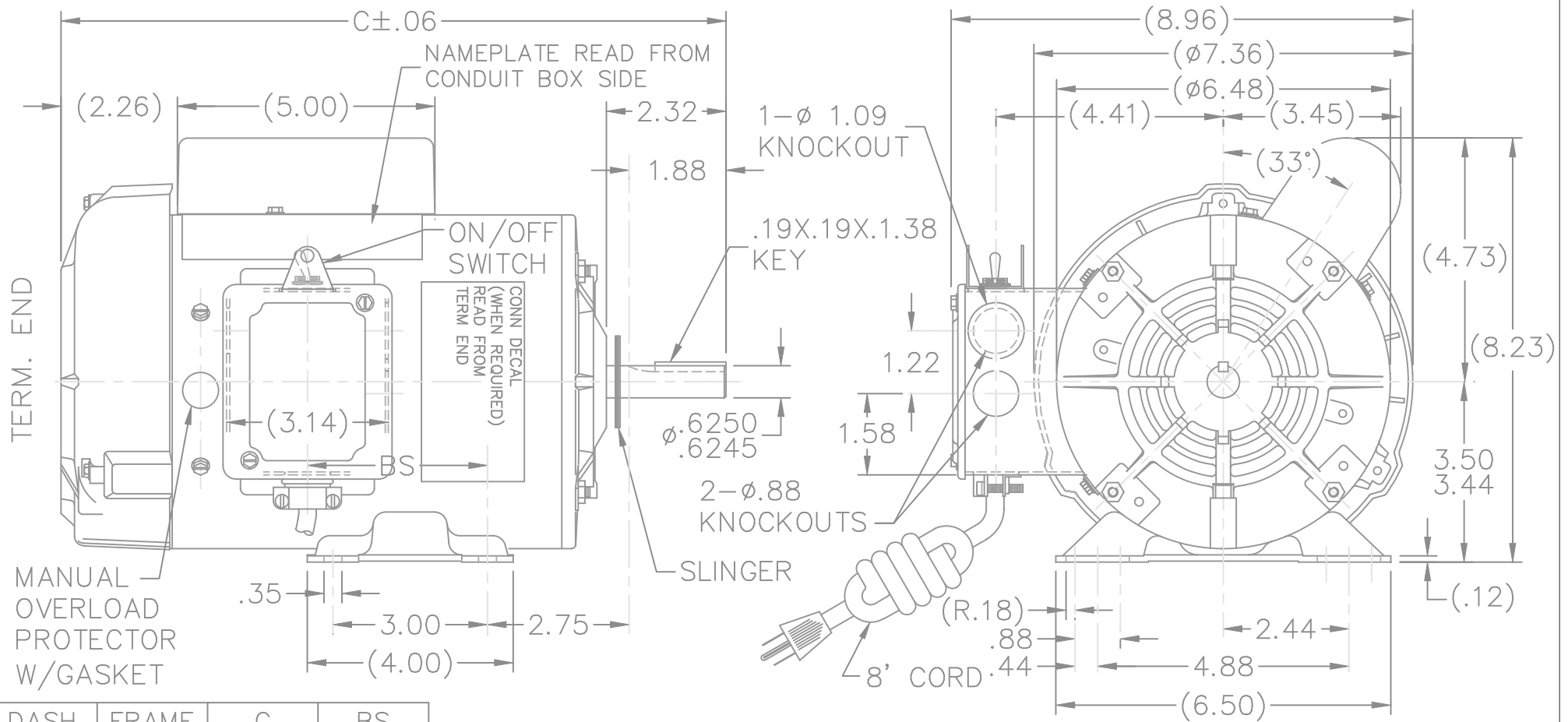
Nameplate Specifications

Output HP	0.75 Hp	Output KW	0.56 kW
Frequency	60 Hz	Voltage	115/208-230 V
Current	11.0/5.4-5.5 A	Speed	1725 rpm
Service Factor	1.15	Phase	1
Efficiency	71 %	Duty	Continuous
Insulation Class	B	Design Code	L
KVA Code	L	Frame	56
Enclosure	Totally Enclosed Fan Cooled	Overload Protector	Manual
Ambient Temperature	40 °C	Drive End Bearing Size	6203
Opp Drive End Bearing Size	6203	UL	Recognized
CSA	Y	CE	Y
IP Code	43		

Technical Specifications

Electrical Type	Capacitor Start Induction Run	Starting Method	Across The Line
Poles	4	Rotation	Selective Counterclockwise
Mounting	Rigid base	Motor Orientation	Horizontal
Drive End Bearing	Ball	Opp Drive End Bearing	Ball
Frame Material	Rolled Steel	Shaft Type	T
Overall Length	12.32 in	Shaft Diameter	0.625 in
Shaft Extension	1.88 in	Assembly/Box Mounting	F1 Only
Outline Drawing	A-104239-706	Connection Diagram	102005-79

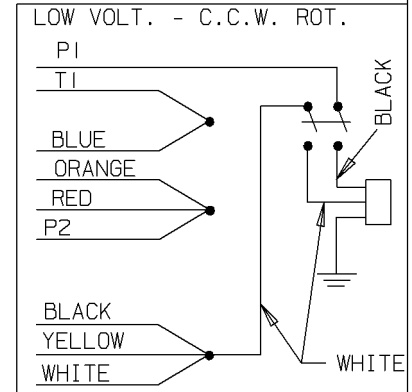
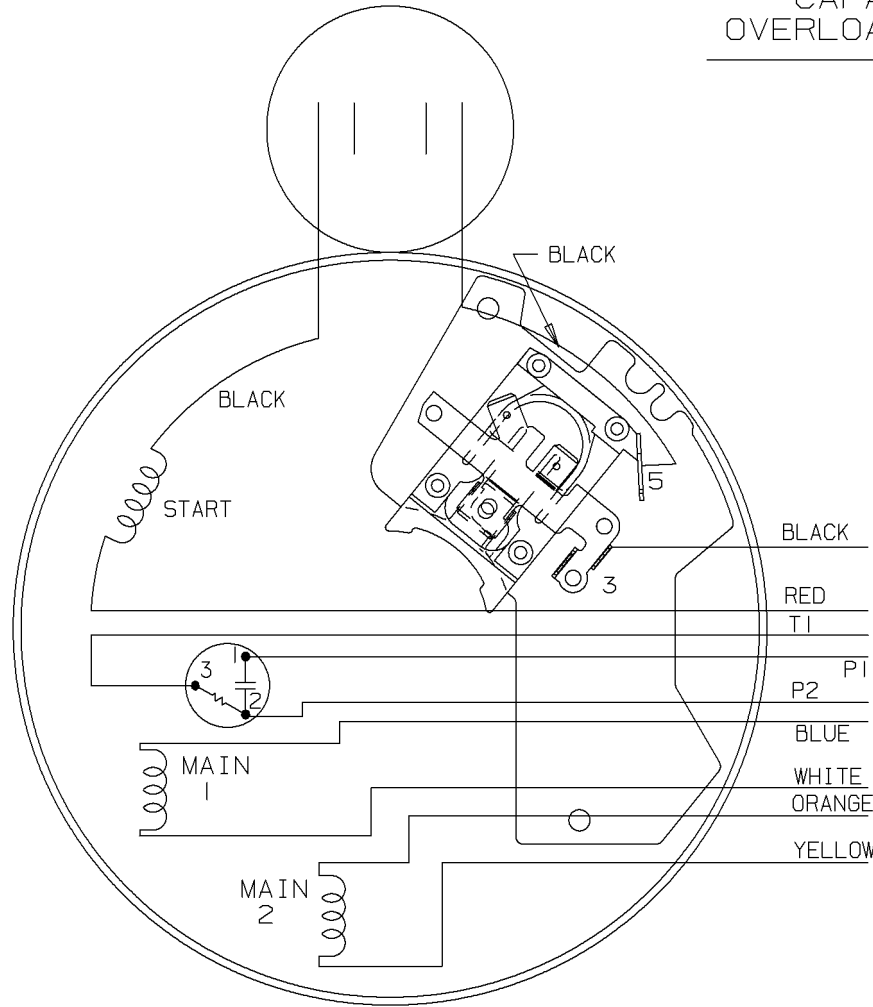
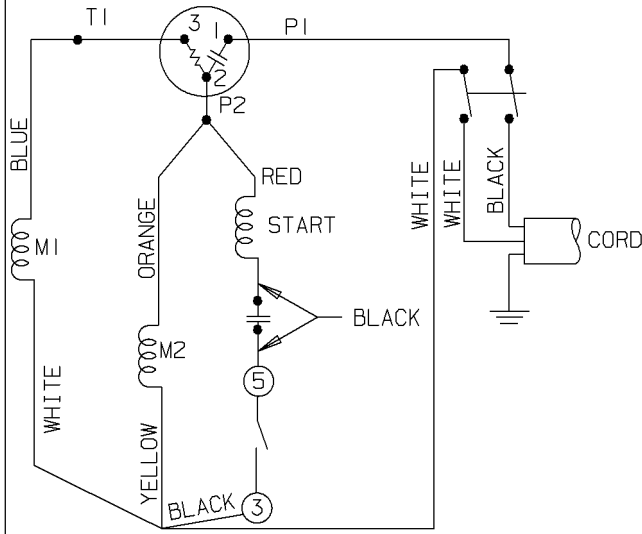
This is an uncontrolled document once printed or downloaded and is subject to change without notice. Date Created: 06/29/2018



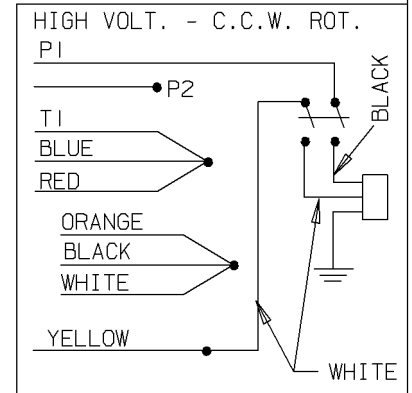
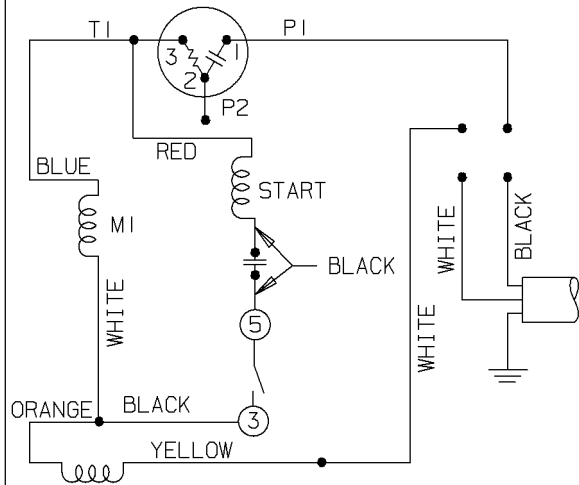
DASH	FRAME	C	BS
656	56-65	11.82	2.40
706	56-70	12.32	2.90
756	56-75	12.82	3.40

			TOLERANCES UNLESS SPECIFIED			DRAWN PGK 01-28-1997				
			DEC.	INCHES		CHK	ML	02-01-1997		
4	UPDATED DRAWING	RJW 03-29-2007	.X	±.1	TITLE OUTLINE 56 FR. - BB - TEFC - 1Ø MAT'L. FINISH	APPD	SAT	02-14-1997		
3	REDRAWN IN AUTOCAD	TAT 06-24-2005	DRS	.XX		±.03	SCALE		11=32	
2	REMOVED DRAIN HOLE CN 24300-116	PGK 03-19-1997		.XXX		±.005	REF			
1	NEW DRAWING MU12072	PGK 02-14-1997		.XXXX		±.0005	FMF			
NO.	REVISION	BY & DATE	CHK	ANG		±7'30"	PREV			
THIS DRAWING IN DESIGN AND DETAIL IS OUR PROPERTY AND MUST NOT BE USED EXCEPT IN CONNECTION WITH OUR WORK ALL RIGHTS OF DESIGN AND INVENTION ARE RESERVED THIS IS AN ELECTRONICALLY GENERATED DOCUMENT - DO NOT SCALE THIS PRINT			RFP	CAD FILE 104239		SIZE	DRAWING NO.	PAGE	OF	REV.
			DIST	WP	A		104239			4

DUAL VOLTAGE
CAPACITOR START
OVERLOAD SELECT ROT.



HIGH VOLTAGE - C.C.W.



FOR C.W. ROTATION
EITHER VOLTAGE
INTERCHANGE RED
WITH BLACK LEAD

				✓ MAX. SURFACE ROUGHNESS UNLESS NOTED OTHERWISE	UNLESS OTHERWISE SPECIFIED DIMENSIONS ARE IN INCHES TOL. ON XX± .02 XXX± .005 XXXX± .0005 ANGLES± 7'30"			
				MATL SPEC			DRAWN BY PGK	05-14-1996
				FINISH	MARATHON ELECTRIC		CHKD BY KL	07-18-1996
2	07-08-1996	REDRAWN ON CADD, NO CHANGES		PGK	WAUSAU, WISCONSIN 54401		APPD BY ML	07-08-1996
REV	DATE	CHANGE		NAME	PART NAME CONNECTION DIAGRAM		DRWG NO A- 102005-79	

SHOP BOOK

PURCHASED

DISTRIBUTION - WA - LB - WP - LM - BR

CADD FILE NO.

0200579

