

PRODUCT INFORMATION PACKET

marathon[®]
Motors

Model No: 056C17E5314
Catalog No: G639
1/4,1800,EPNV,56,1/60/115/208-230
Explosion Proof



Regal and Marathon are trademarks of Regal Beloit Corporation or one of its affiliated companies.
©2018 Regal Beloit Corporation, All Rights Reserved. MC017097E

REGAL[®]



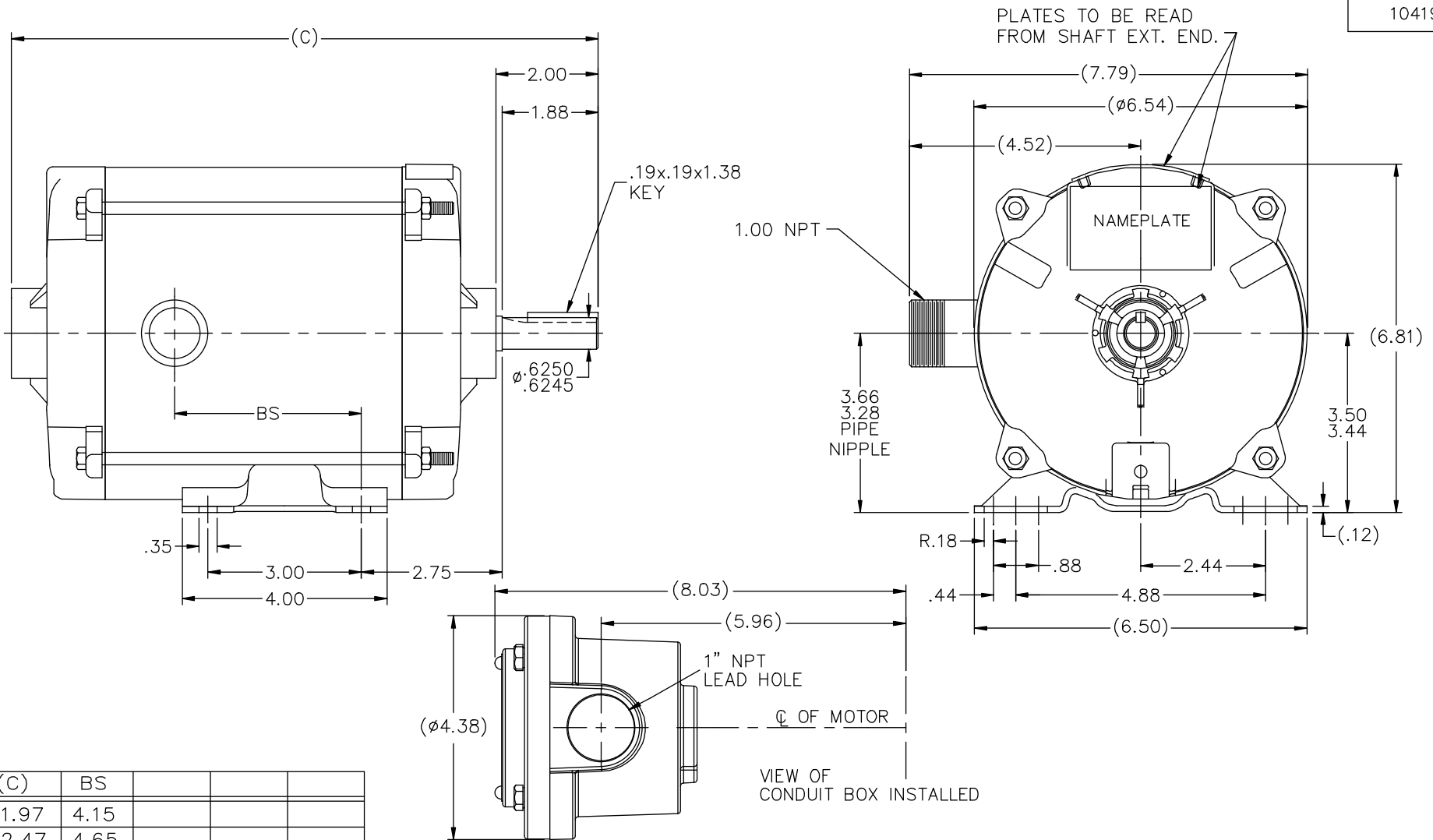
Nameplate Specifications

| | | | |
|----------------------------|---------------------------------------|------------------------|-----------------------|
| Output HP | 0.25 Hp | Output KW | 0.19 kW |
| Frequency | 60 Hz | Voltage | 115/208-230 V |
| Current | 4.8/2.3-2.4 A | Speed | 1725 rpm |
| Service Factor | 1 | Phase | 1 |
| Efficiency | 65 % | Duty | Continuous |
| Insulation Class | B | Design Code | NO DESIGN CODE |
| KVA Code | P | Frame | 56 |
| Enclosure | Explosion Proof Non Ventilated | Overload Protector | Automatic |
| Ambient Temperature | 40 °C | Drive End Bearing Size | 6203 |
| Opp Drive End Bearing Size | 6203 | UL | Recognized |
| CSA | N | CE | N |
| IP Code | 54 | | |

Technical Specifications

| | | | |
|-----------------------|--------------------------------------|-----------------------|-----------------------------------|
| Electrical Type | Capacitor Start Induction Run | Starting Method | Across The Line |
| Poles | 4 | Rotation | Selective Counterclockwise |
| Mounting | Rigid base | Motor Orientation | Horizontal |
| Drive End Bearing | Ball | Opp Drive End Bearing | Ball |
| Frame Material | Rolled Steel | Shaft Type | T |
| Overall Length | 11.97 in | Frame Length | 6.31 in |
| Shaft Diameter | 0.625 in | Shaft Extension | 2 in |
| Assembly/Box Mounting | F1 Only | | |
| Outline Drawing | B-104196-631 | Connection Diagram | 102005-84 |

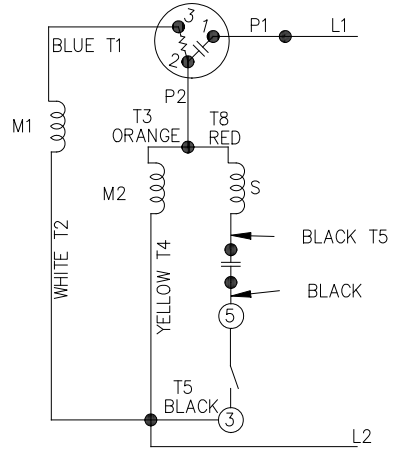
This is an uncontrolled document once printed or downloaded and is subject to change without notice. Date Created: 06/29/2018



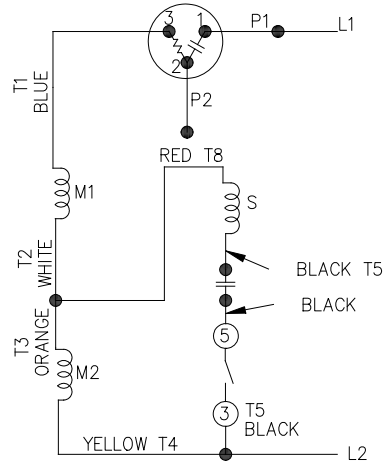
| DASH | (C) | BS | | | |
|------|-------|------|--|--|--|
| 631 | 11.97 | 4.15 | | | |
| 681 | 12.47 | 4.65 | | | |
| 731 | 12.97 | 5.15 | | | |
| 781 | 13.47 | 5.65 | | | |
| 831 | 13.97 | 6.15 | | | |
| 881 | 14.47 | 6.65 | | | |
| 931 | 14.97 | 7.15 | | | |
| 981 | 15.47 | 7.65 | | | |

| NO. | REVISION | BY & DATE | CHK | ANG | TOLERANCES UNLESS SPECIFIED | FINISH | MATERIAL | PREV | DRAWING NO. PAGE OF REV. | | | | |
|-----|--|----------------|-----|-------|-----------------------------|--------|--------------------------------------|------|--------------------------|-------------|------|-------------|------|
| | | | | | | | | | DEC. | INCHES | SIZE | DRAWING NO. | PAGE |
| 5 | COND. BOX INSTALLED VIEW UPDATED PER ECR-0044571 | UD 10/15/13 | ST | | | | | | DRAWN MH 12-10-1996 | | | | |
| 4 | REVISED C'BOX PER CN40784A | JJB 02/23/2007 | ML | .X | ±.1 | | | | CHK ML 01-13-1997 | | | | |
| 3 | REDRAWN IN AUTOCAD | TAT 06-28-2004 | ML | .XX | ±.03 | | | | APPD GK 01-13-1997 | | | | |
| 2 | ADDED CONDUIT BOX VIEW CN 26686 | MRB 03-22-1999 | | .XXX | ±.005 | | TITLE OUTLINE | | SCALE 17=32 | | | | |
| 1 | NEW DRAWING CN 23099 | MH 01-13-1997 | | .XXXX | ±.0005 | | 56 FRAME - EXP. PR. - TENV - 1ø & 3ø | | REF | | | | |
| | | | | | | | | | FMF | | | | |
| | | | | | | | | | PREV | | | | |
| | THIS DRAWING IN DESIGN AND DETAIL IS OUR PROPERTY AND MUST NOT BE USED EXCEPT IN CONNECTION WITH OUR WORK ALL RIGHTS OF DESIGN AND INVENTION ARE RESERVED THIS IS AN ELECTRONICALLY GENERATED DOCUMENT - DO NOT SCALE THIS PRINT | | | | | RFP | CAD FILE 104196 | | SIZE | DRAWING NO. | PAGE | OF | REV. |
| | | | | | DIST | WP | | B | 104196 | | | | 5 |

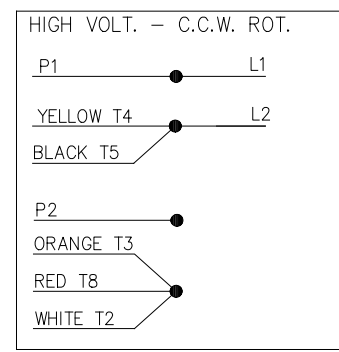
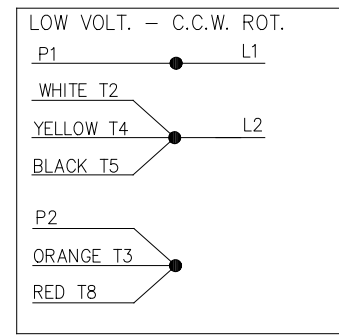
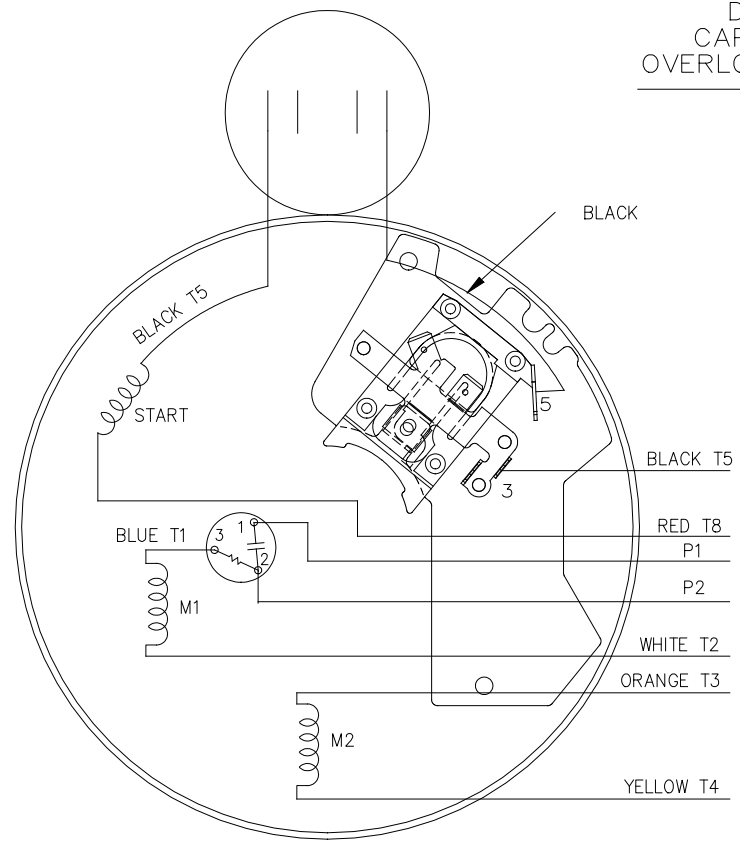
LOW VOLTAGE - C.C.W.



HIGH VOLTAGE - C.C.W.



DUAL VOLTAGE
CAPACITOR START
OVERLOAD SELECT ROT.



FOR C.W. ROTATION
EITHER VOLTAGE
INTERCHANGE RED(T8)
WITH BLACK(T5) LEAD

| NO. | REVISION | BY & DATE | CHK | ANG | TOLERANCES UNLESS SPECIFIED | | FINISH | DRAWN PGK 07-16-1996 | | | | |
|--|--|----------------|-----|-------|-----------------------------|--------|--------------------------|----------------------|--------|-----------------------|---------|--------|
| | | | | | DEC. | INCHES | | | | | | |
| 5 | UPDATED TEMPLETE | MVG 12/11/2017 | PVR | .X | ±.1 | | | CHK MRB 07-18-1996 | | | | |
| 4 | REV'D CONNECTION TO MATCH ROTATION ISAAC 07-2021 | JJB 09/05/2007 | ML | .XX | ±.02 | | TITLE CONNECTION DIAGRAM | APPD GK 07-18-1996 | | | | |
| 3 | ADDED T NO.'S MU16064 | MH 08-09-1997 | | .XXX | ±.005 | | | SCALE 5=8 | | | | |
| 2 | REDRAWN ON CADD, NO CHANGES | PGK 07-18-1996 | | .XXXX | ±.0005 | | MAT'L. | REF | | | | |
| | | | | | ±7'30" | | | FMF | | | | |
| | | | | | | | | PREV | | | | |
| THIS DRAWING IN DESIGN AND DETAIL IS OUR PROPERTY AND MUST NOT BE USED EXCEPT IN CONNECTION WITH OUR WORK ALL RIGHTS OF DESIGN AND INVENTION ARE RESERVED THIS IS AN ELECTRONICALLY GENERATED DOCUMENT - DO NOT SCALE THIS PRINT | | | | | | | RFP | CAD FILE 102005_84 | SIZE A | DRAWING NO. 102005-84 | PAGE OF | REV. 5 |
| | | | | | | | DIST WP | | | | | |

