

PRODUCT INFORMATION PACKET

marathon[®]
Motors

Model No: 056C17E15513
Catalog No: G639A
.25,1800,EPNV,56,1/60/115/208-230
Explosion Proof



Regal and Marathon are trademarks of Regal Beloit Corporation or one of its affiliated companies.
©2018 Regal Beloit Corporation, All Rights Reserved. MC017097E

REGAL[®]



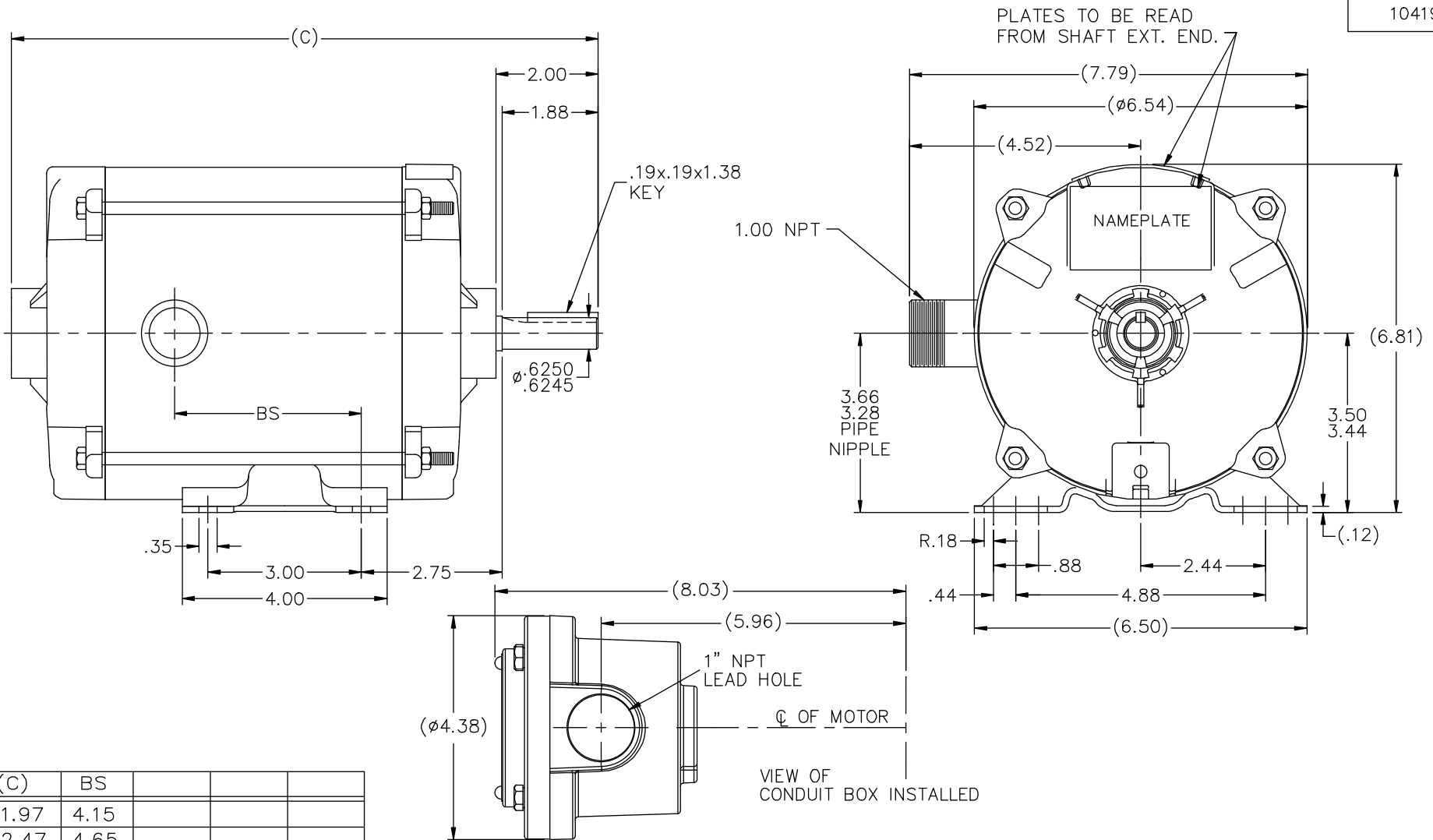
Nameplate Specifications

Output HP	0.25 Hp	Output KW	0.19 kW
Frequency	60 Hz	Voltage	115/208-230 V
Current	4.8/2.3-2.4 A	Speed	1725 rpm
Service Factor	1	Phase	1
Efficiency	65 %	Duty	Continuous
Insulation Class	B	Design Code	NO DESIGN CODE
KVA Code	P	Frame	56
Enclosure	Explosion Proof Non Ventilated	Overload Protector	Automatic
Ambient Temperature	40 °C	Drive End Bearing Size	6203
Opp Drive End Bearing Size	6203	UL	Recognized
CSA	N	CE	N
IP Code	54		

Technical Specifications

Electrical Type	Capacitor Start Induction Run	Starting Method	Across The Line
Poles	4	Rotation	Selective Counterclockwise
Mounting	Rigid base	Motor Orientation	HORIZONTAL
Drive End Bearing	BALL	Opp Drive End Bearing	BALL
Frame Material	Rolled Steel	Shaft Type	NEMA 56
Overall Length	11.97 in	Frame Length	6.31 in
Shaft Diameter	0.625 in	Shaft Extension	1.88 in
Assembly/Box Mounting	F1 ONLY		
Outline Drawing	104196-631	Connection Diagram	A-102005-84

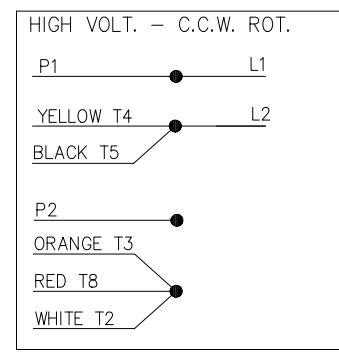
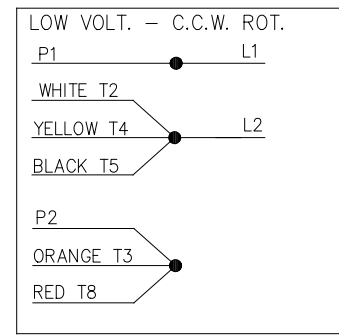
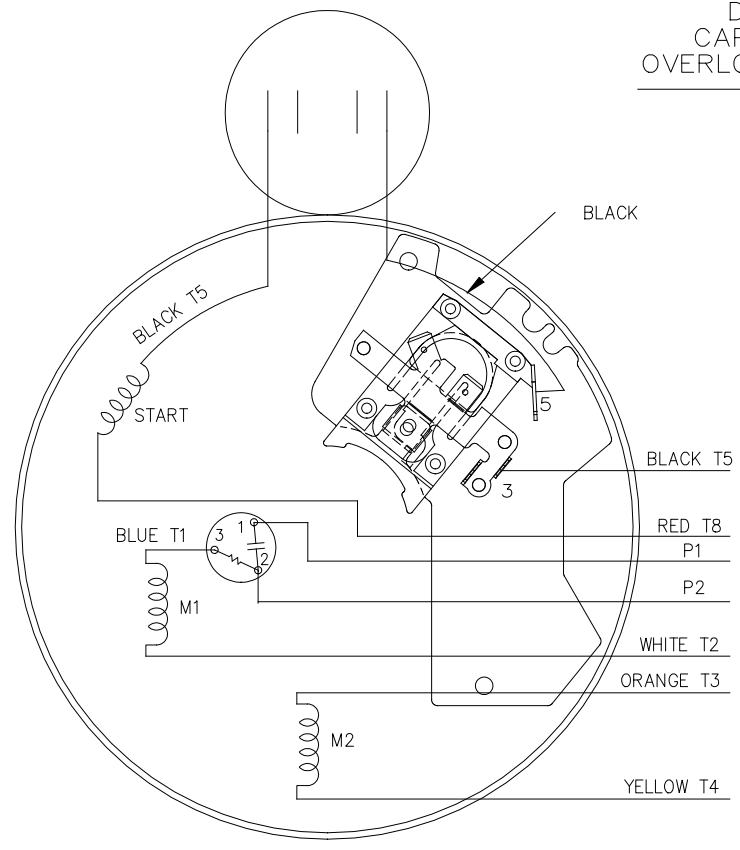
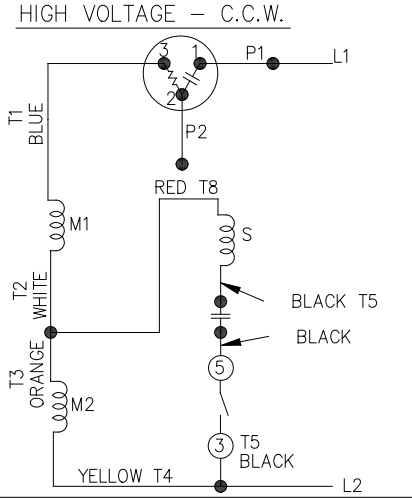
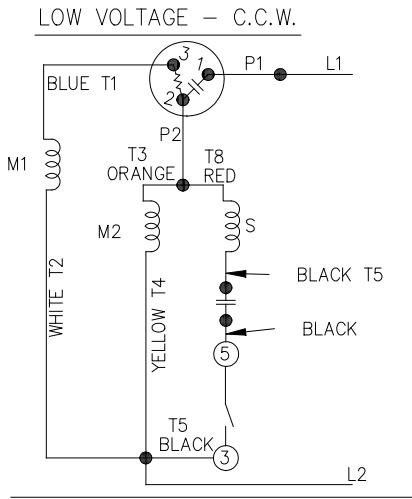
This is an uncontrolled document once printed or downloaded and is subject to change without notice. Date Created: 10/30/2018



DASH	(C)	BS			
631	11.97	4.15			
681	12.47	4.65			
731	12.97	5.15			
781	13.47	5.65			
831	13.97	6.15			
881	14.47	6.65			
931	14.97	7.15			
981	15.47	7.65			

NO.	REVISION	BY & DATE	CHK	ANG	TOLERANCES UNLESS SPECIFIED	INCHES	MARATHON ELECTRIC	DRAWN MH 12-10-1996
5	COND. BOX INSTALLED VIEW UPDATED PER ECR-0044571	UD 10/15/13	ST					CHK ML 01-13-1997
4	REVISED C'BOX PER CN40784A	JJB 02/23/2007	ML	.X	±.1			APPD GK 01-13-1997
3	REDRAWN IN AUTOCAD	TAT 06-28-2004	ML	.XX	±.03		TITLE OUTLINE	SCALE 17=32
2	ADDED CONDUIT BOX VIEW CN 26686	MRB 03-22-1999		.XXX	±.005		56 FRAME - EXP. PR. - TENV - 1φ & 3φ	REF
1	NEW DRAWING CN 23099	MH 01-13-1997		.XXXX	±.0005		MAT'L.	FMF
THIS DRAWING IN DESIGN AND DETAIL IS OUR PROPERTY AND MUST NOT BE USED EXCEPT IN CONNECTION WITH OUR WORK ALL RIGHTS OF DESIGN AND INVENTION ARE RESERVED THIS IS AN ELECTRONICALLY GENERATED DOCUMENT - DO NOT SCALE THIS PRINT						RFP	CAD FILE 104196	SIZE DRAWING NO. PAGE OF REV. B 104196 5
						DIST WP		

DUAL VOLTAGE
CAPACITOR START
OVERLOAD SELECT ROT.



FOR C.W. ROTATION
EITHER VOLTAGE
INTERCHANGE RED(T8)
WITH BLACK(T5) LEAD

NO.	REVISION	BY & DATE	CHK	ANG	TOLERANCES UNLESS SPECIFIED		FINISH	DRAWN PGK 07-16-1996				
					DEC.	INCHES						
5	UPDATED TEMPLETE	MVG 12/11/2017	PVR	.X	±.1			CHK MRB 07-18-1996				
4	REV'D CONNECTION TO MATCH ROTATION ISAAC 07-2021	JJB 09/05/2007	ML	.XX	±.02		TITLE CONNECTION DIAGRAM	APPD GK 07-18-1996				
3	ADDED T NO.'S MU16064	MH 08-09-1997		.XXX	±.005			SCALE 5=8				
2	REDRAWN ON CADD, NO CHANGES	PGK 07-18-1996		.XXXX	±.0005		MAT'L.	REF				
					±7'30"			FMF				
								PREV				
THIS DRAWING IN DESIGN AND DETAIL IS OUR PROPERTY AND MUST NOT BE USED EXCEPT IN CONNECTION WITH OUR WORK ALL RIGHTS OF DESIGN AND INVENTION ARE RESERVED THIS IS AN ELECTRONICALLY GENERATED DOCUMENT - DO NOT SCALE THIS PRINT							RFP	CAD FILE 102005_84	SIZE A	DRAWING NO. 102005-84	PAGE OF 5	REV. 5
							DIST WP					

